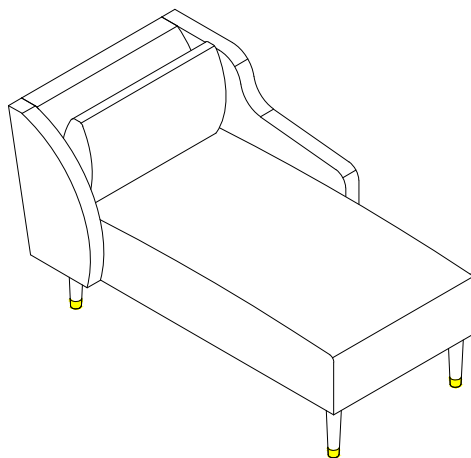

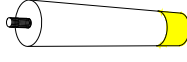



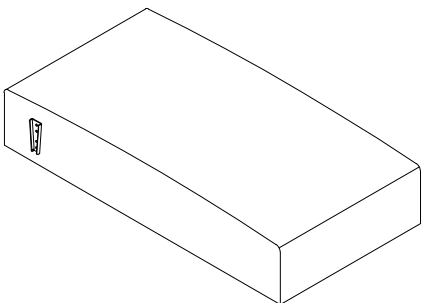
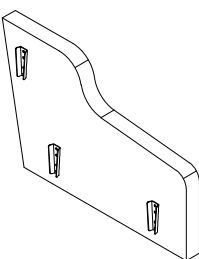
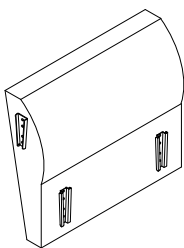
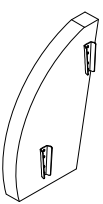
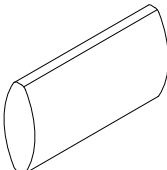


① ASSEMBLY INSTRUCTION

MODEL NO.HC5636

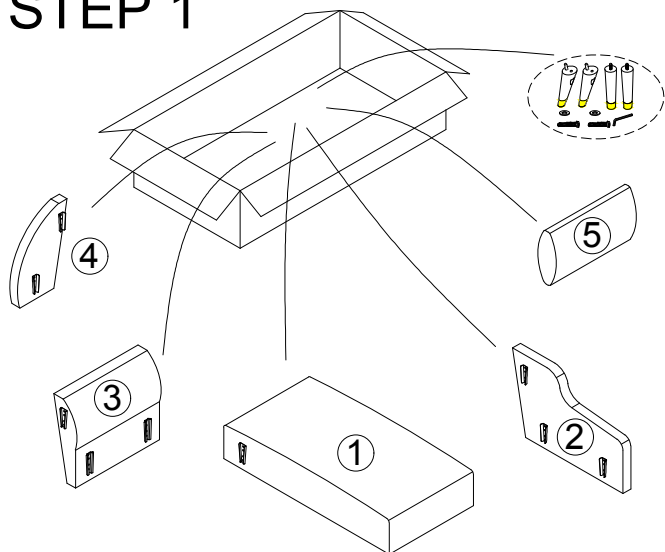


Components/QTY	Components/QTY	Components/QTY
A 2PCS 	B 2PCS 	C 2PCS 
D 2PCS 	E 1PC 	
<p>① 1PC</p> 	<p>② 1PC</p> 	
<p>③ 1PC</p> 	<p>④ 1PC</p> 	<p>⑤ 1PC</p> 

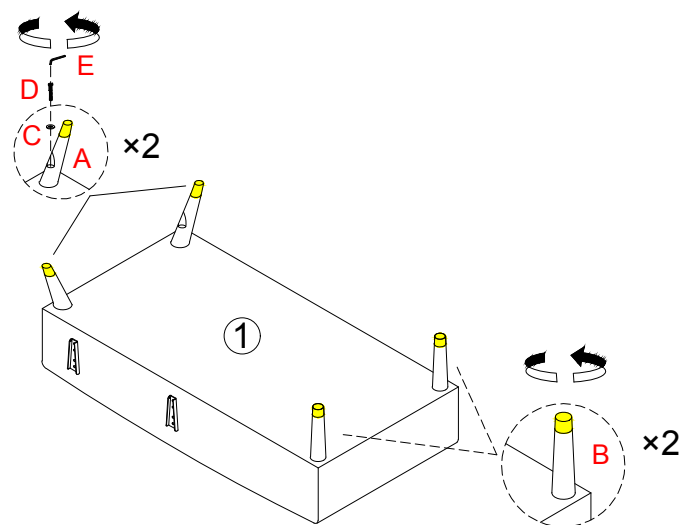
② ASSEMBLY INSTRUCTION

MODEL NO.HC5636

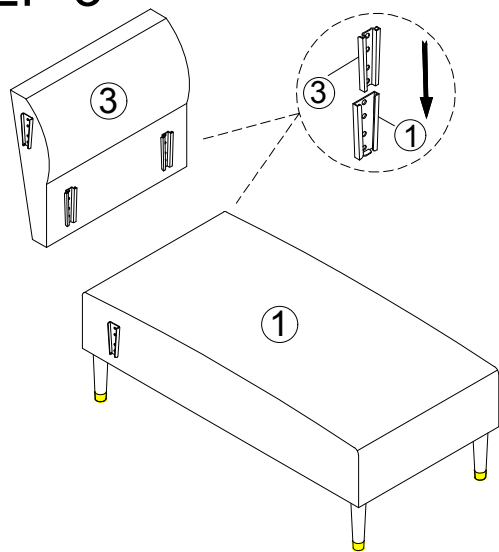
STEP 1



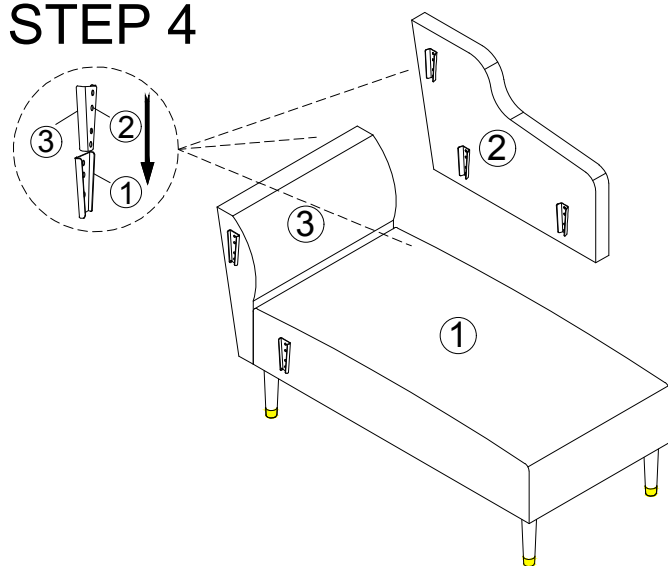
STEP 2



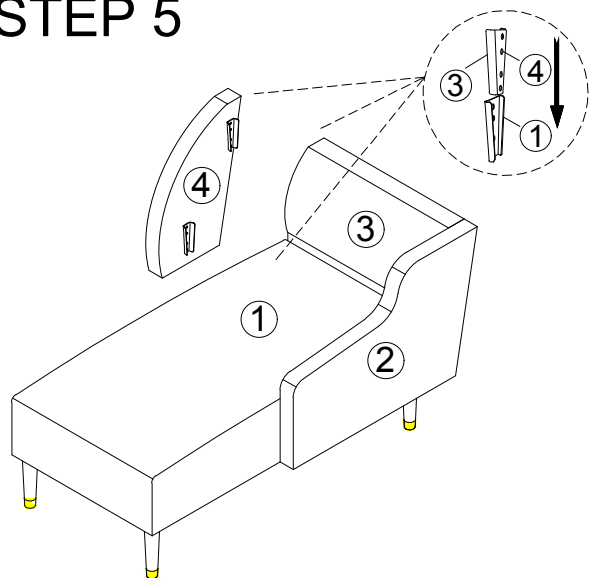
STEP 3



STEP 4



STEP 5



STEP 6

