

USER'S MANUAL
CORNER SOFA SET
A0005-GRCG
A0005-GRCC



**280 LBS
CHAIR
CAPACITY**



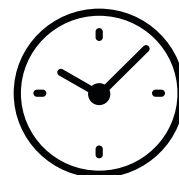
**570 LBS
SOFA
CAPACITY**



**110 LBS
TABLE
CAPACITY**



**1 PERSON
ASSEMBLY**



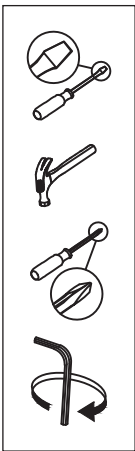
**APPROXIMATELY
60 MIN.
ASSEMBLY**

Contact Us!

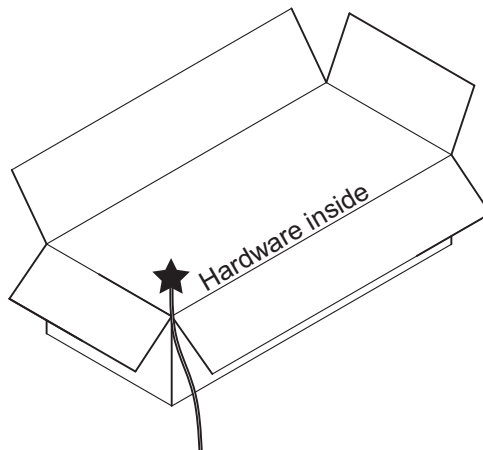
Need Help! Do NOT return this item.

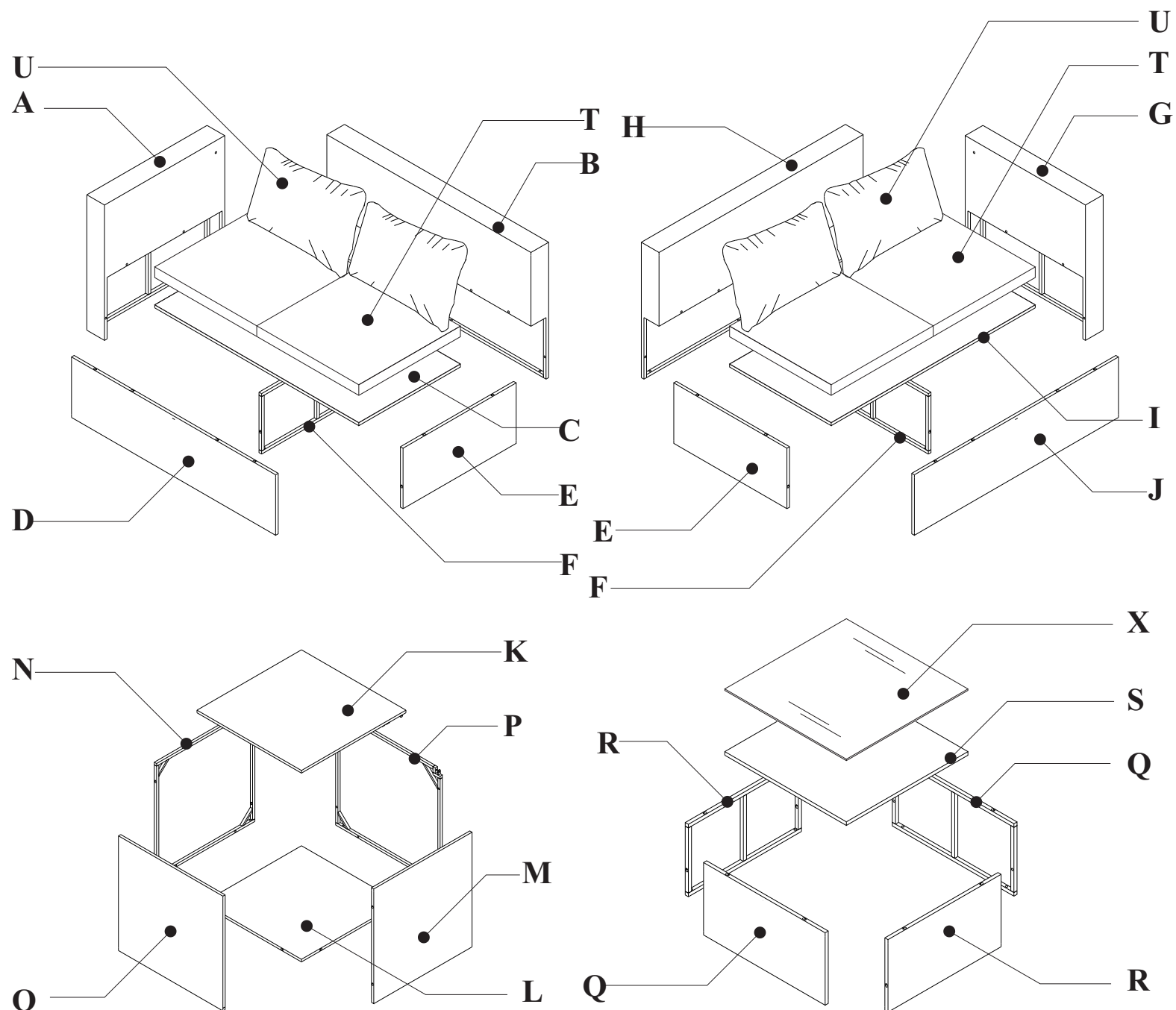
Contact our friendly customer service department for help first.

Before You Start



- Please do not exceed the weight limitation of each items
- Do not stand on or use any part of this item as step ladder
- Read each step carefully before starting. It is very important to ensure each step followed in correct order, otherwise assembly difficulties may occur.
- Most of board parts are labeled or stamped on the raw edges. Have a check to make sure all parts are included.
- Work in a spacious area, preferably on a carpet close to where the unit will be used.
- Keep the handtools close at hand. Do not use power tools to assemble your furniture. They may scratch or damage the parts.
- Manufacturer and seller expressly disclaim any and all liability for personal injury, property damage or loss, whether direct, indirect, or incidental, resulting from incorrect attachment, improper use, inadequate maintenance, or neglect of this product.
- To entitle refund, all return must in its original product packaging with all accessories are included. Pictures return may required as evidence and the responsibilities will pass to us untill the item has been received by our side. All returned fee under customer's expense.

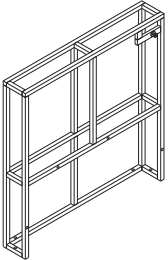




Notice:

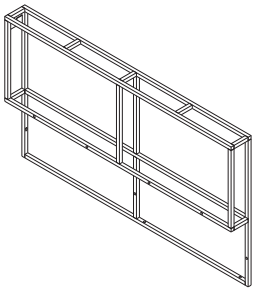
1. 50% Tighten before fixing all screws, Allen wrench is recommended instead of an electric drill.
2. Place the item on a flat ground to adjust and make sure it remains stable.
3. Tighten up all screws with tools gradually.
4. If the screws are not aligned with holes during assembly, please loosen all the other screws to 50% and continue the assembly process.
5. If the item is not stable, please loosen all the screws, adjust it on a flat ground and tighten up all screws again.
6. Note : If one or some screws are fully tightened during assembly, chances are the others will not be aligned with holes. In addition, all the holes are designed to be relatively larger to provide more space for the adjustment of the screws.

A



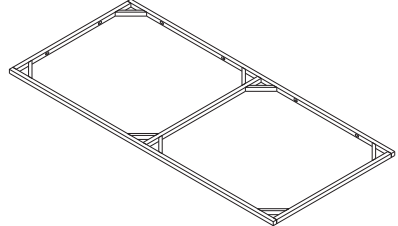
Right Frame (1 pc)

B



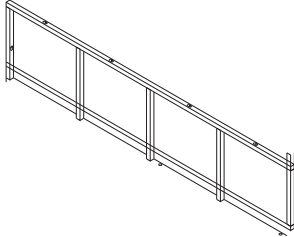
Right Back Frame (1 pc)

C



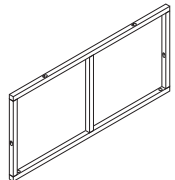
Right Seat Frame (1 pc)

D



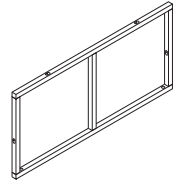
Right Front Frame (1 pc)

E



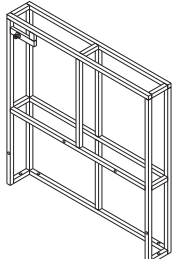
Side Frame (2 pcs)

F



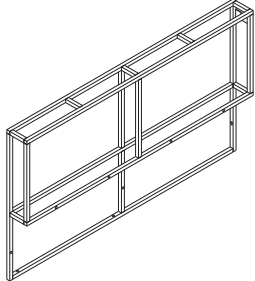
Inner Frame (2 pcs)

G



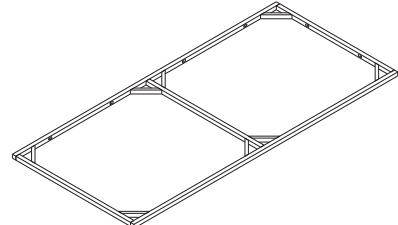
Left Frame (1 pc)

H



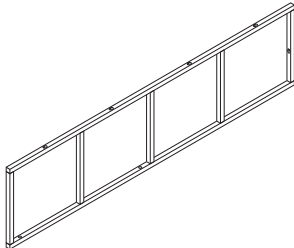
Left Back Frame (1 pc)

I



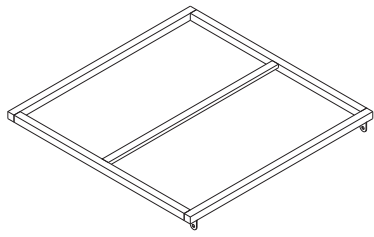
Left Seat Frame (1 pc)

J



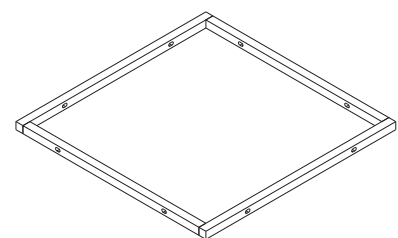
Left Front Frame (1 pc)

K



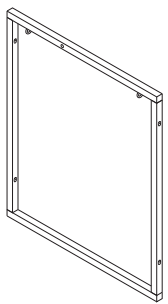
Box Cover Frame (1 pc)

L



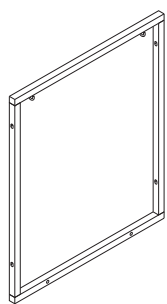
Box Bottom Frame (1 pc)

M



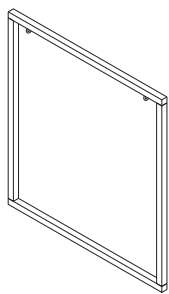
Box Left Frame (1 pc)

N



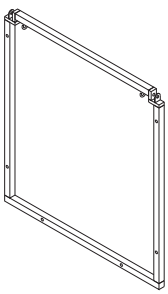
Box Right Frame (1 pc)

O



Box Front Frame (1 pc)

P



Box Behind Frame (1 pc)

Q

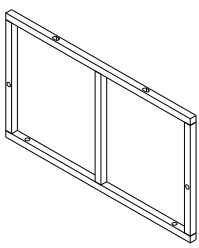


Table Big Side Frame (2 pcs)

R

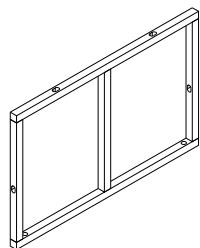


Table Small Side Frame (2 pcs)

S

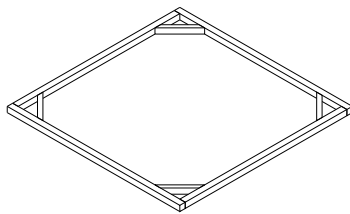
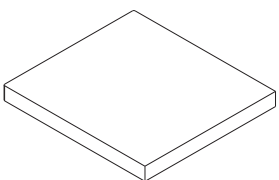


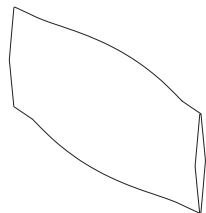
Table Top (1 pc)

T



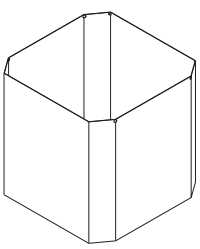
Bench Cushion (4 pcs)

U



Back Pillow (4 pcs)

V



Fabric (1 pc)

X

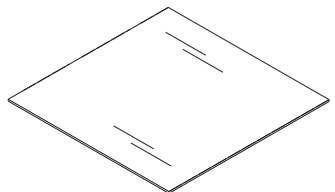
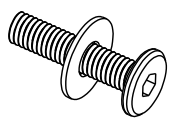


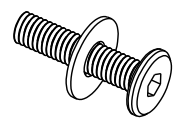
Table Glass (1 pc)

1



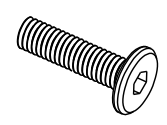
Bolt M6x35 mm (60 pcs)

2



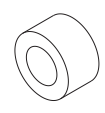
Bolt M6x30 mm (11 pcs)

3



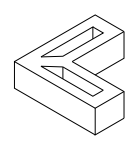
Bolt M6x25 mm (40 pcs)

4



Washer M8x10 mm (1 pc)

5



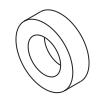
Sofa Leg (20 pcs)

6



Allen key (1 pc)

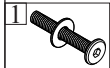
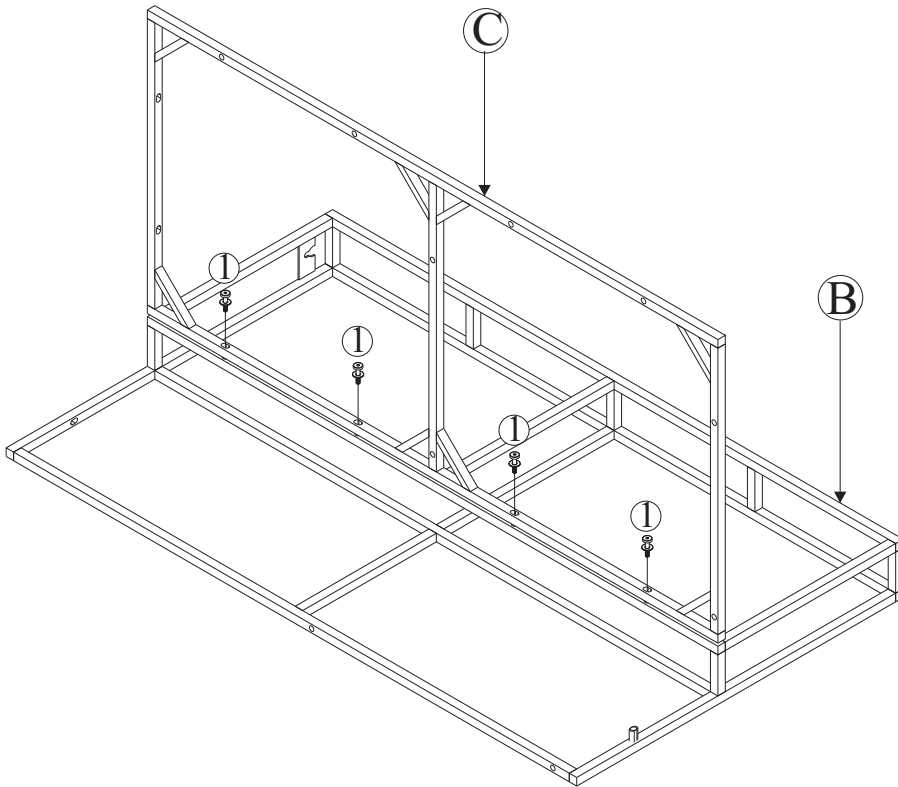
7



Washer M8x2 mm (4 pcs)

STEP 1

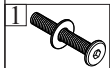
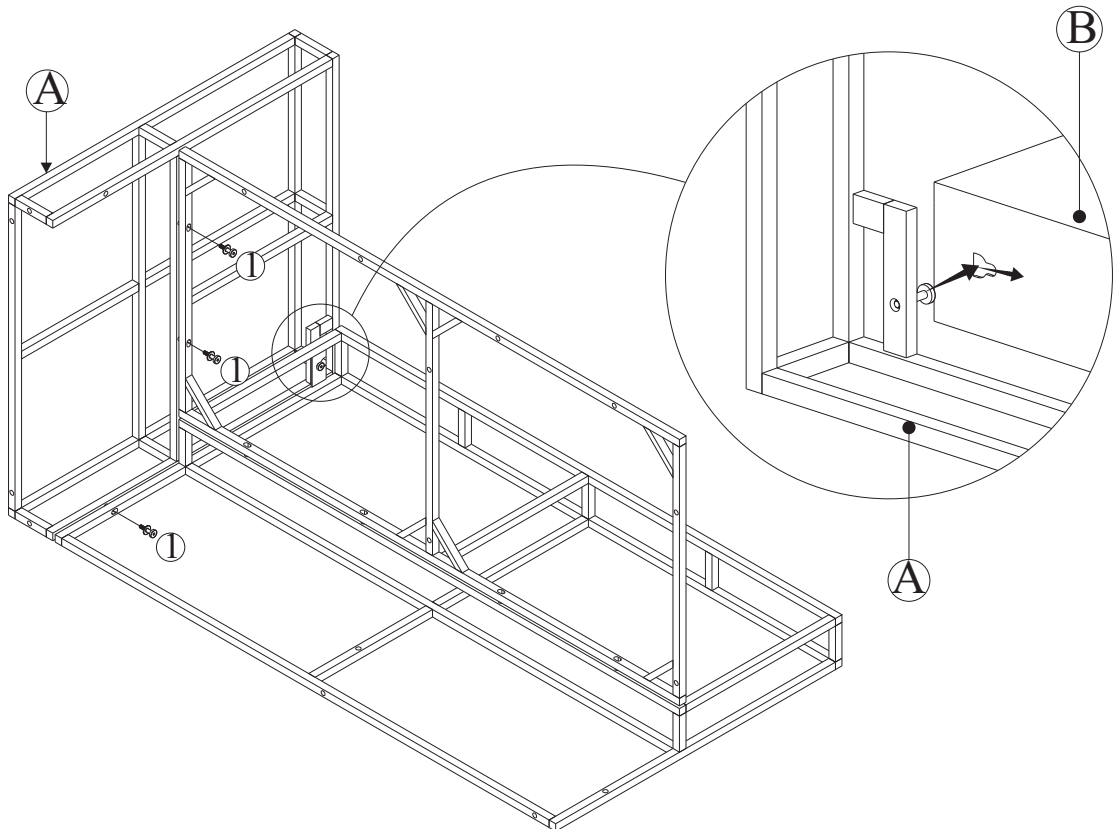
Connect Right Back Frame (B) & Right Seat Frame (C) with Bolt (1)



4 pcs

STEP 2

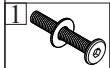
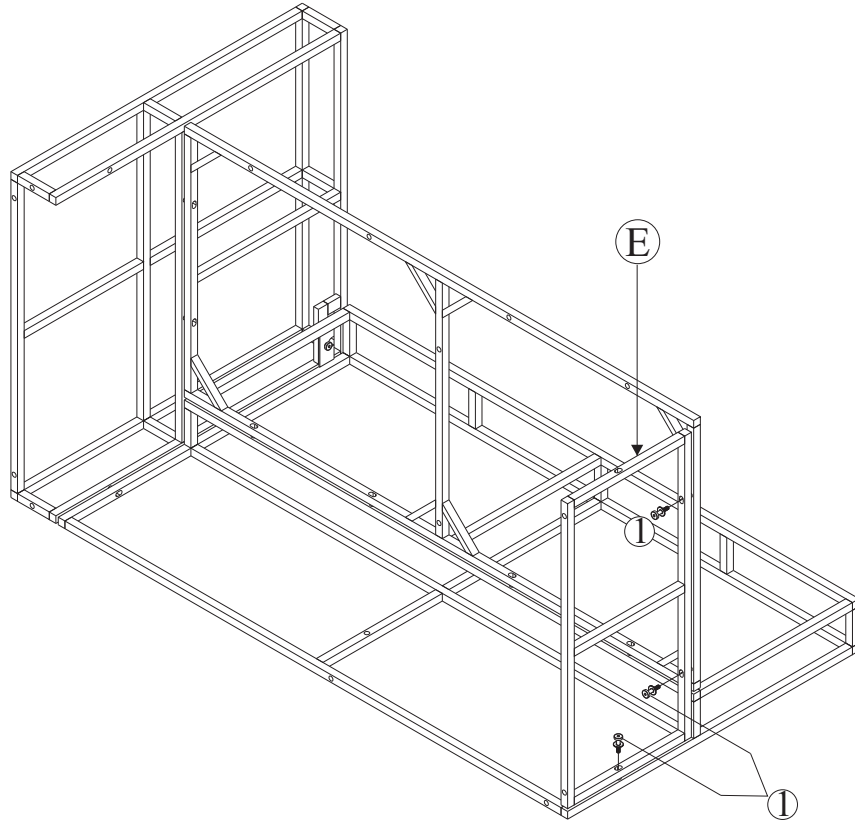
Connect part from STEP 1 & Right Frame (A) with Bolt (1)



3 pcs

STEP 3

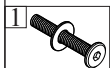
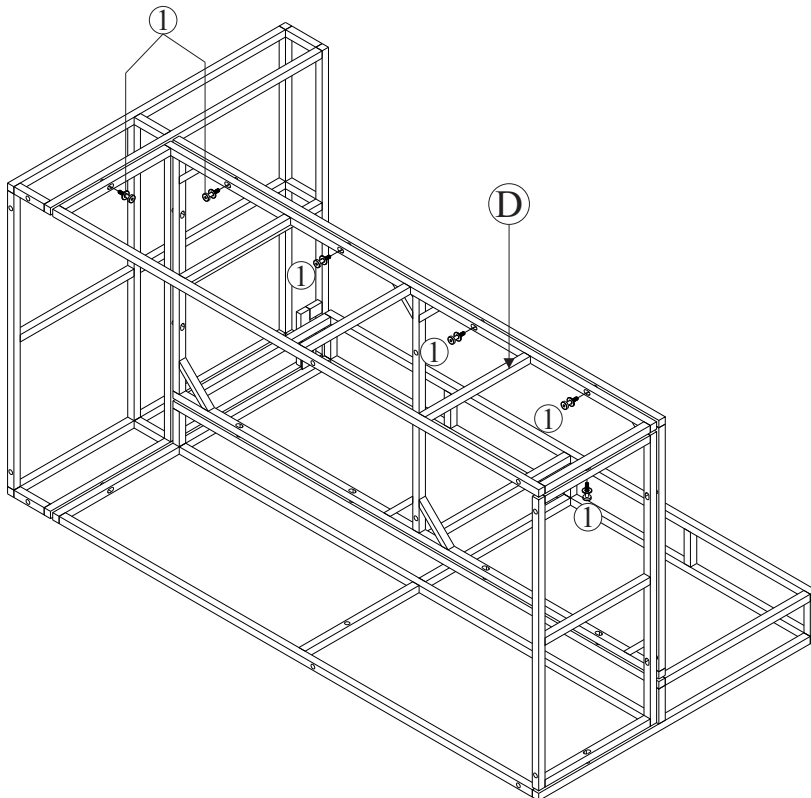
Connect part from STEP 2 & Side Frame (E) with Bolt (1)



3 pcs

STEP 4

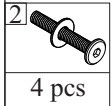
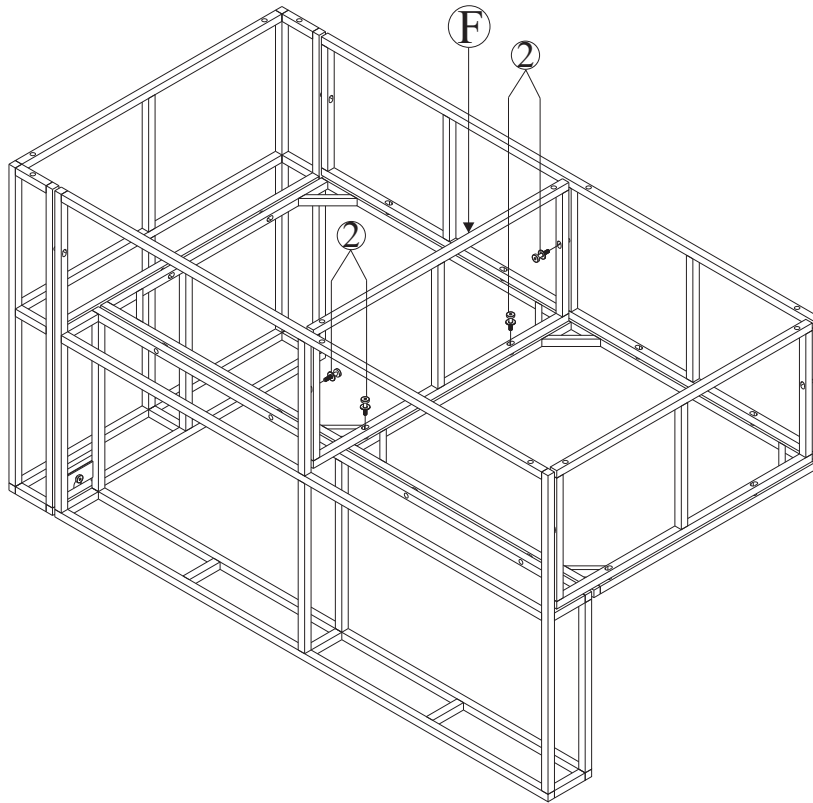
Connect part from STEP 3 & Right Front Frame (D) with Bolt (1)



6 pcs

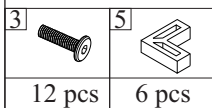
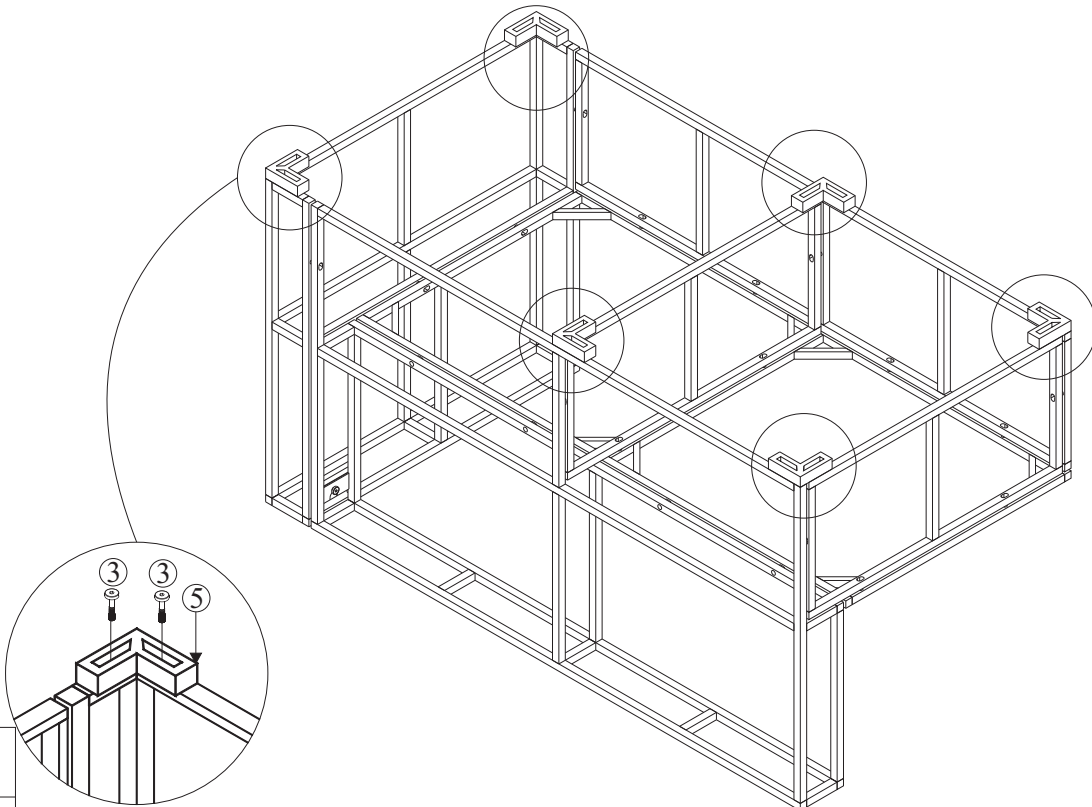
STEP 5

Connect part from STEP 4 & Inner Frame (F) with Bolt (2)



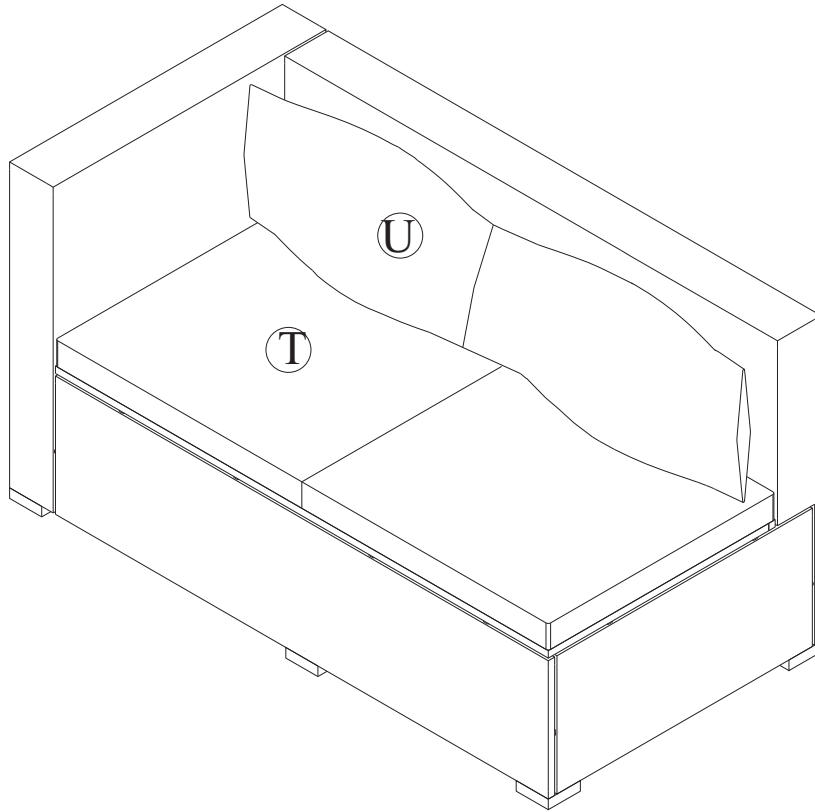
STEP 6

Connect part from STEP 5 & Sofa Leg (5) with Bolt (3)



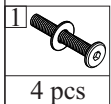
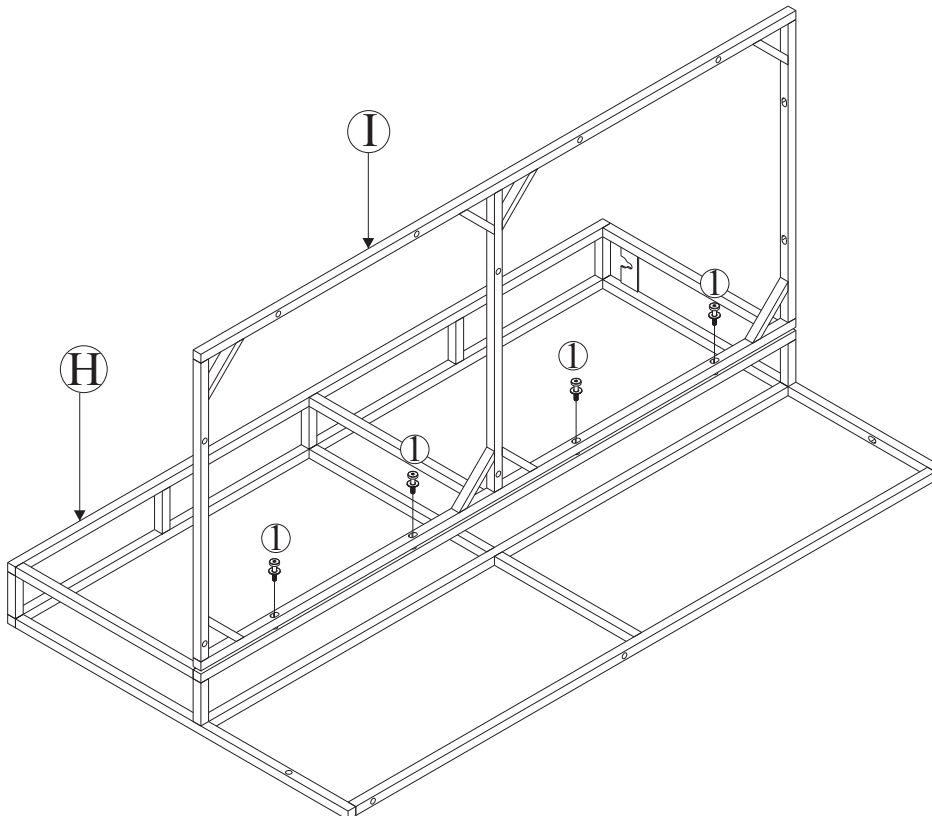
STEP 7

Put on Bench Cushion (T) & Back Pillow (U) to complete right bench



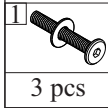
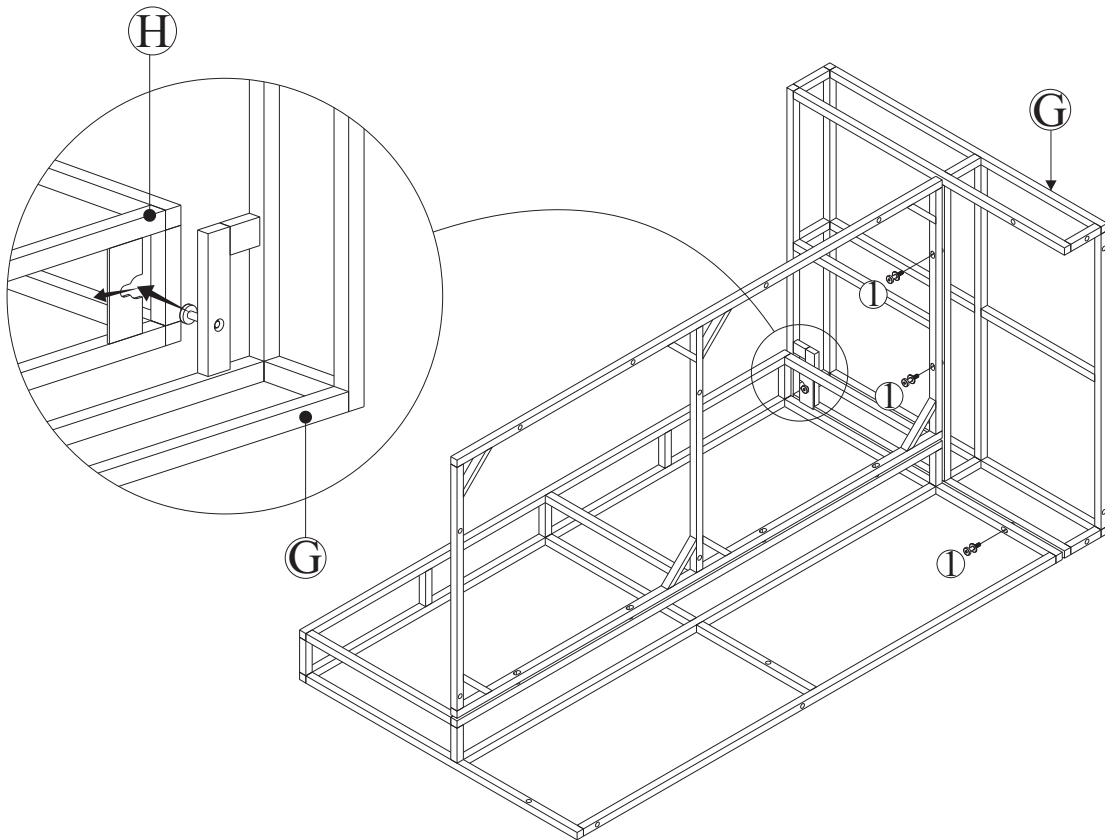
STEP 8

Connect Left Back Frame (H) & Left Seat Frame (I) with Bolt (1)



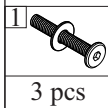
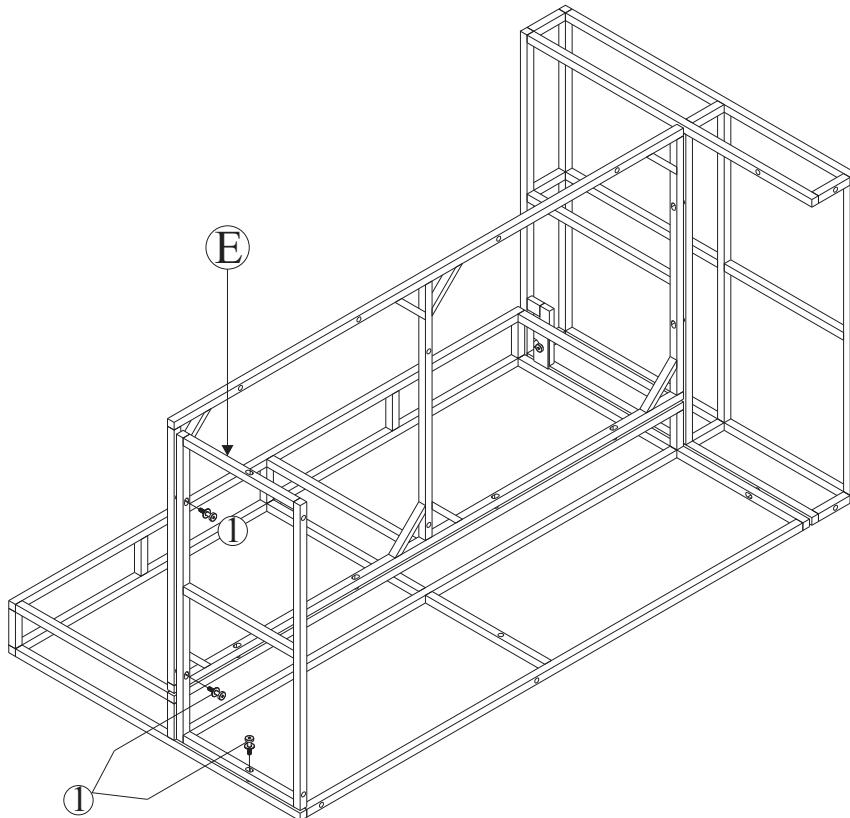
STEP 9

Connect part from STEP 8 & Left Frame (G) with Bolt (1)



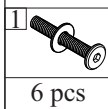
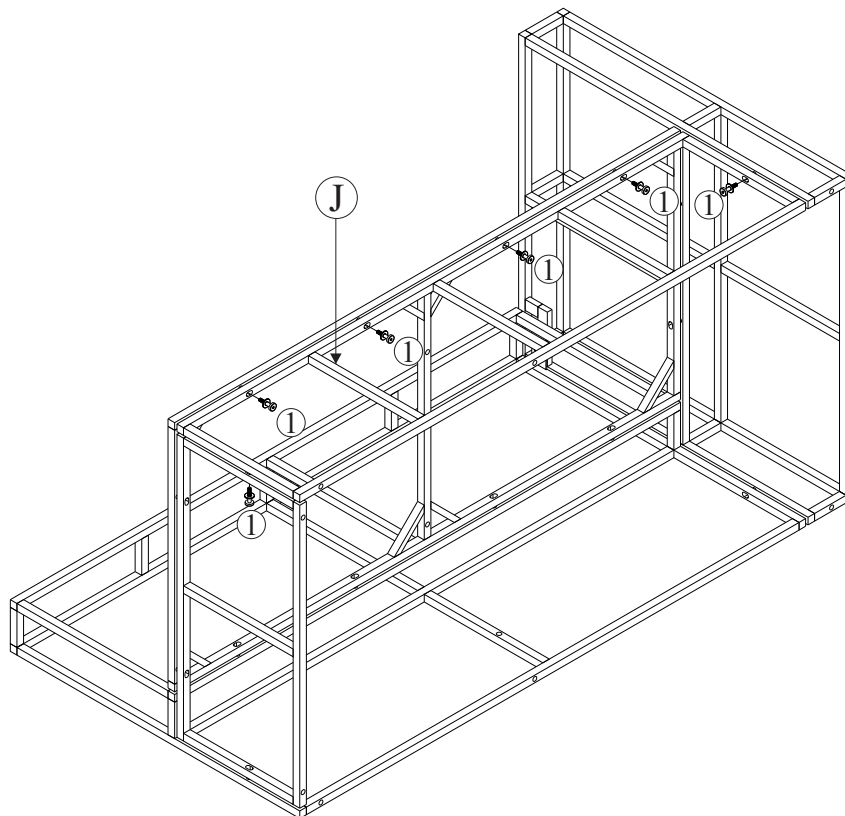
STEP 10

Connect part from STEP 9 & Side Frame (E) with Bolt (1)



STEP 11

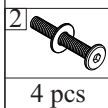
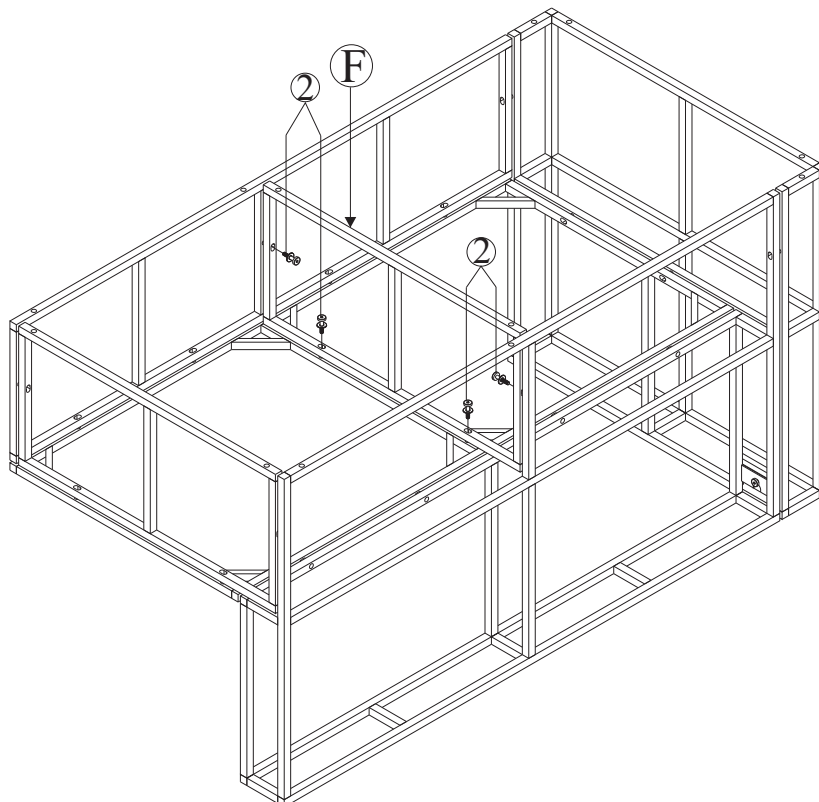
Connect part from STEP 10 & Left Front Frame (J) with Bolt (1)



6 pcs

STEP 12

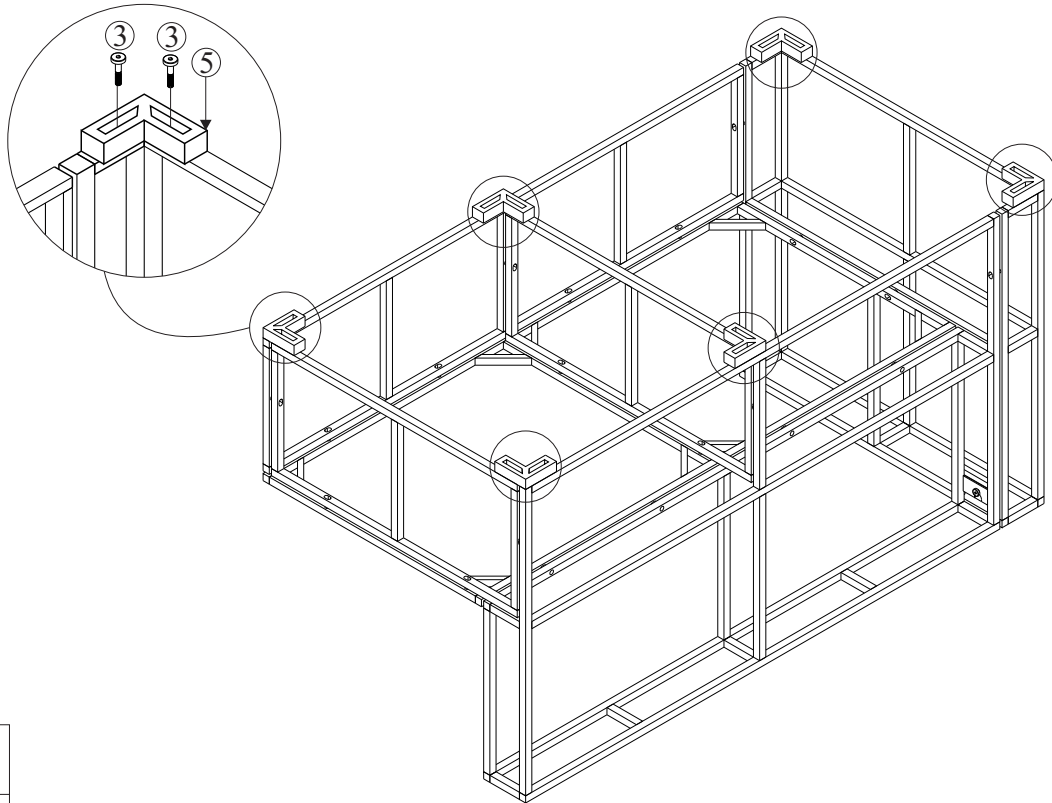
Connect part from STEP 11 & Inner Frame (F) with Bolt (2)





4 pcs

STEP 13

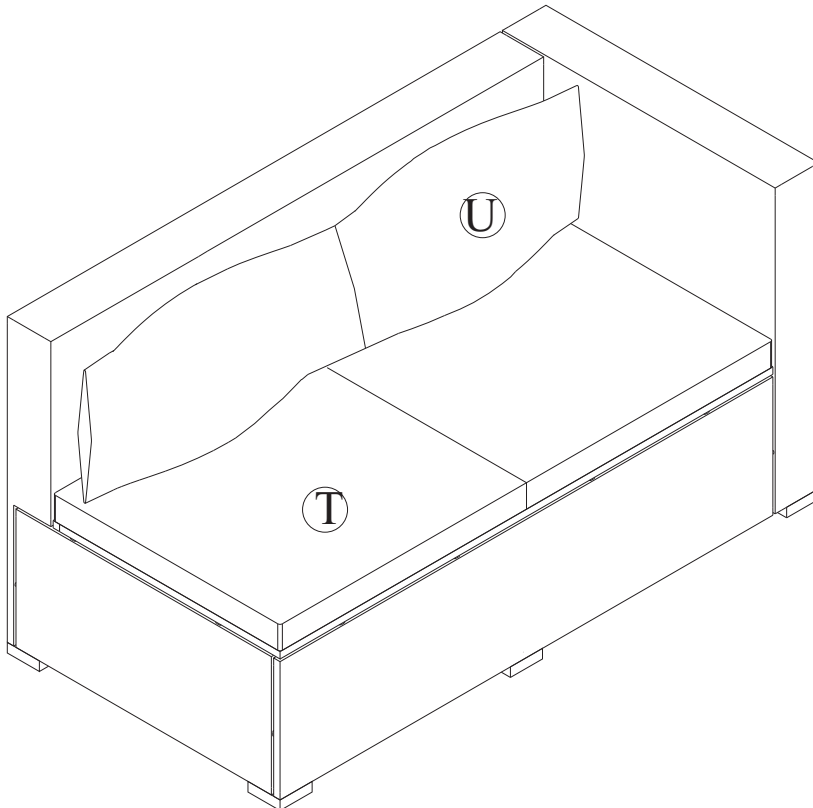
Connect part from STEP 12 & Sofa Leg (5) with Bolt (3)



	
12 pcs	6 pcs

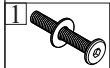
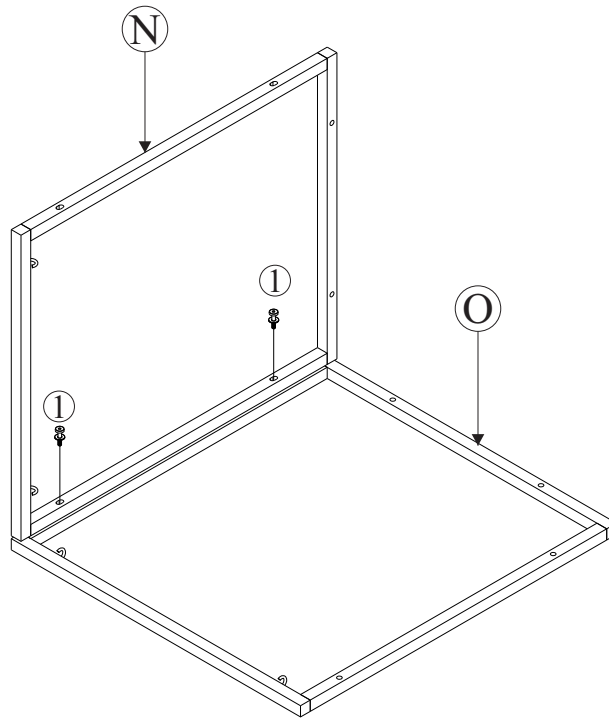
STEP 14

Put on Bench Cushion (T) & Back Pillow (U) to complete left bench



STEP 15

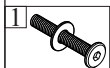
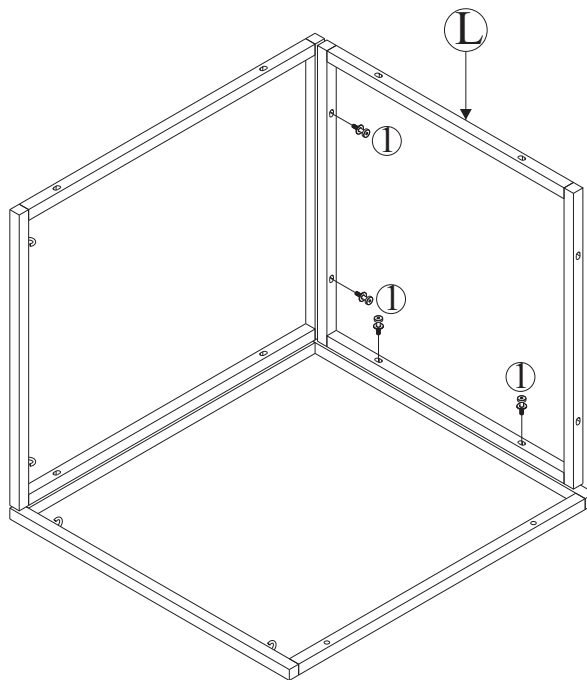
Connect Box Right Frame (N) & Box Front Frame (O) with Bolt (1)



2 pcs

STEP 16

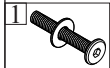
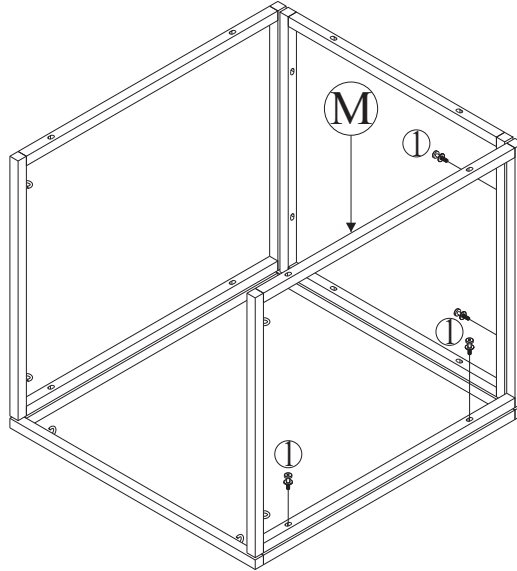
Connect part from STEP 15 & Box Bottom Frame (L) with Bolt (1)



4 pcs

STEP 17

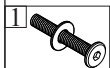
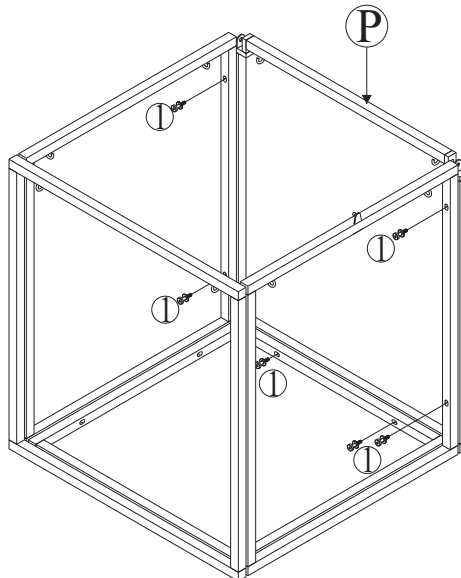
Connect part from STEP 16 & Box Left Frame (M) with Bolt (1)



4 pcs

STEP 18

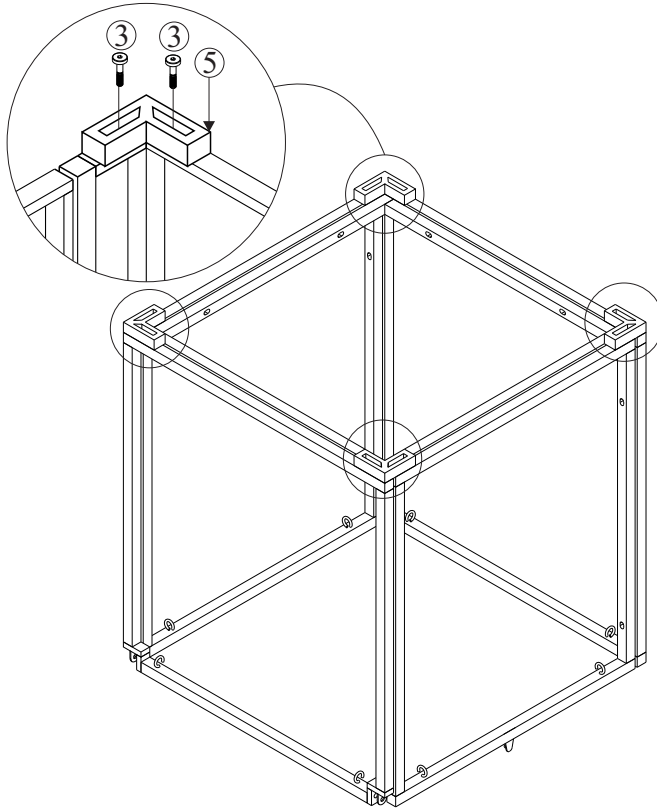
Connect part from STEP 17 & Box Behind Frame (P) with Bolt (1)





6 pcs

STEP 19

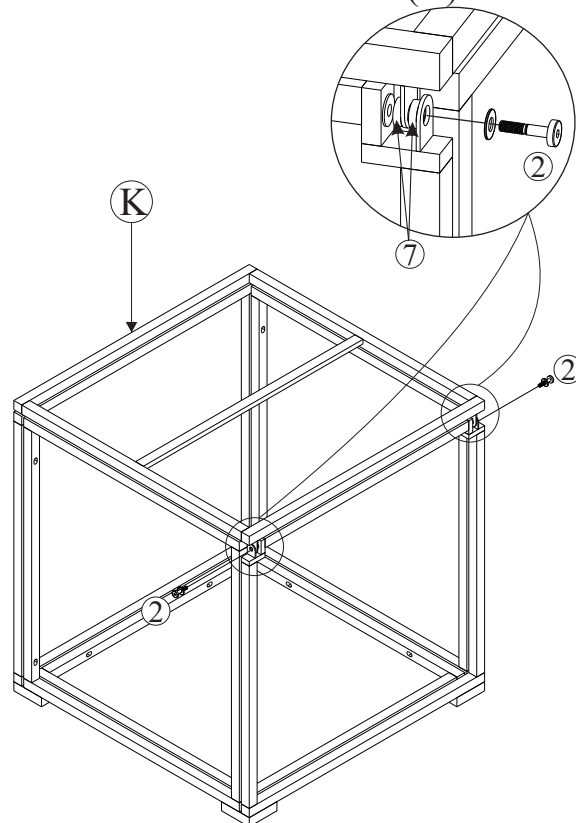
Connect part from STEP 18 & Sofa Leg (5) with Bolt (3)





	
8 pcs	4 pcs

STEP 20

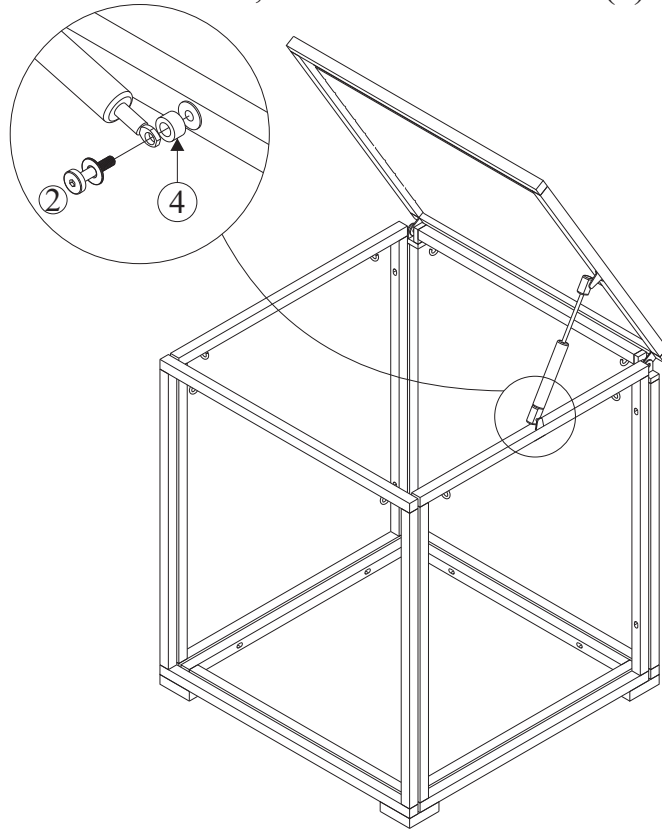
Connect part from STEP 19 & Box Cover Frame (K) with Bolt (2) & Washer M8 (7)





	
2 pcs	4 pcs

STEP 21

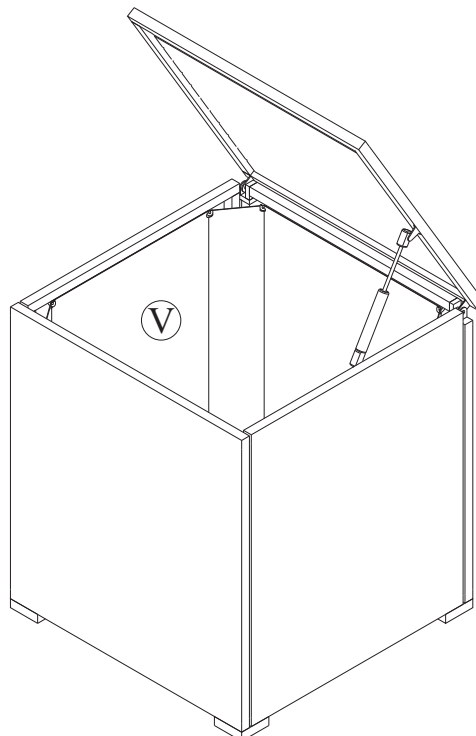
Connect part from STEP 20, Gaslift & Washer M8 (4) with Bolt (2)



2	4
	
1 pc	1 pc

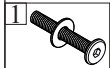
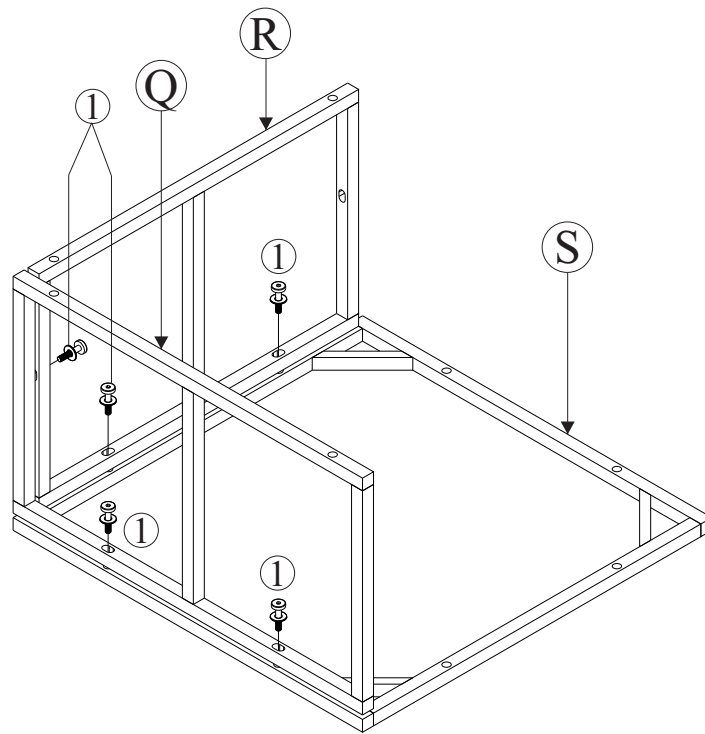
STEP 22

Connect part from STEP 21 & Fabric (V) to complete cushion box.



STEP 23

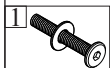
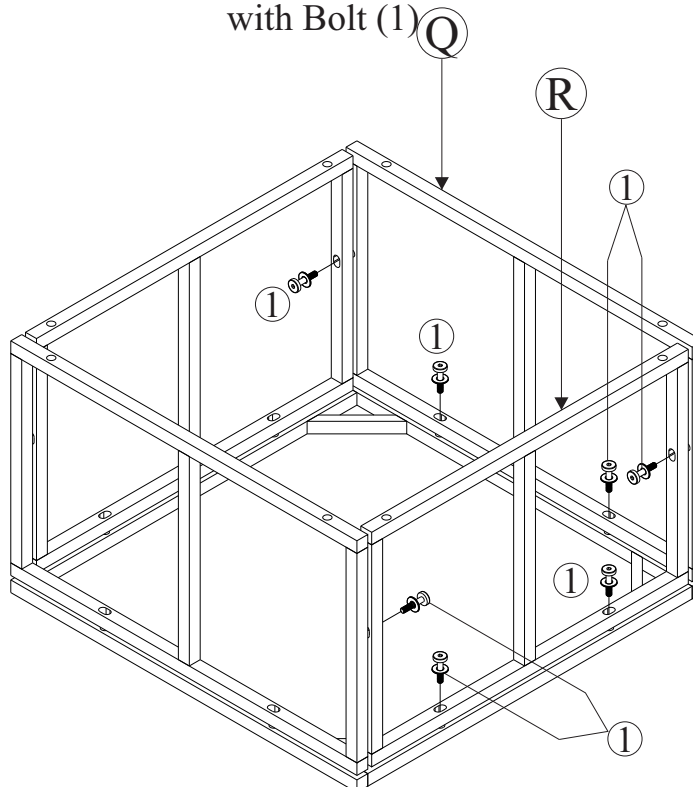
Connect Table Big Side Frame (Q), Table Small Side Frame (R) & Table Top (S) with Bolt (1)



5 pcs

STEP 24

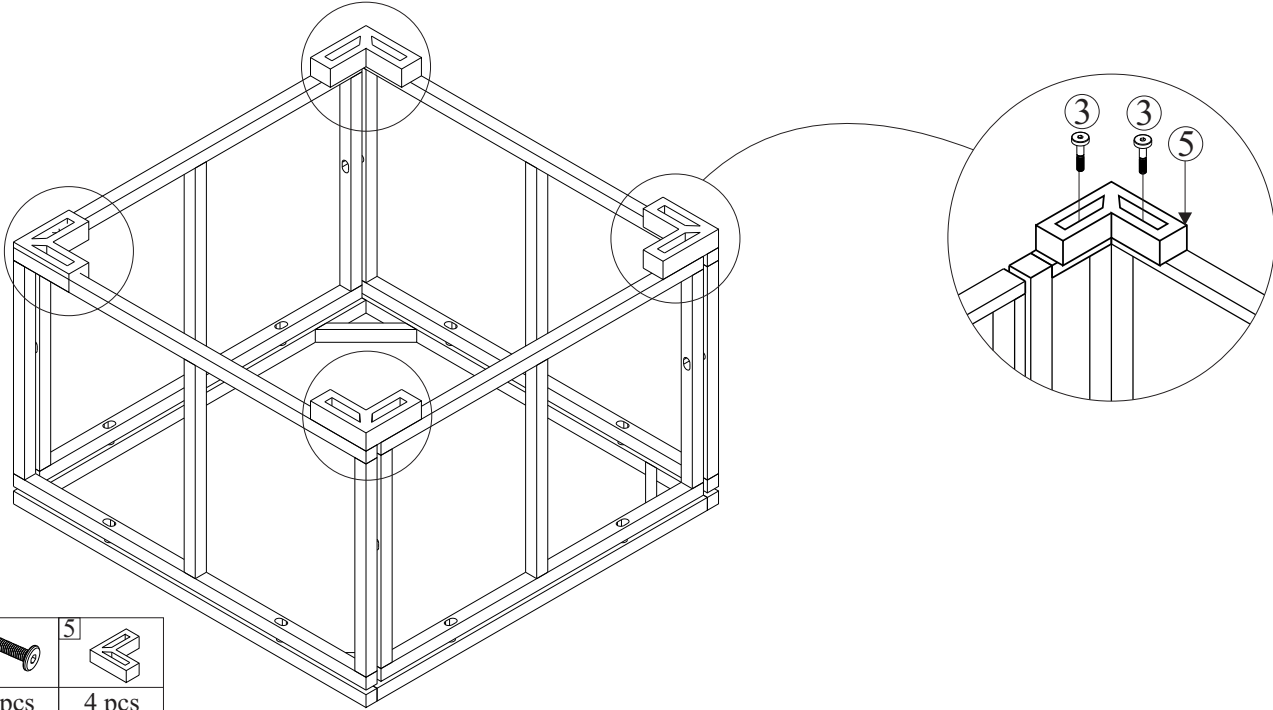
Connect part from STEP 23, Table Big Side Frame (Q) & Table Small Side Frame (R) with Bolt (1)



7 pcs

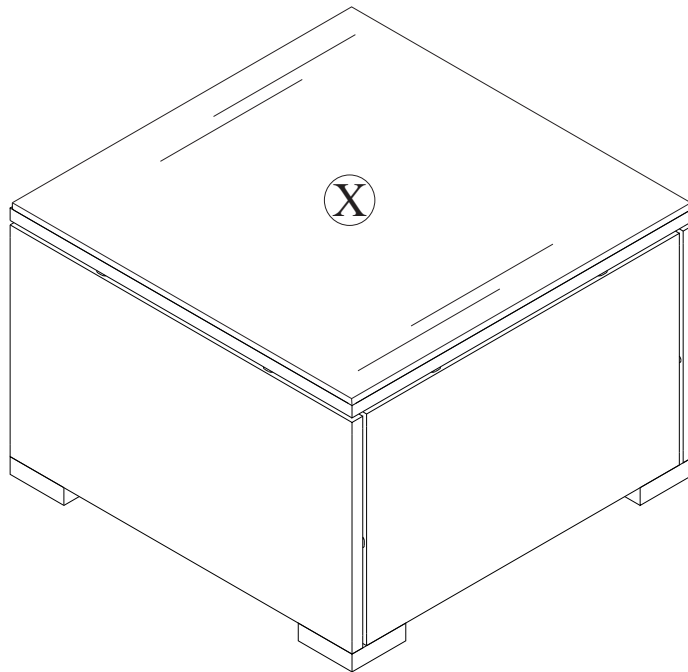
STEP 25

Connect part from STEP 24 & Sofa Leg (5) with Bolt (3)



STEP 26

Put on Table Glass (X) to complete table



Care and Maintenance

Use a soft, clean cloth that will not scratch the surface when dusting.

Use of furniture polish is not necessary.

Should you choose to use polish, test first in an inconspicuous area.

Using solvents of any kind on your furniture may damage the finish.

Liquid spills should be removed immediately. Using a soft clean cloth, blot the spill gently. Avoid rubbing.

Check bolts/screws periodically and tighten them if necessary.

Further advice about wood furniture care

Please protect your outdoor furniture with a cover when not in use since Long-term sunlight exposure will result in the damage on the surface.

In addition to sunlight damage, wood and metal frame suffers when exposed to extremes in temperature and humidity.

Proper care and cleaning at home will extend the life of your purchase. Following these important and helpful tips will enhance your furniture as it ages.

