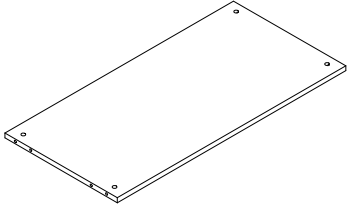
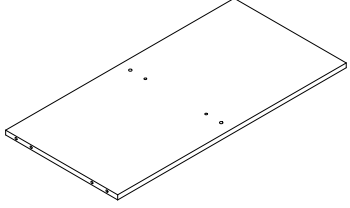
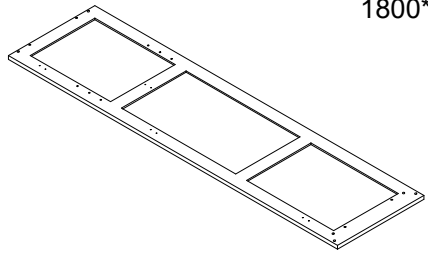
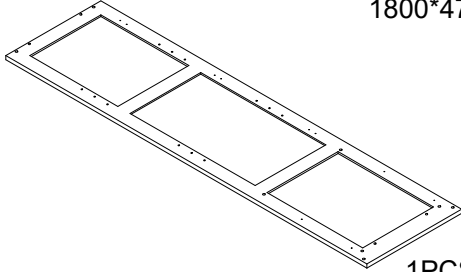
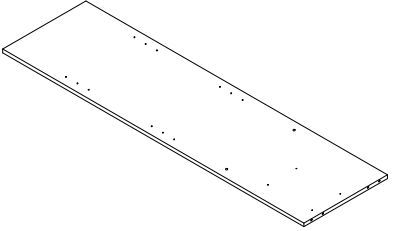
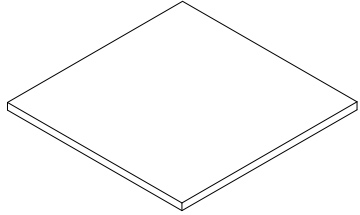
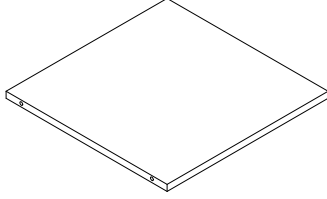
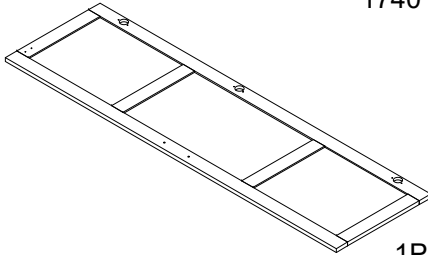
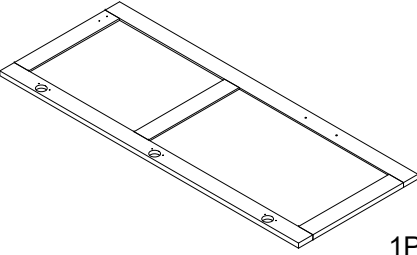
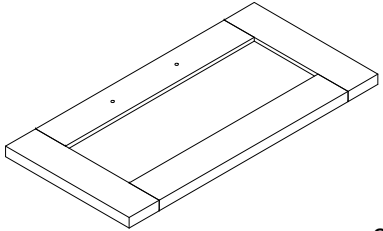
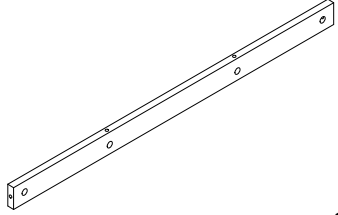
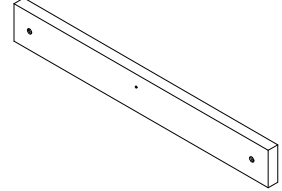
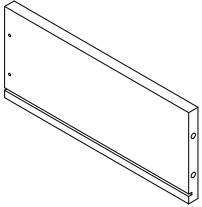
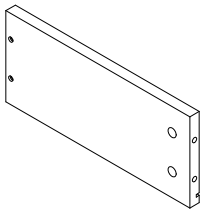
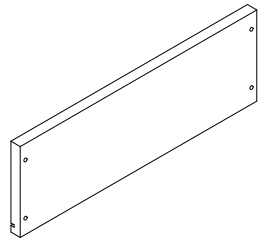
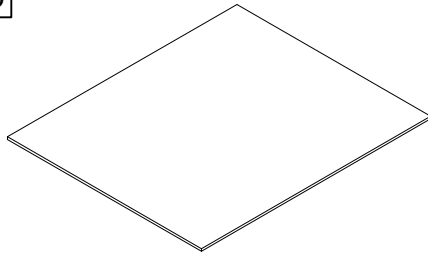
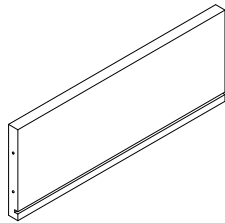
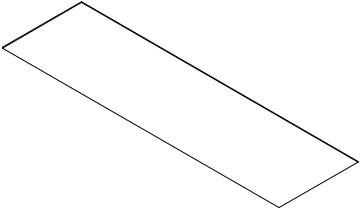


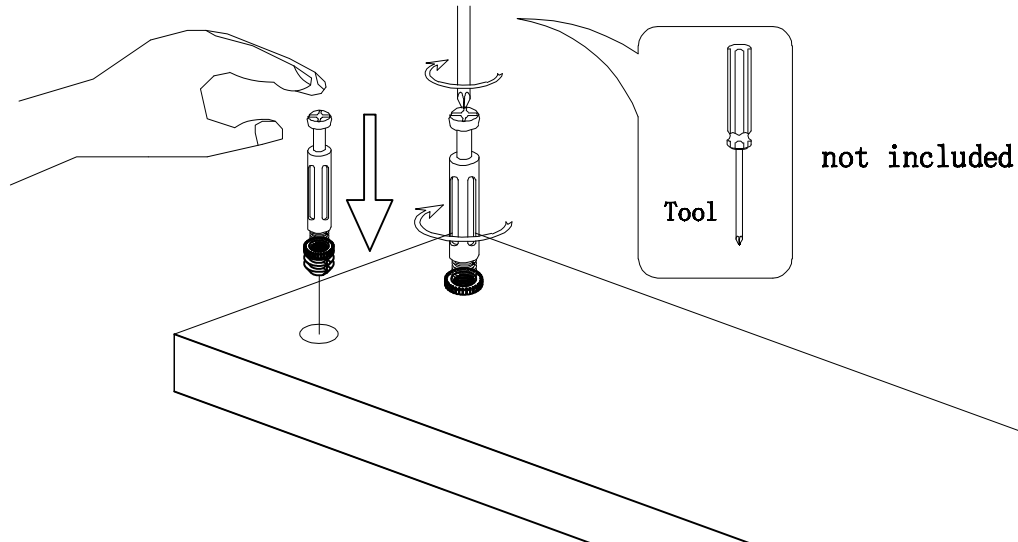
<p>1</p>  <p>964*473</p> <p>1PCS</p>	<p>2</p>  <p>964*473</p> <p>1PCS</p>	<p>3</p>  <p>1800*473</p> <p>1PCS</p>	<p>4</p>  <p>1800*473</p> <p>1PCS</p>
<p>5</p>  <p>1706.5*473</p> <p>1PCS</p>	<p>6</p>  <p>472*470</p> <p>3PCS</p>	<p>7</p>  <p>473*473</p> <p>1PCS</p>	<p>8</p>  <p>1740*497</p> <p>1PCS</p>
<p>9</p>  <p>1242*497</p> <p>1PCS</p>	<p>10</p>  <p>247*497</p> <p>2PCS</p>	<p>11</p>  <p>964*57</p> <p>2PCS</p>	<p>12</p>  <p>471*60</p> <p>2PCS</p>
<p>13</p>  <p>350*150</p> <p>2PCS</p>	<p>14</p>  <p>350*150</p> <p>2PCS</p>	<p>15</p>  <p>449*150</p> <p>2PCS</p>	<p>16</p>  <p>341*404</p> <p>2PCS</p>
<p>17</p>  <p>393*150</p> <p>2PCS</p>	<p>18</p>  <p>1740*497</p> <p>2PCS</p>		



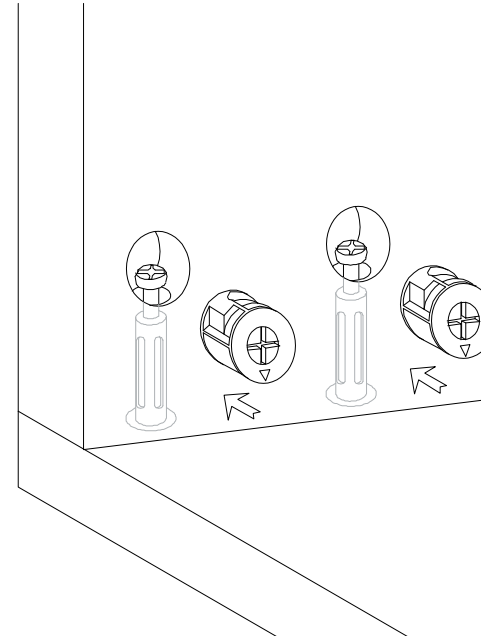
Hardware installation demonstration

NOTE: Please make sure "A" hardware tightened and can't be pulled out!

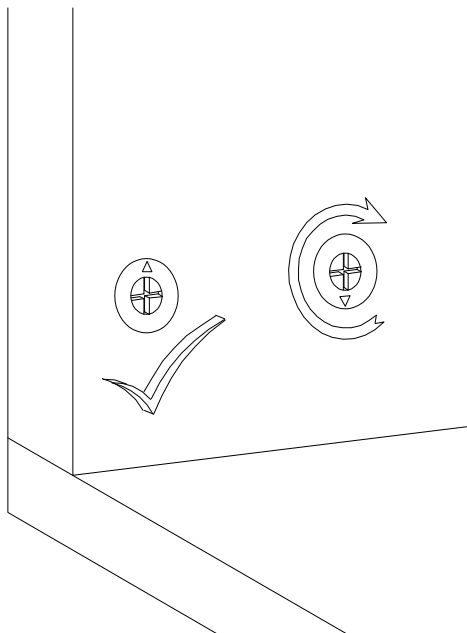
I



II



III

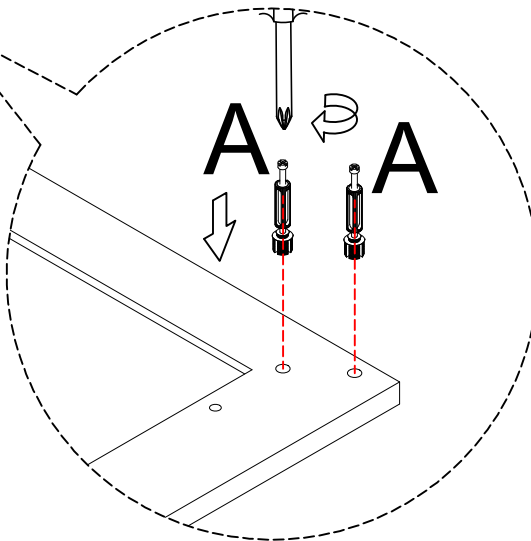
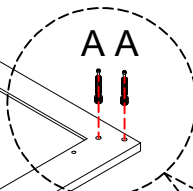
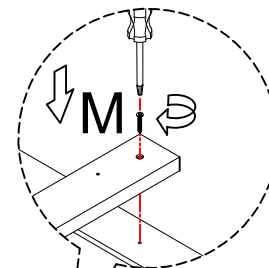
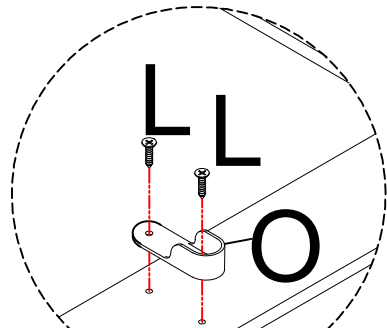
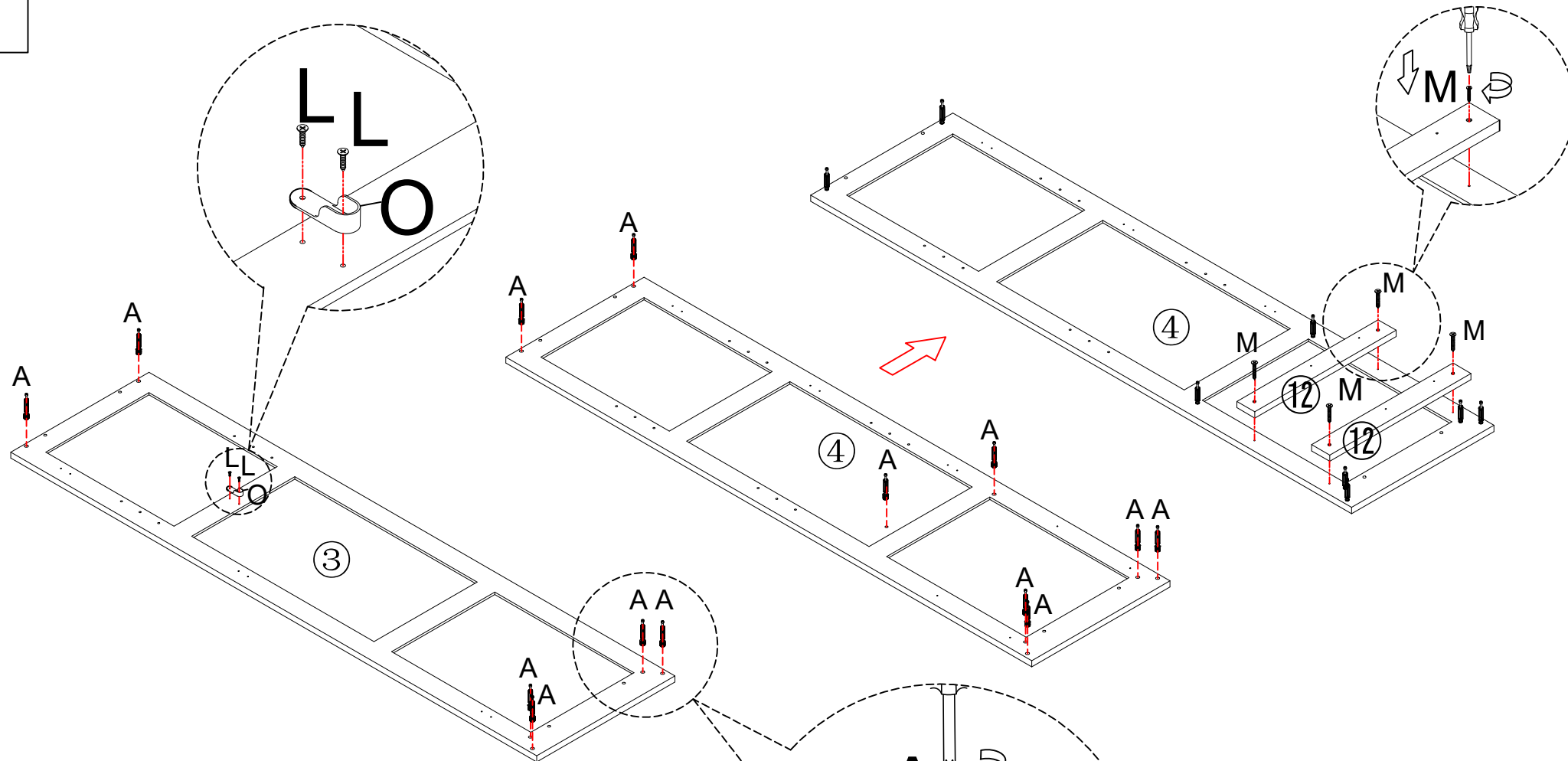



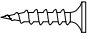


IV



Scan QR code for assembly video

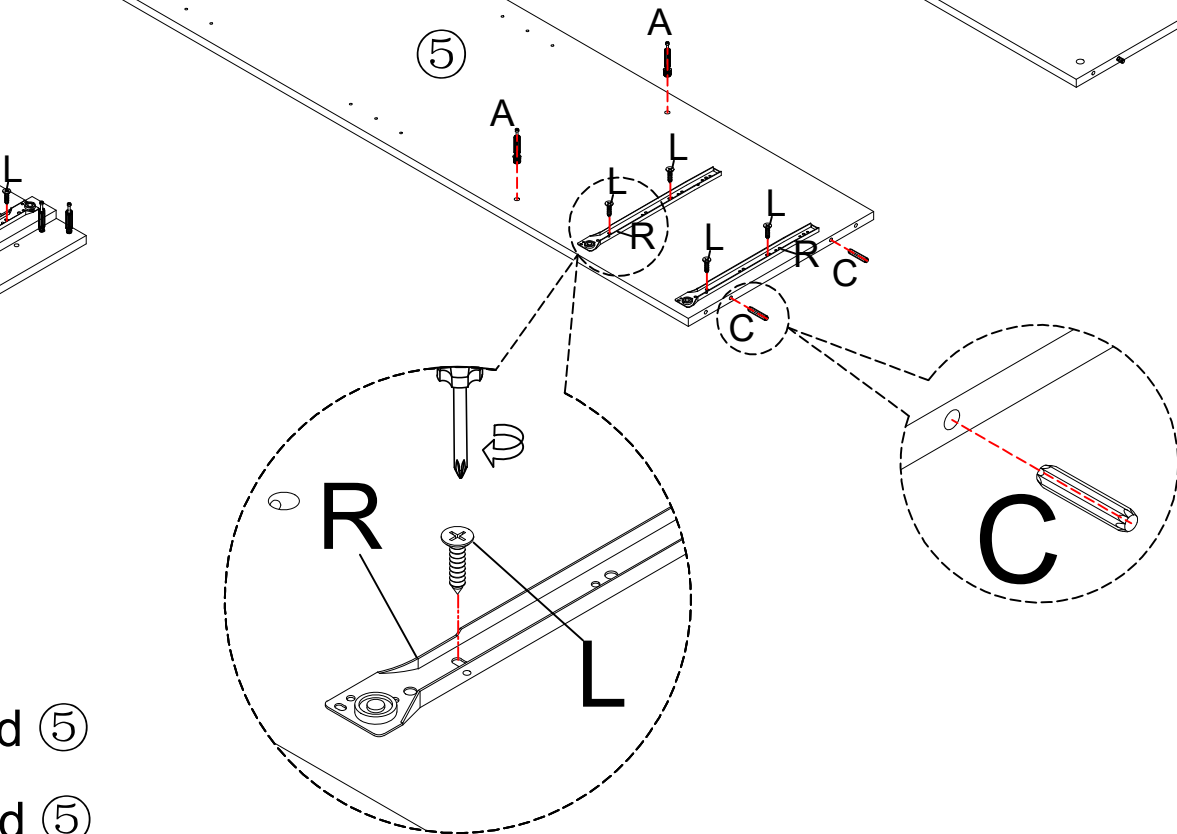
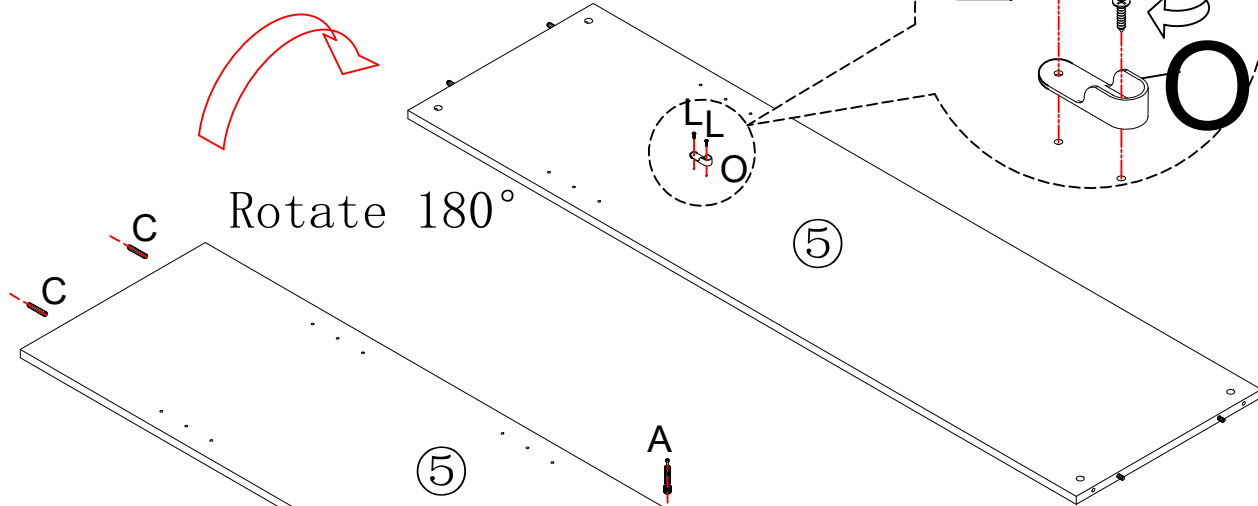
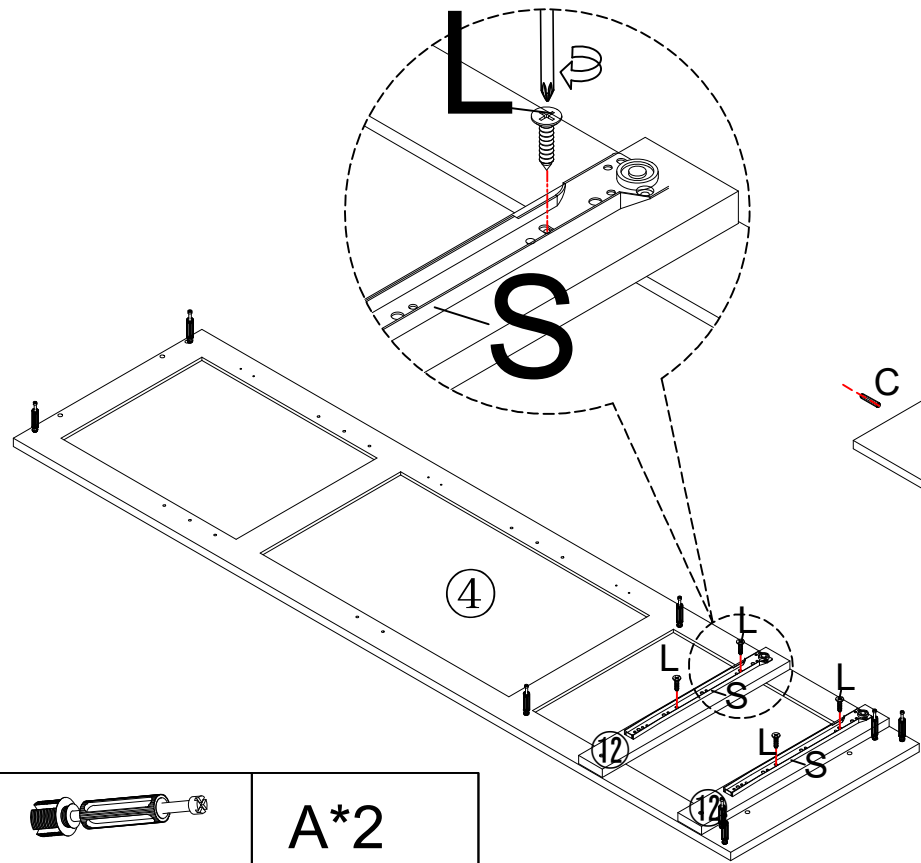
1



	A*14
	L*2
	M*4
	O*1

Put A on board ③④

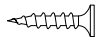
2



A*2



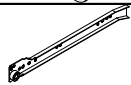
C*4



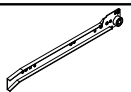
L*10



O*1



R*2

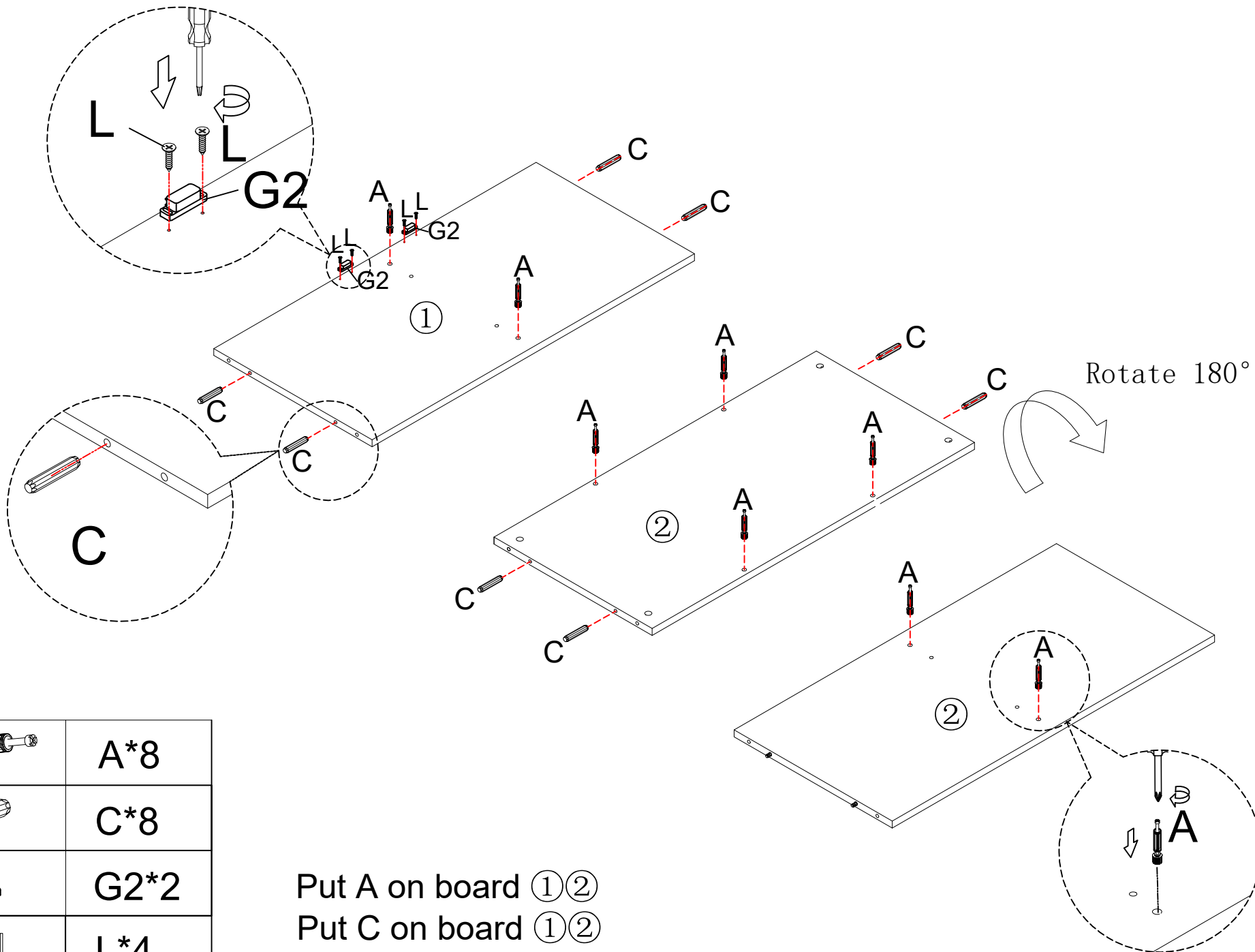


S*2

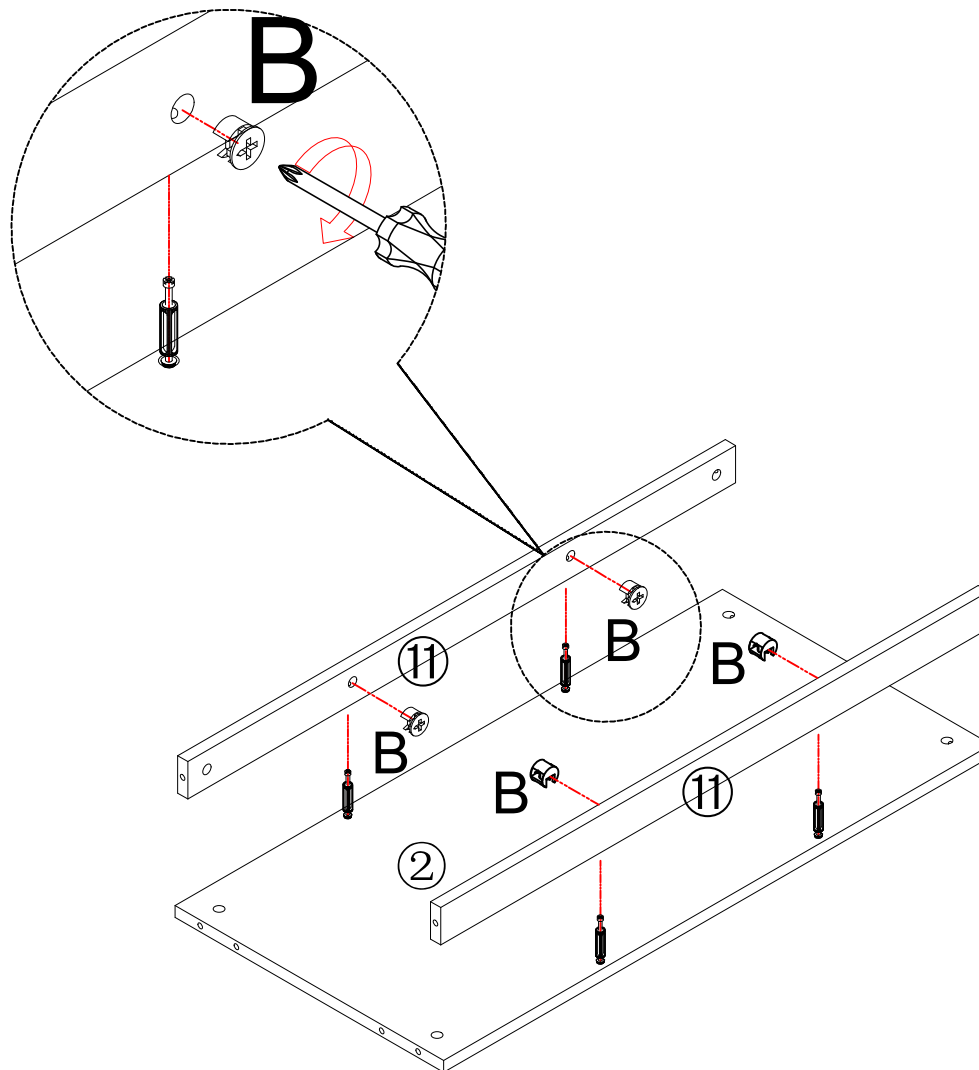
Put A on board ⑤

Put C on board ⑤

3



4 Make sure the arrow on the screw align to the hole on the side

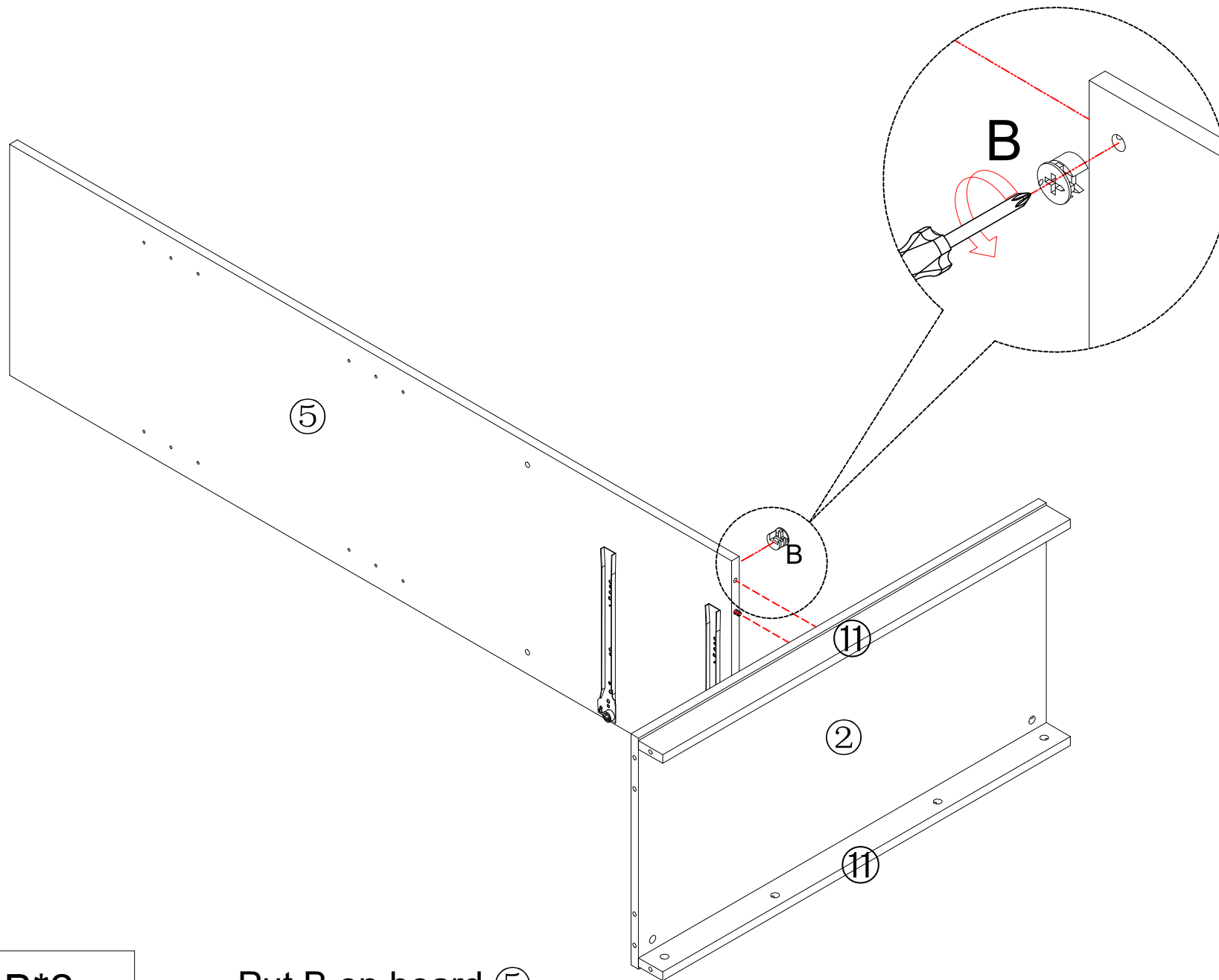


B*4

Put B on board ⑪

5

Make sure the arrow on the screw align to the hole on the side

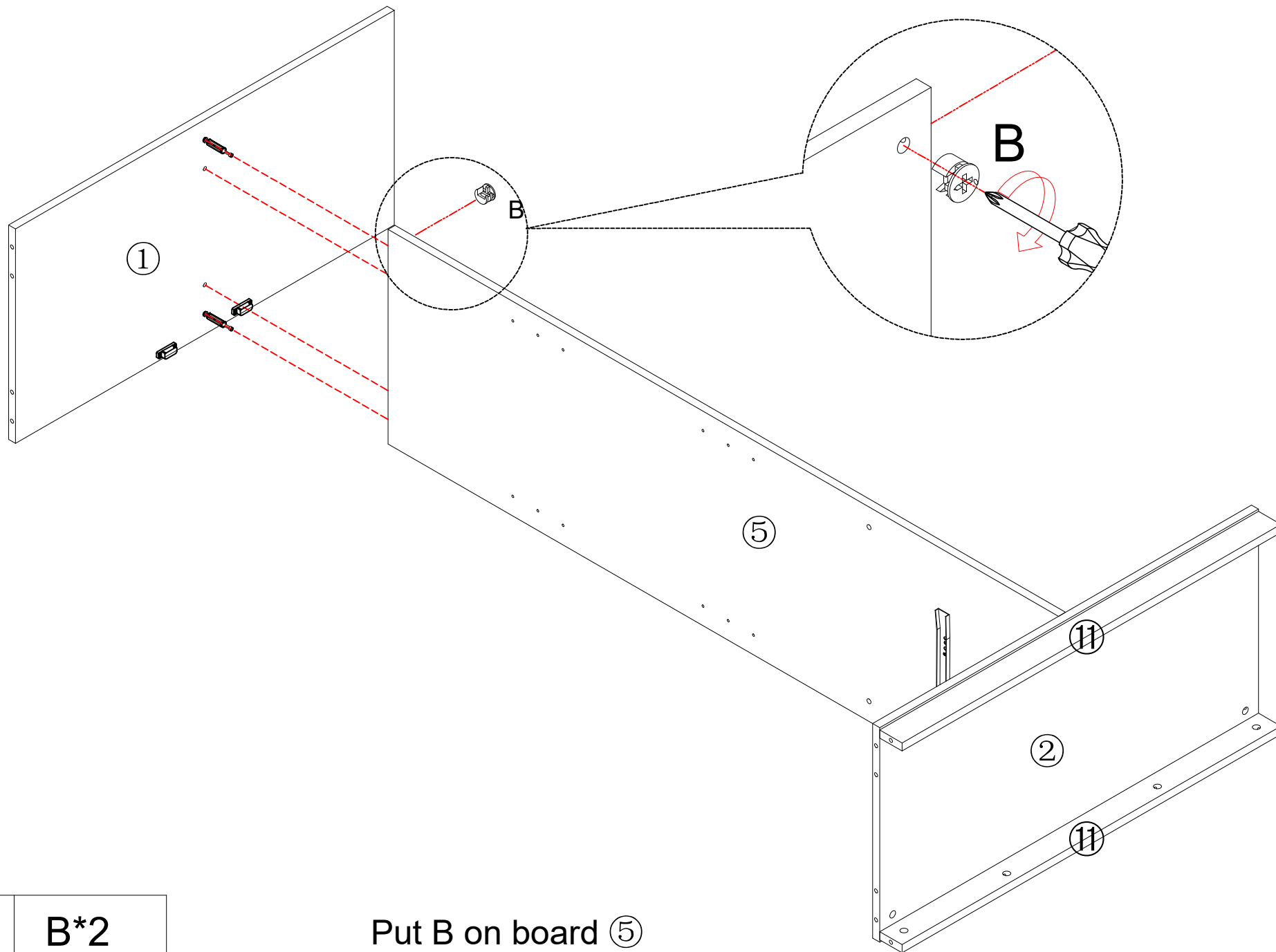


B*2

Put B on board ⑤

6

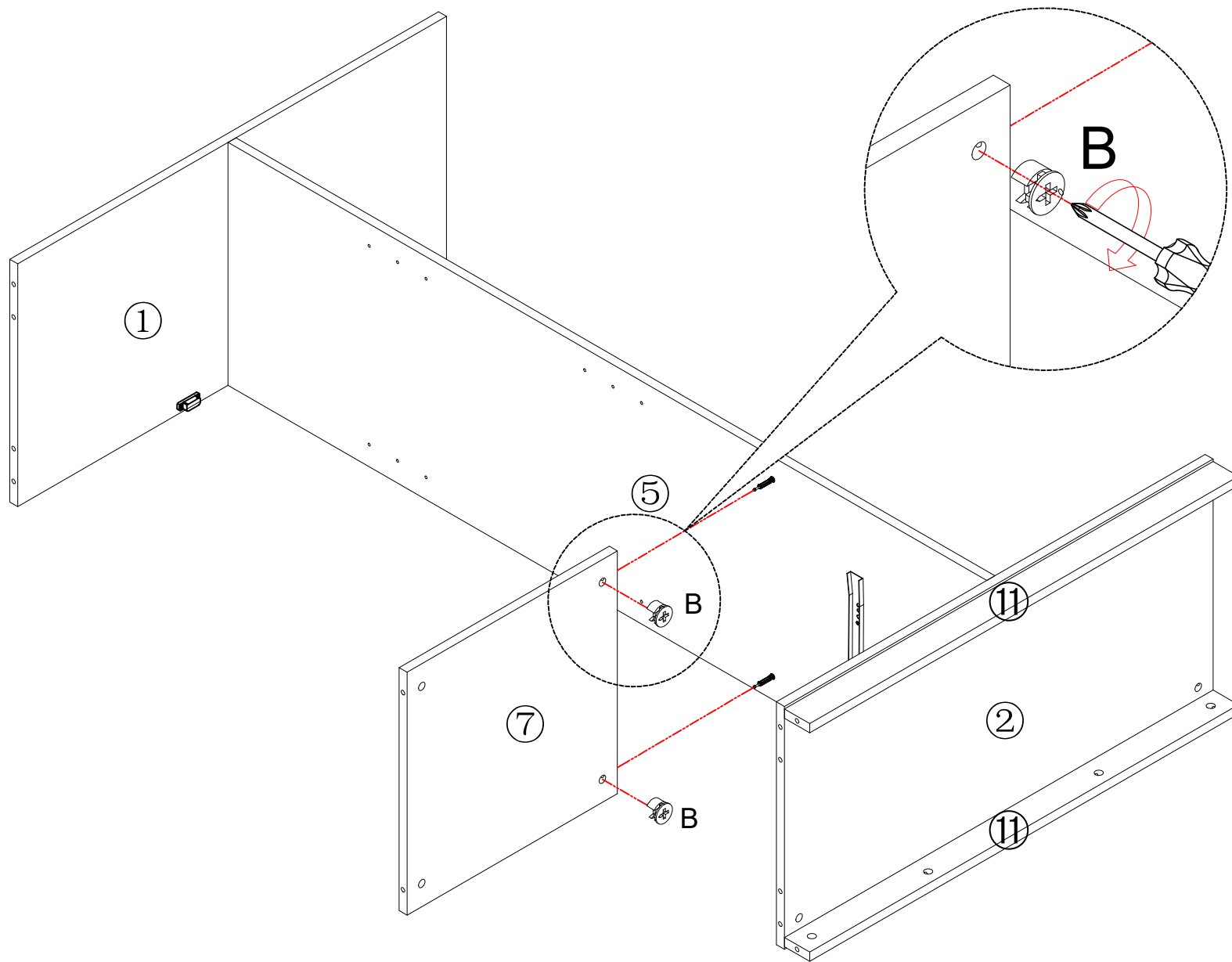
Make sure the arrow on the screw align to the hole on the side



B*2

Put B on board ⑤

7 Make sure the arrow on the screw align to the hole on the side

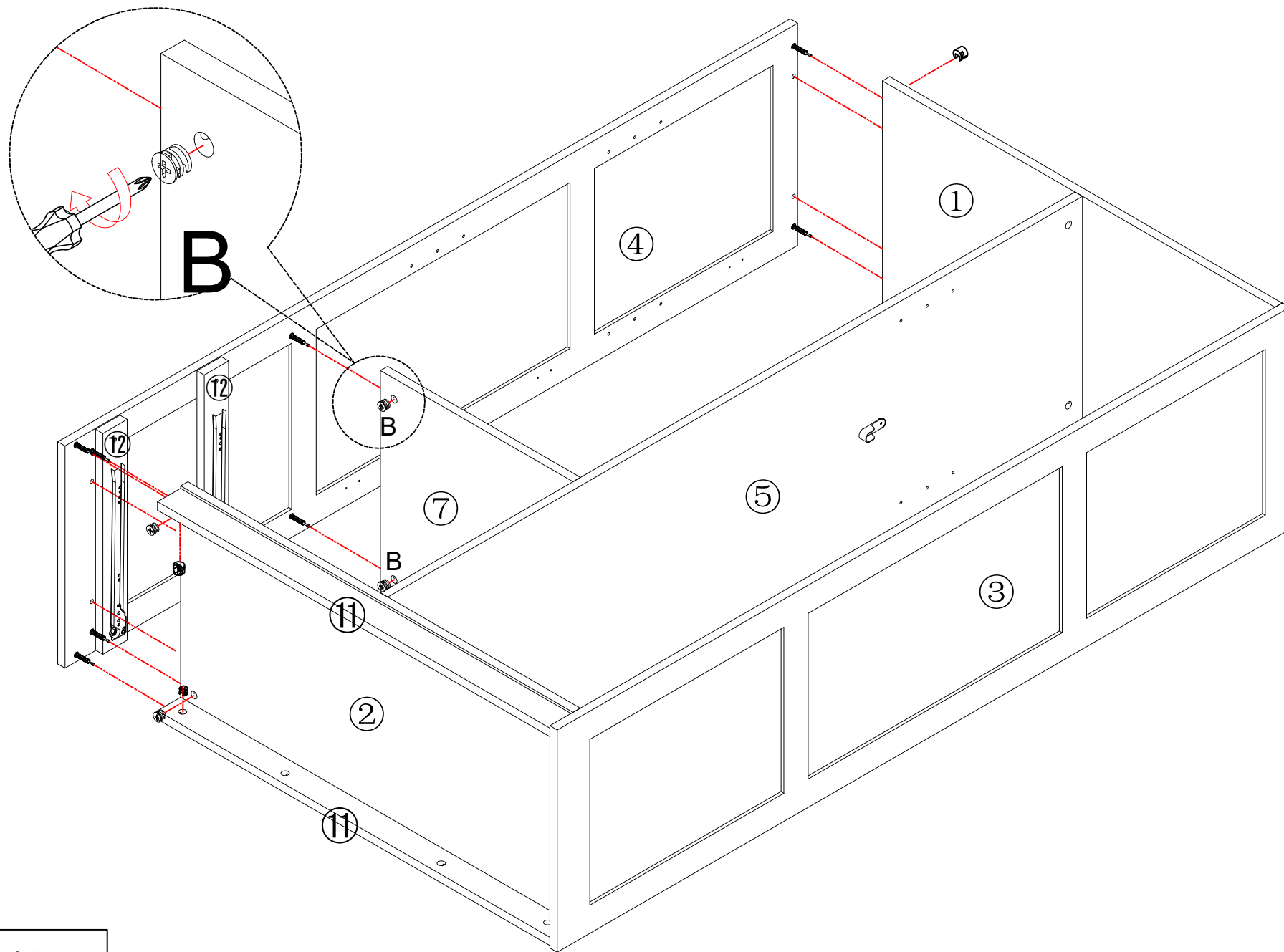


B*2

Put B on board ⑦

8

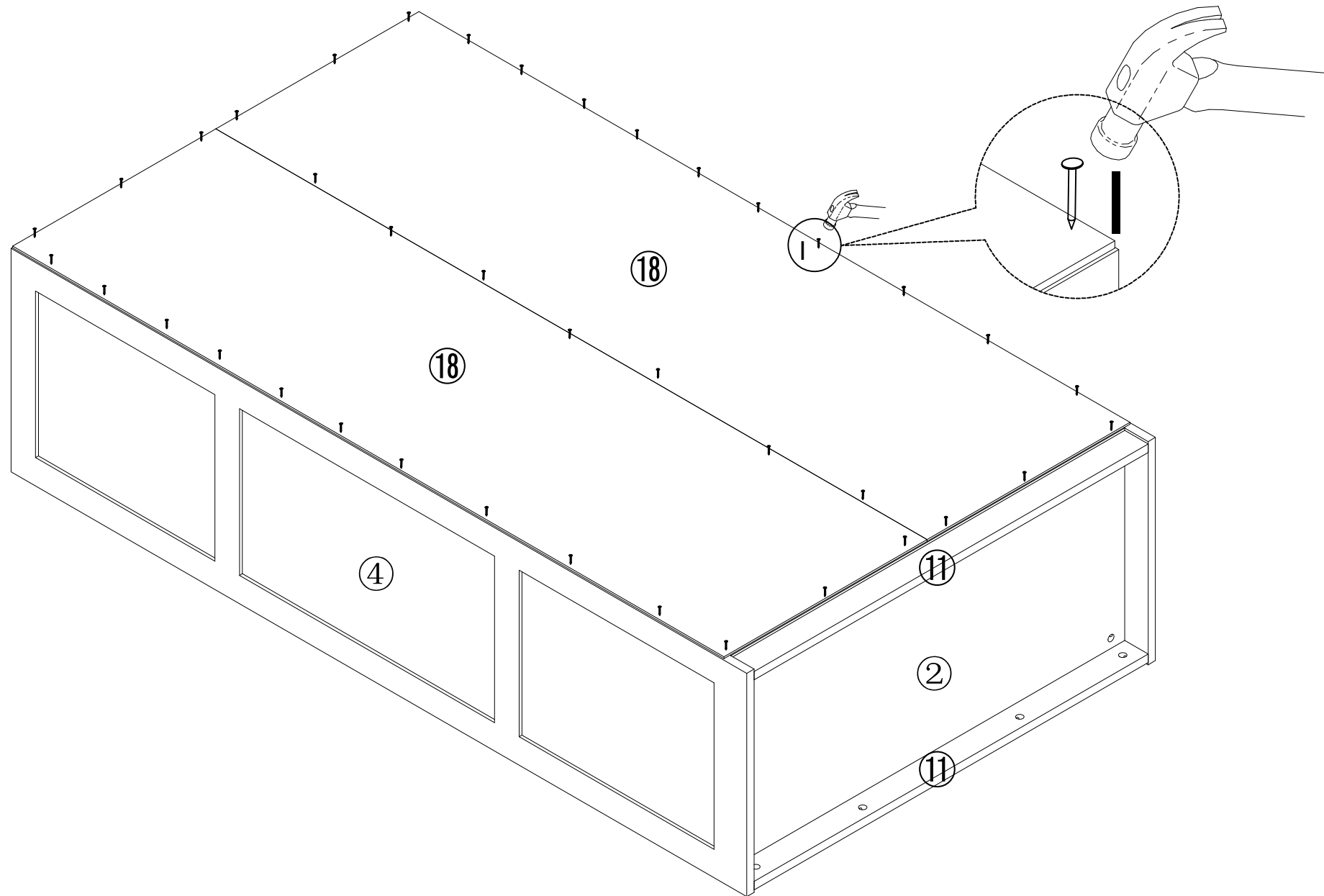
Make sure the arrow on the screw align to the hole on the side



B*8

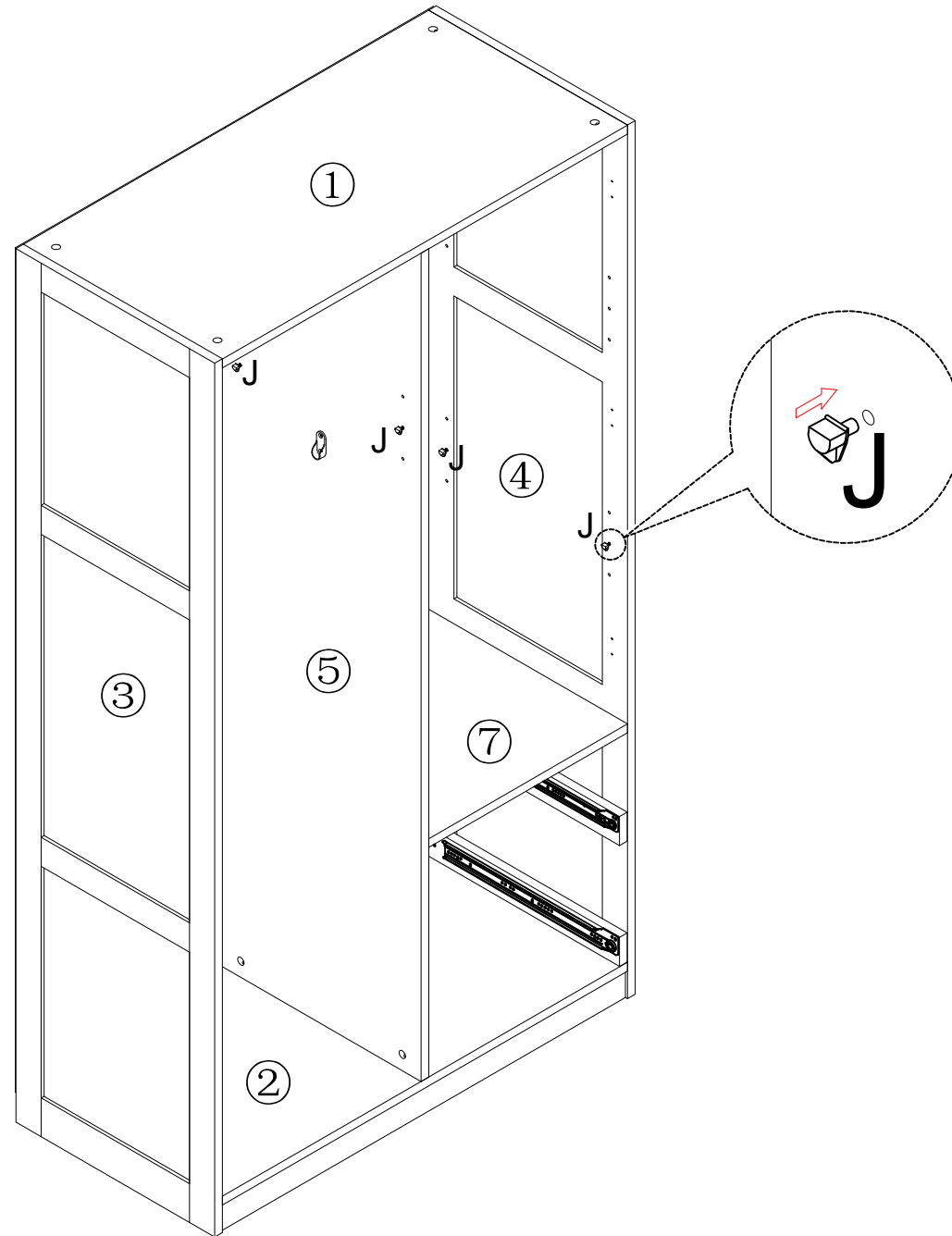
Put B on board ①②⑦⑪

9



1*40

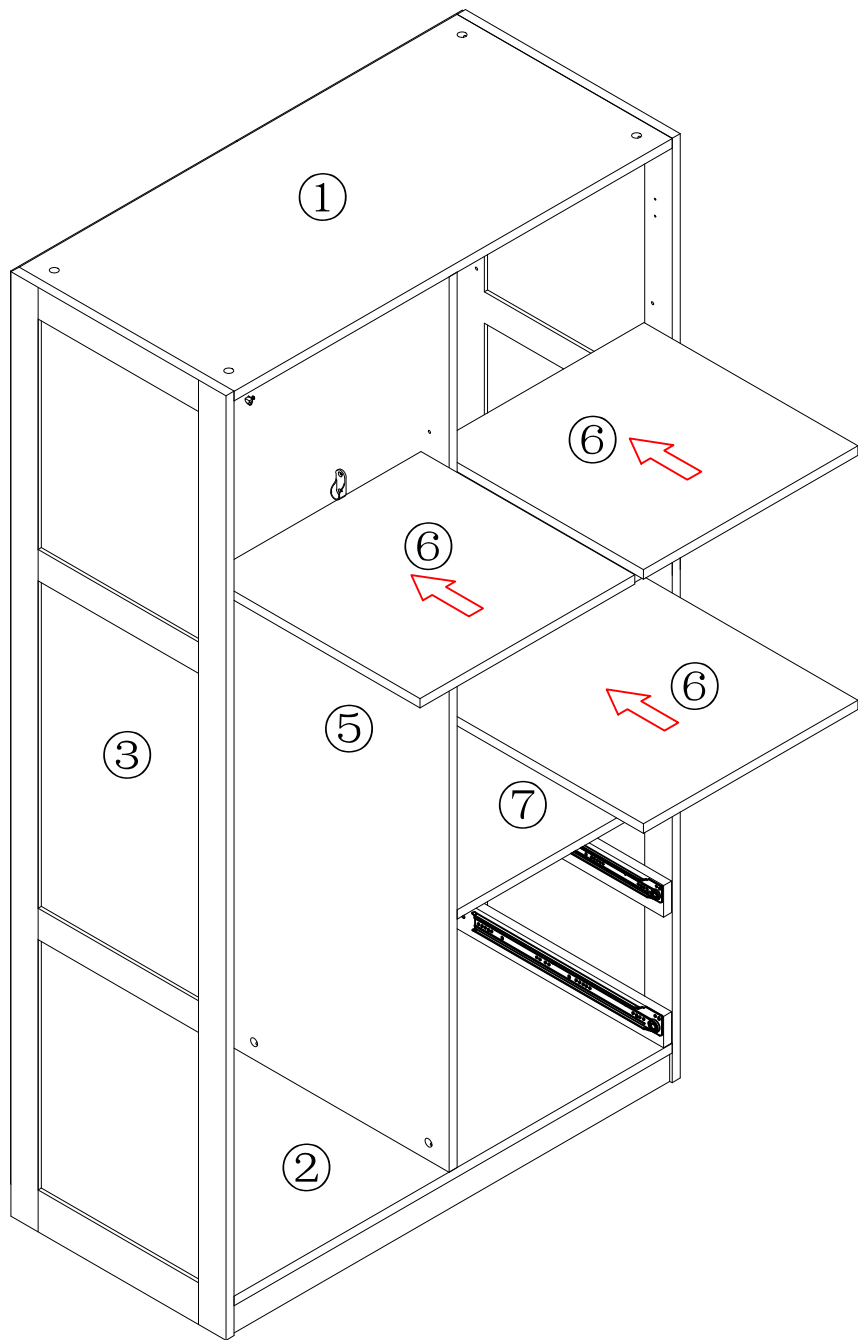
10

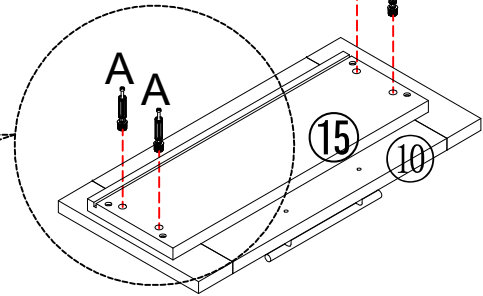
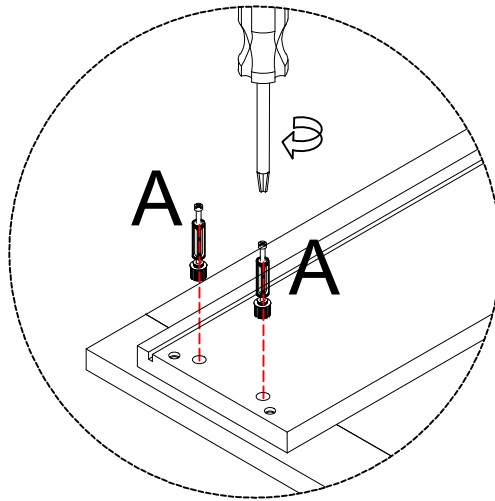
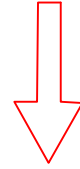
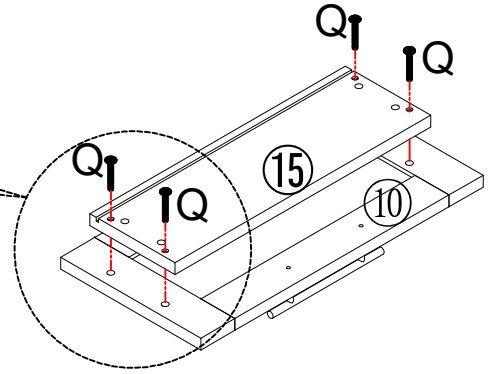
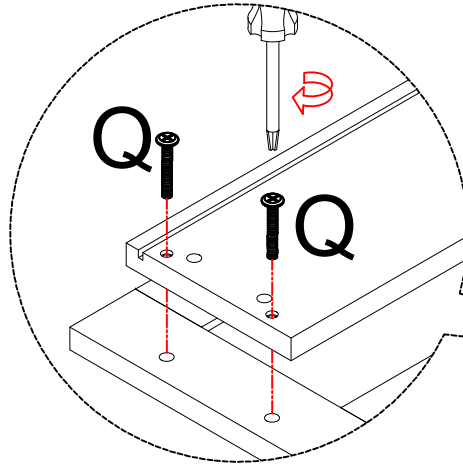
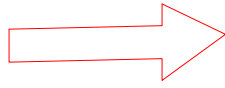
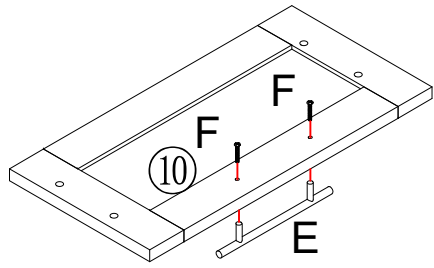


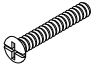

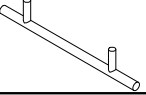

J*12

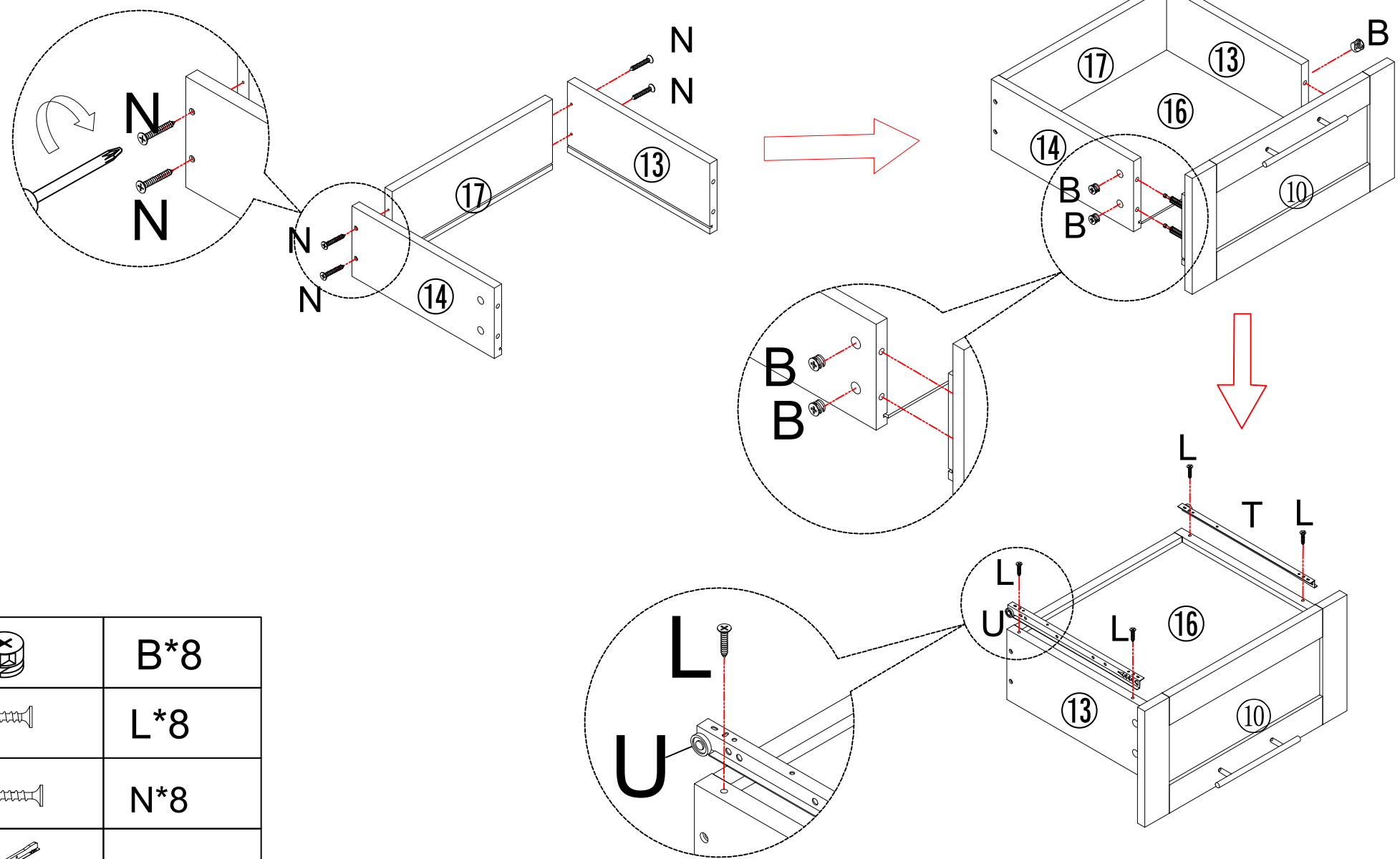
Put J on board ③④⑤



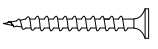
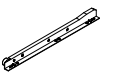
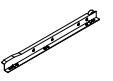
11





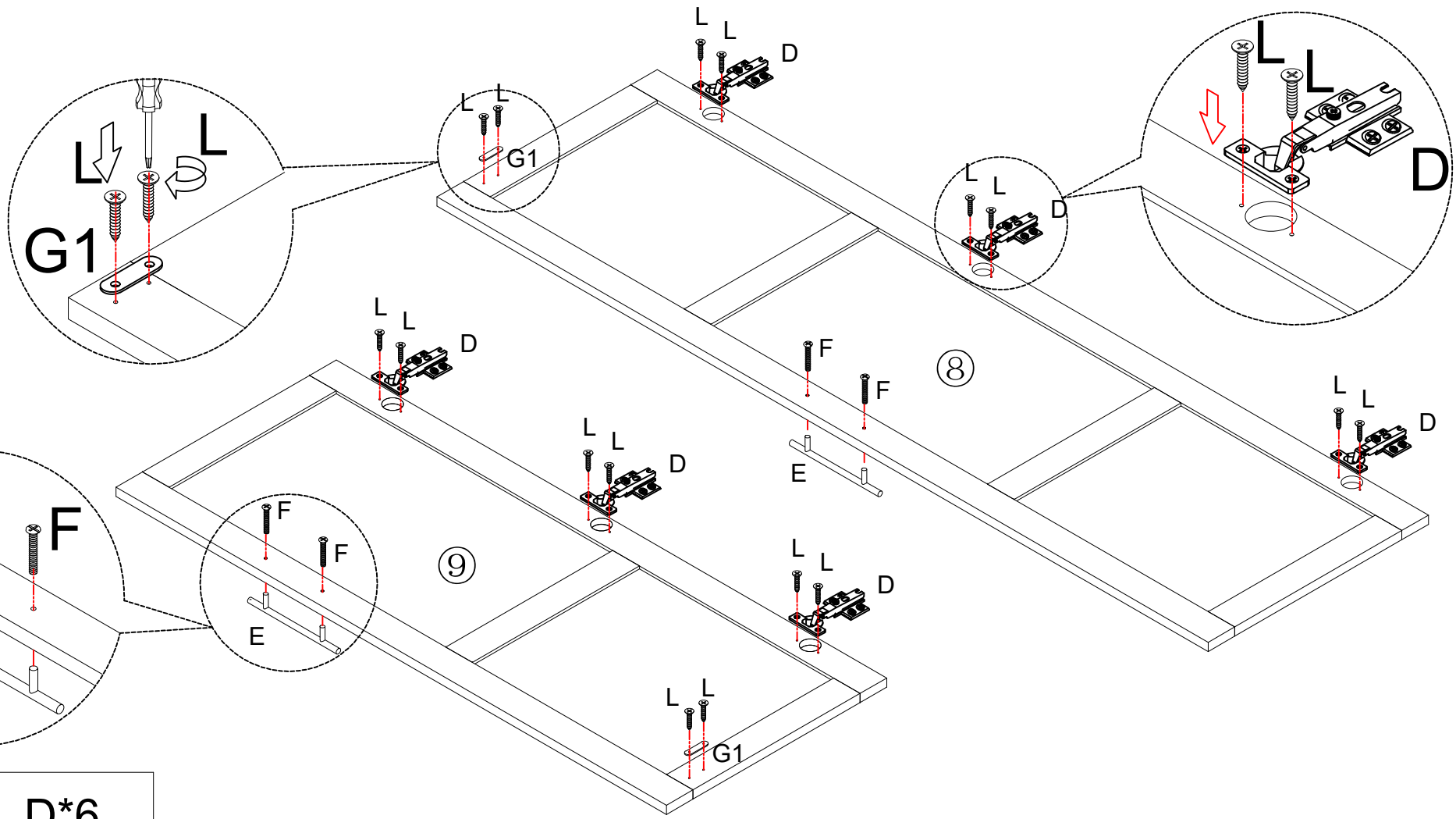
	F*4
	A*8
	E*2
	Q*8


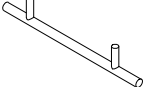


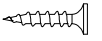


	B*8
	L*8
	N*8
	U*2
	T*2

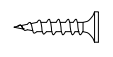
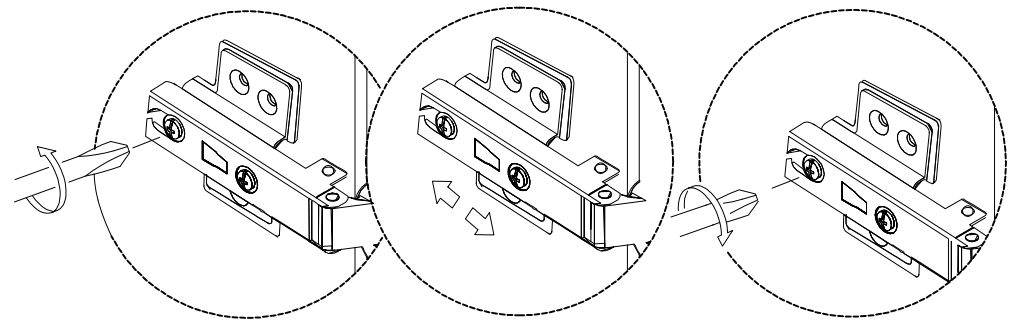
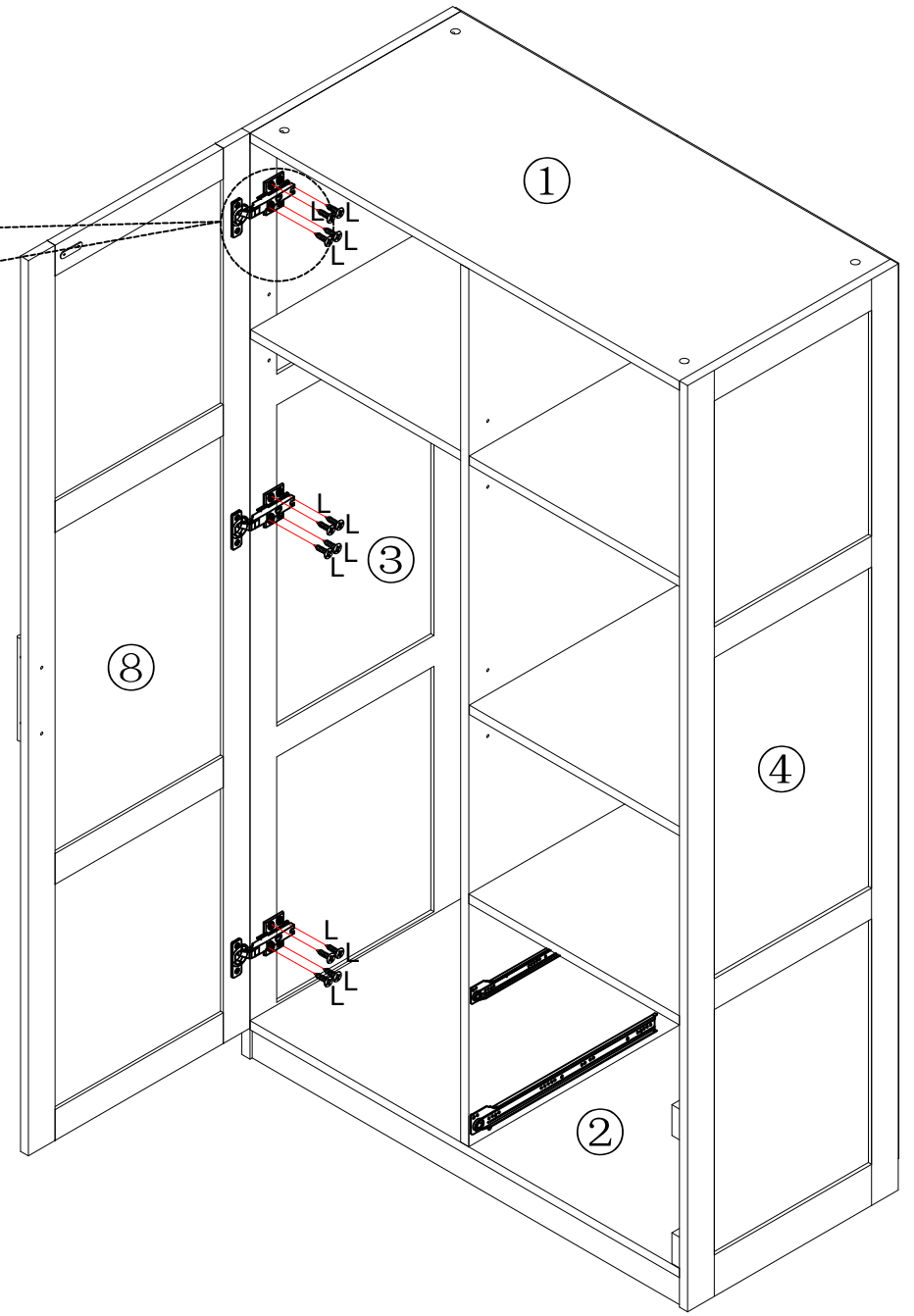
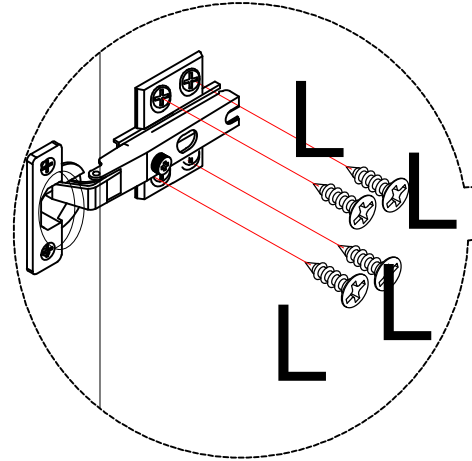
Put B on board ⑬⑭

X2



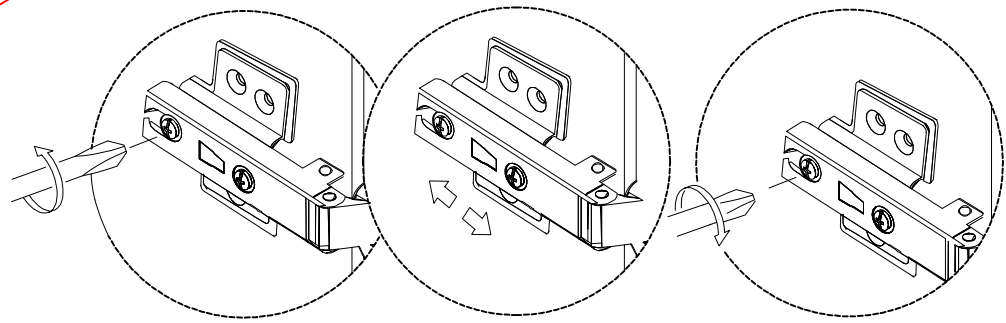
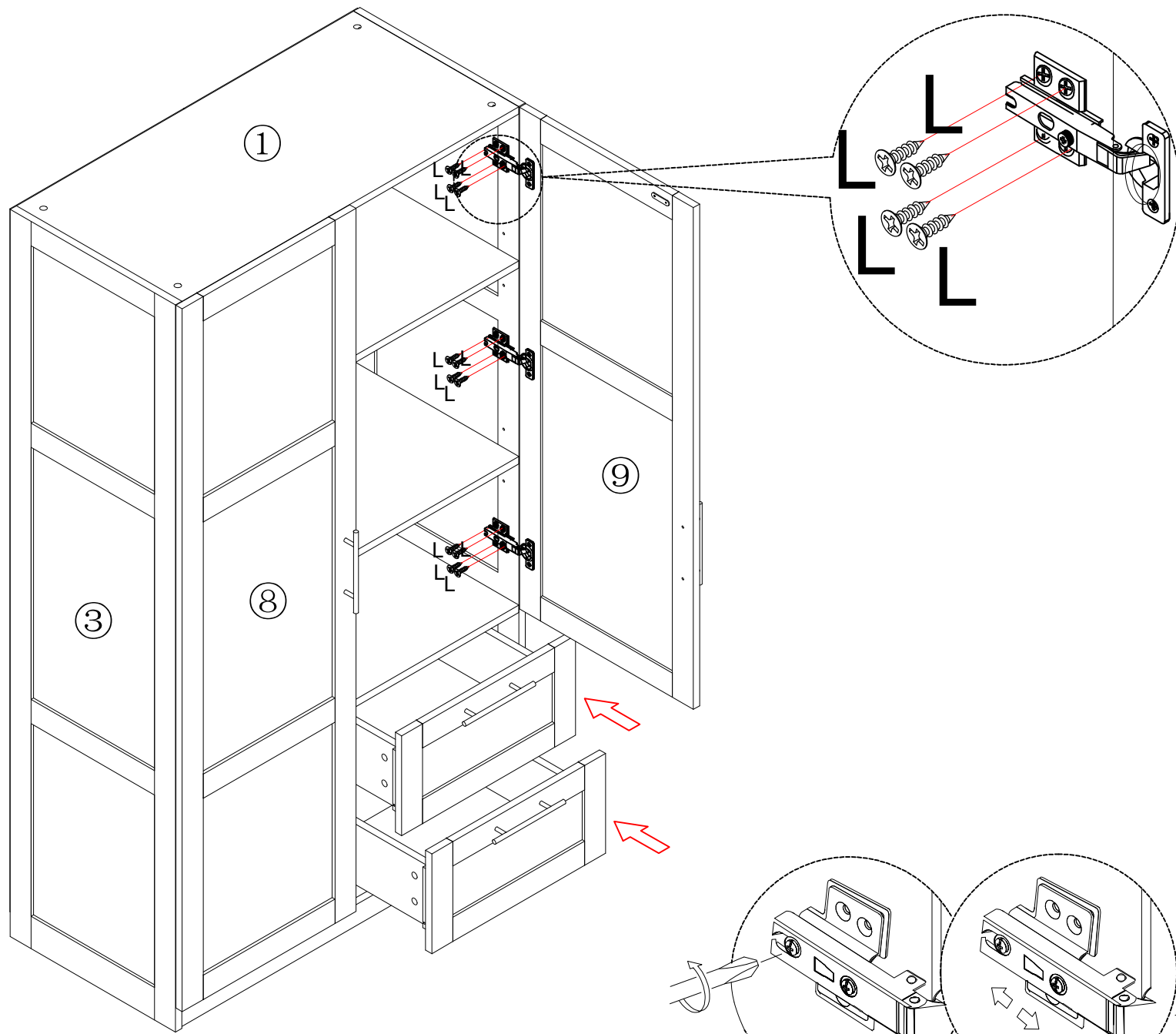
	D*6
	E*2
	F*4
	G1*2
	L*16

15



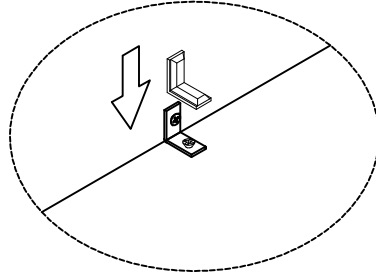
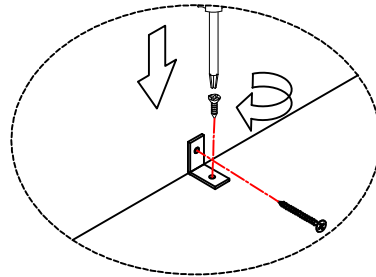
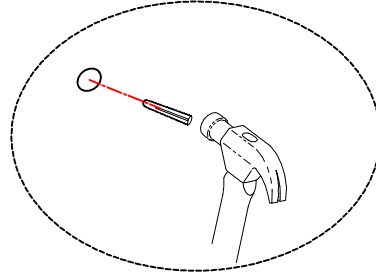
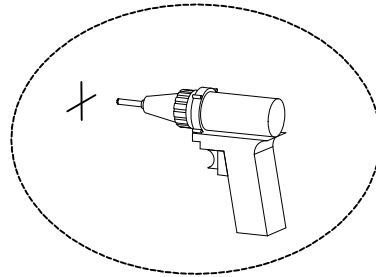
L*12

16

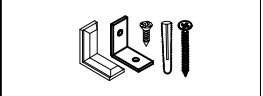
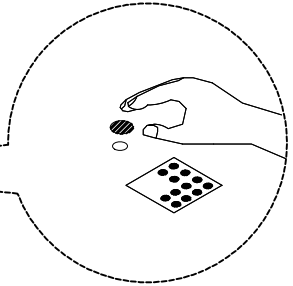
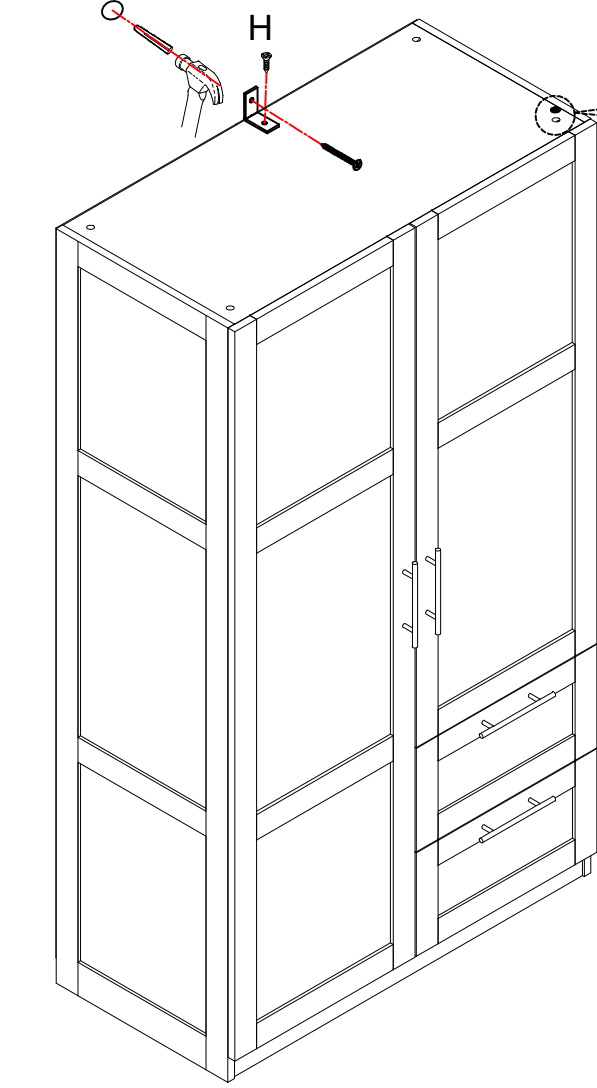


L*12

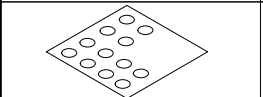
17



WALL



H*1



K*32

END