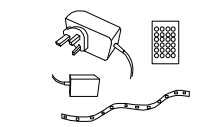
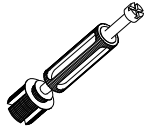


**LED**




1PCS

**A**



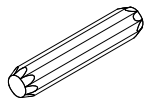
40PCS

**B**



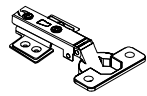
40PCS

**C** 8\*40




32PCS

**D**




6PCS

**E**



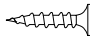
1PCS

**F**




8PCS

**G** 3.5\*14




40PCS

**H**




20PCS

**I** 3\*12



20PCS

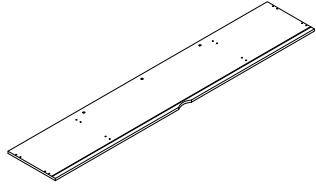
**J**



5PCS

1

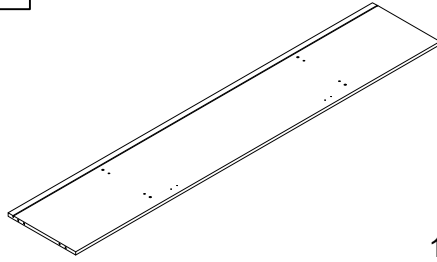
2000\*365



1PCS

2

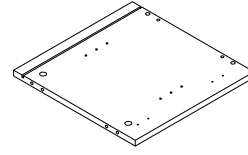
1968\*365



1PCS

3

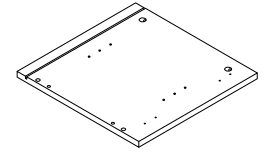
356\*365



1PCS

4

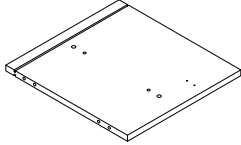
356\*365



1PCS

5

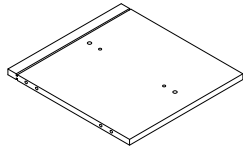
340\*365



1PCS

6

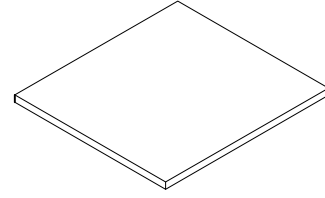
340\*365



1PCS

7

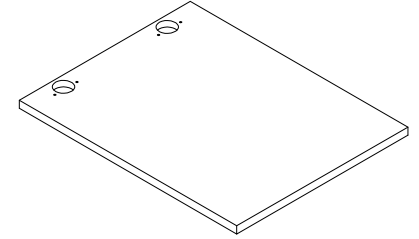
447\*333



2PCS

8

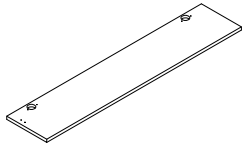
470\*370



2PCS

9

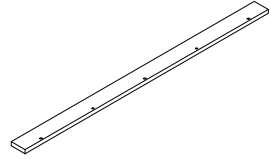
1051\*216



1PCS

10

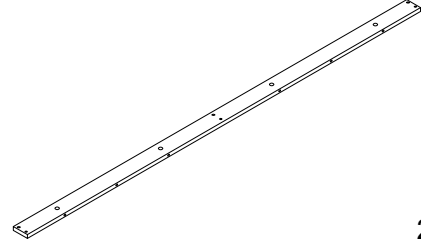
1051\*60



1PCS

11

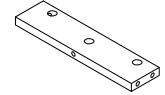
1700\*60



2PCS

12

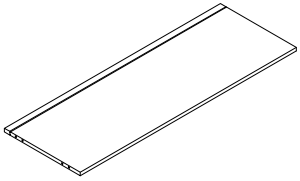
250\*60



3PCS

13

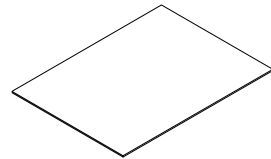
1038\*365



1PCS

14

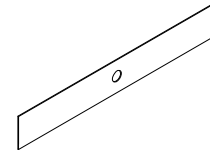
459\*350



2PCS

15

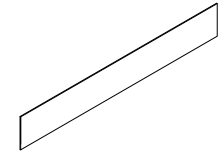
1046\*151



1PCS

16

1046\*192



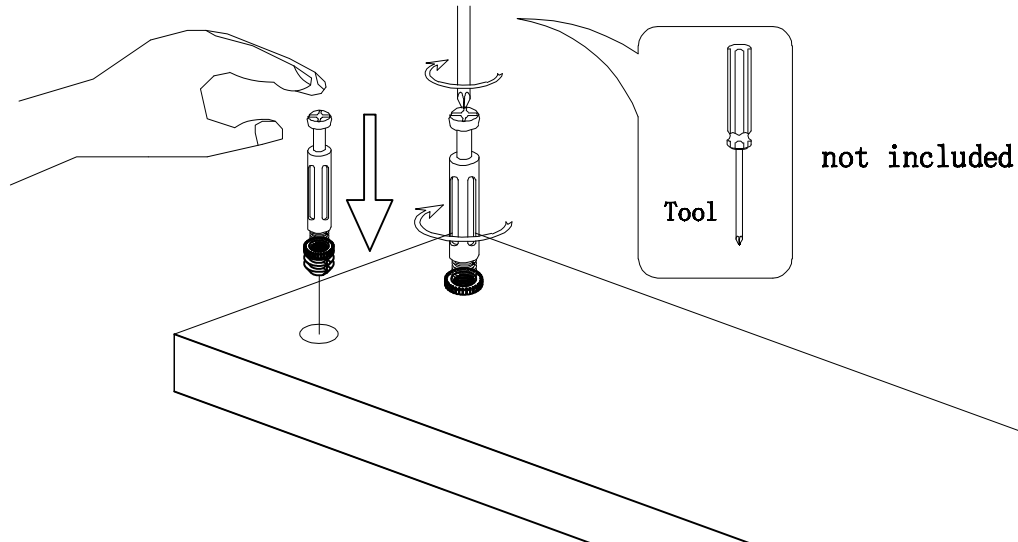
1PCS



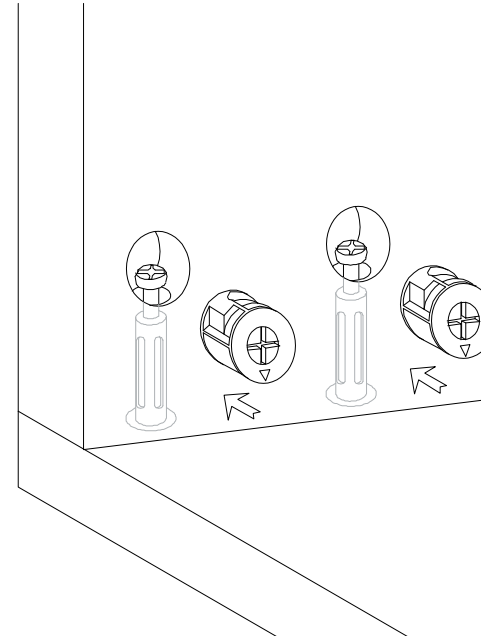
## Hardware installation demonstration

NOTE: Please make sure "A" hardware tightened and can't be pulled out!

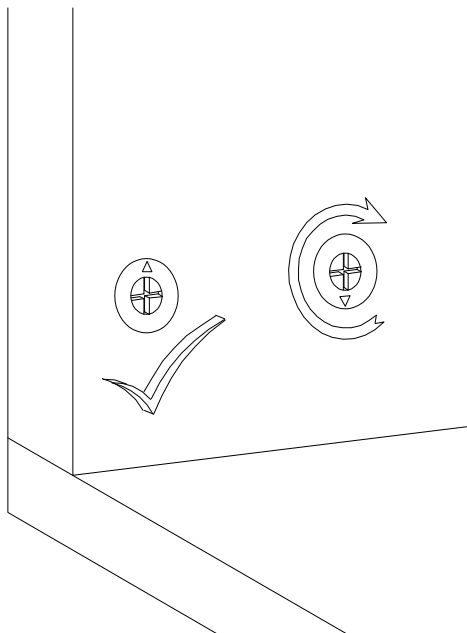
I



II



III

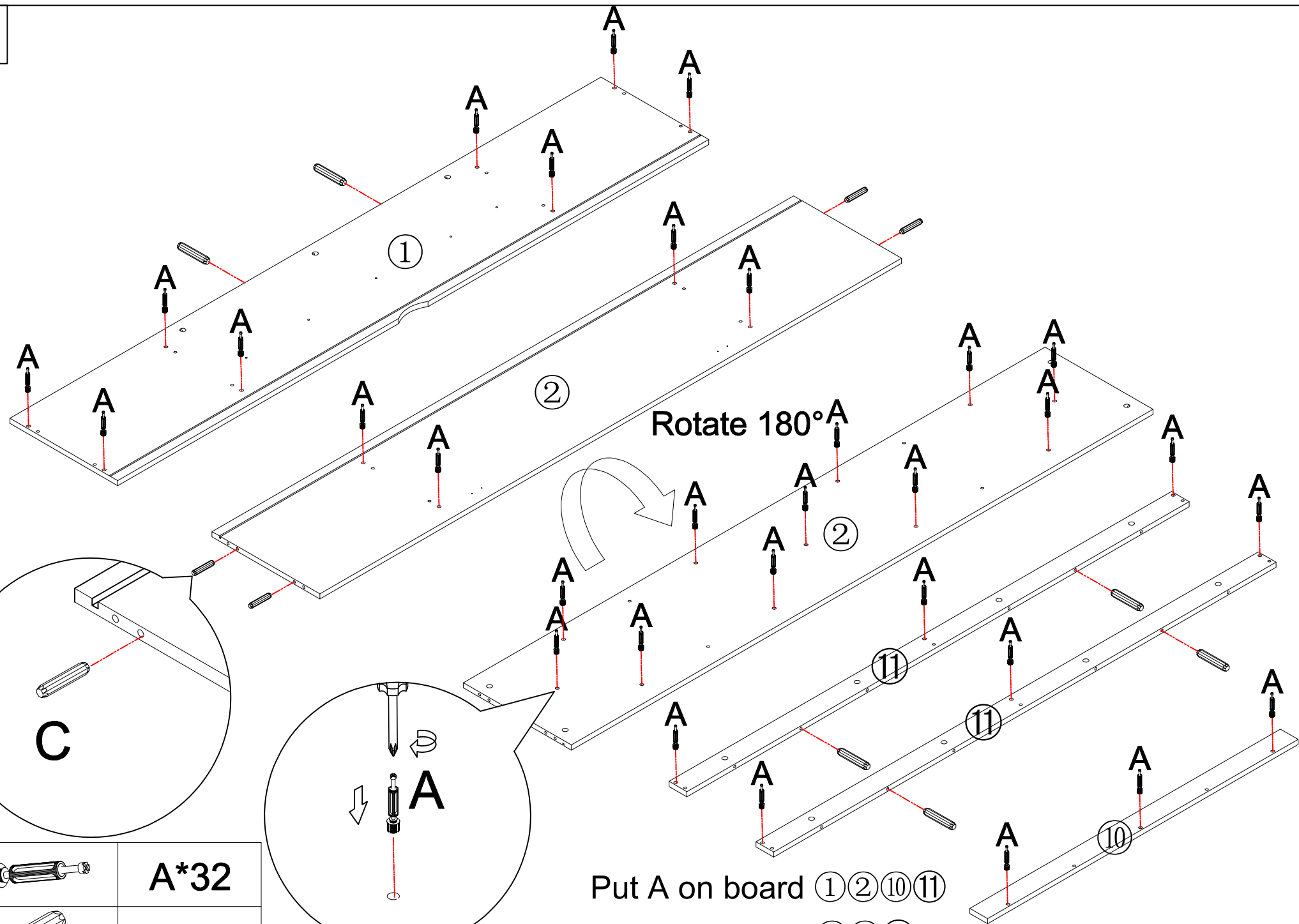


IV



Scan QR code for assembly video

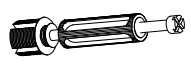
1



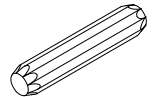
Rotate 180°

C

A



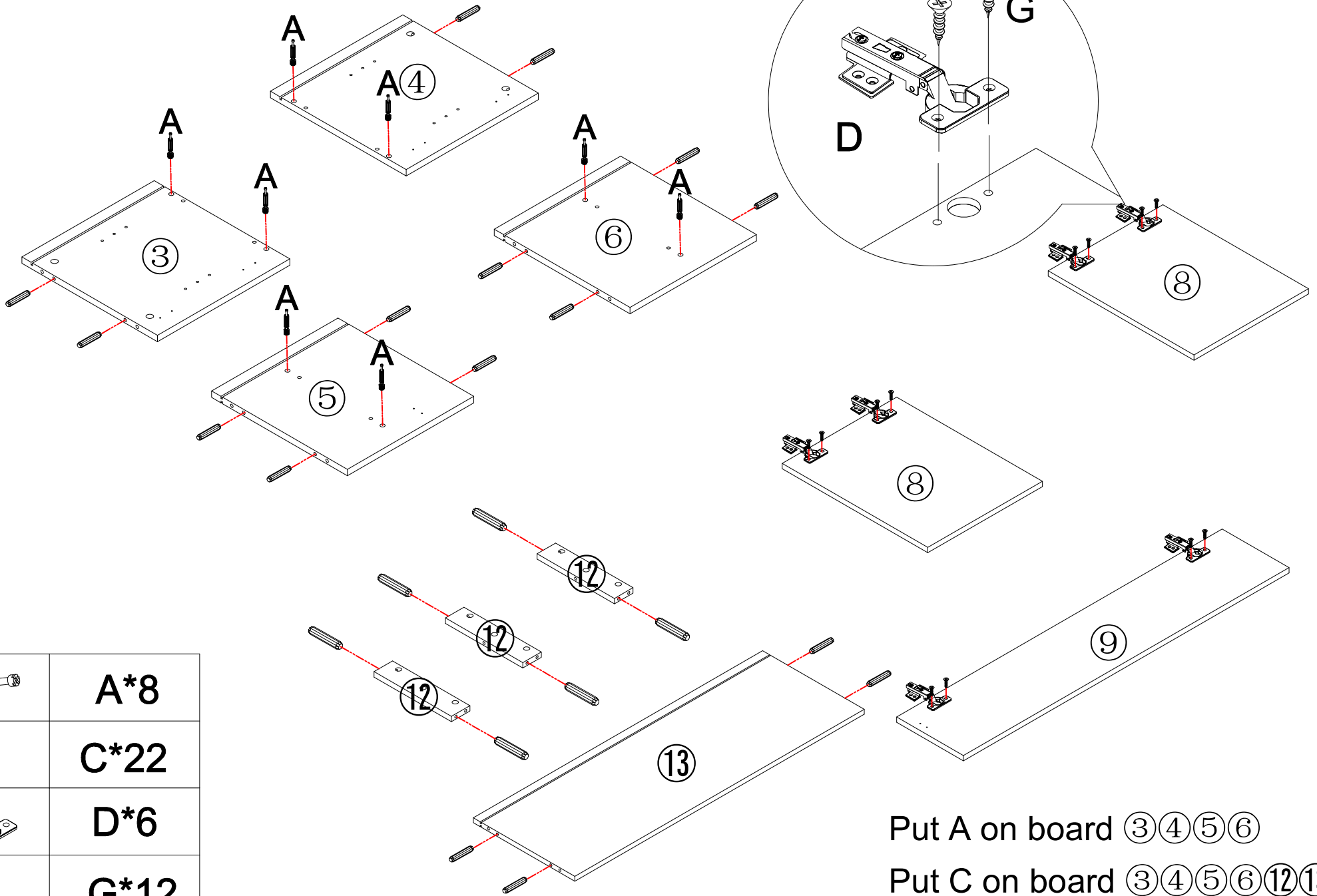
A\*32


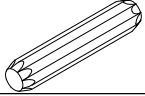
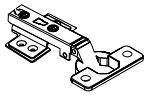
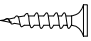


C\*10

Put A on board ①②⑩⑪

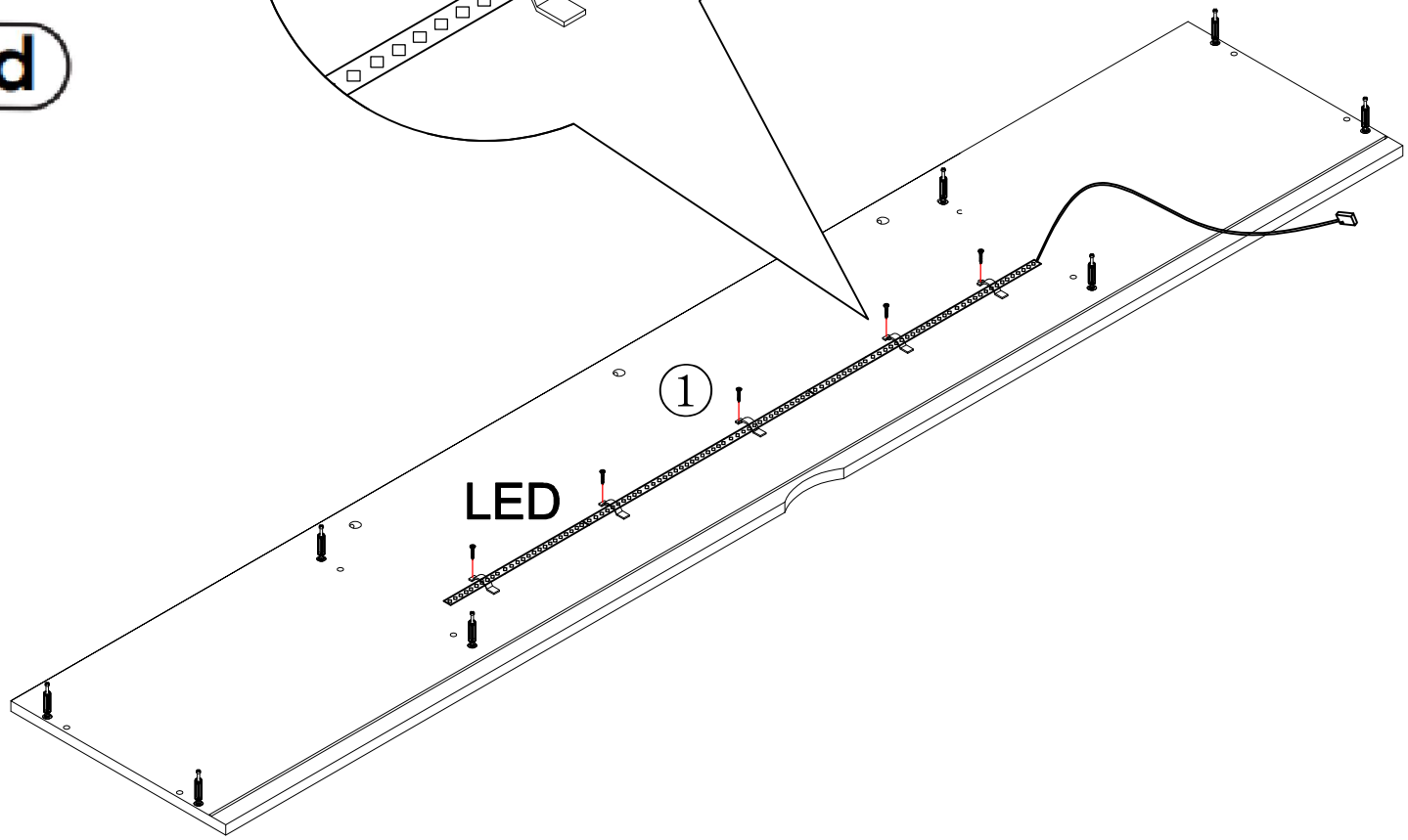
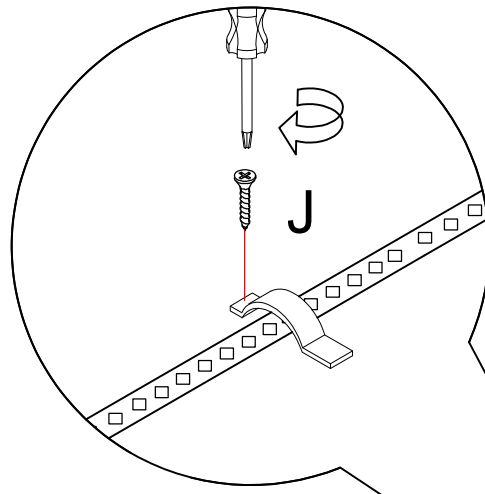
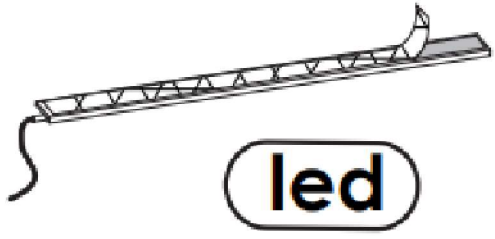
Put C on board ①②⑪



	<b>A*8</b>
	<b>C*22</b>
	<b>D*6</b>
	<b>G*12</b>

Put A on board ③④⑤⑥  
 Put C on board ③④⑤⑥⑫⑬

3

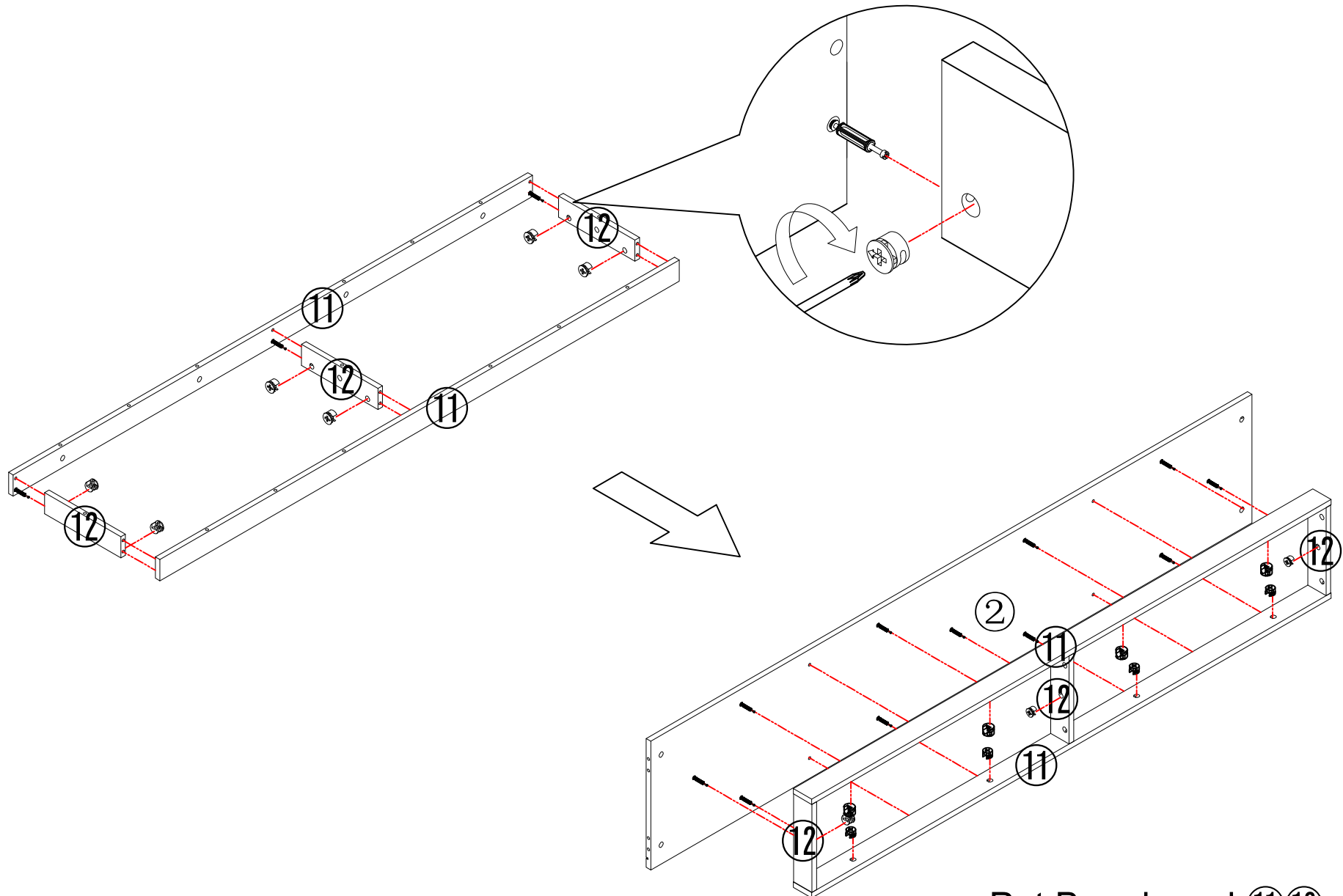


J\*5



LED\*1

Make sure the arrow on the screw align to the hole on the side



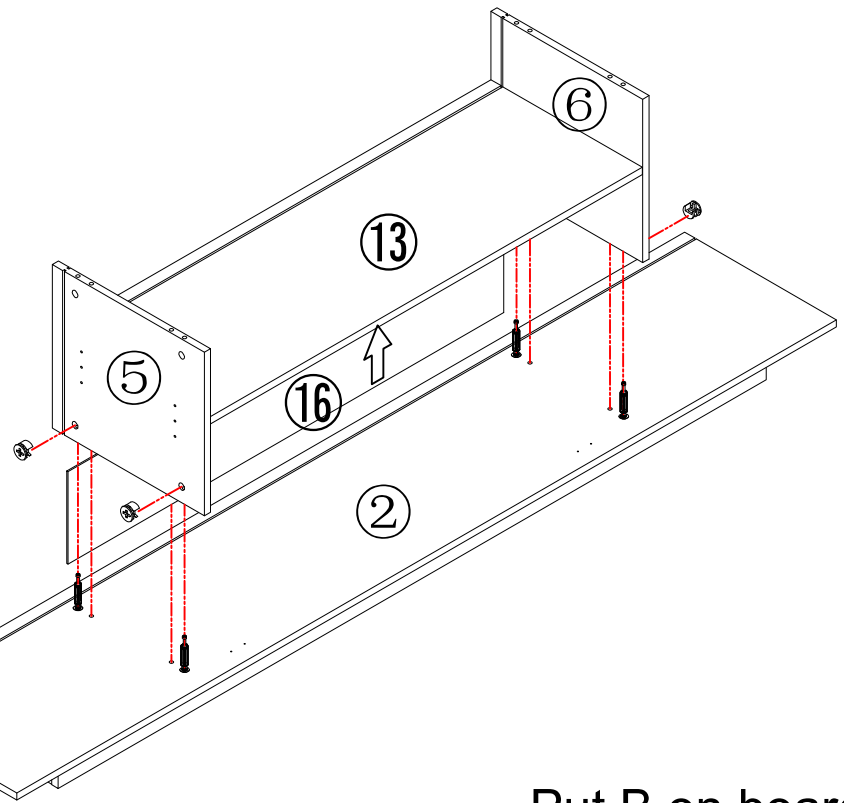
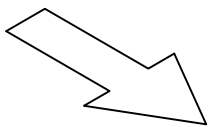
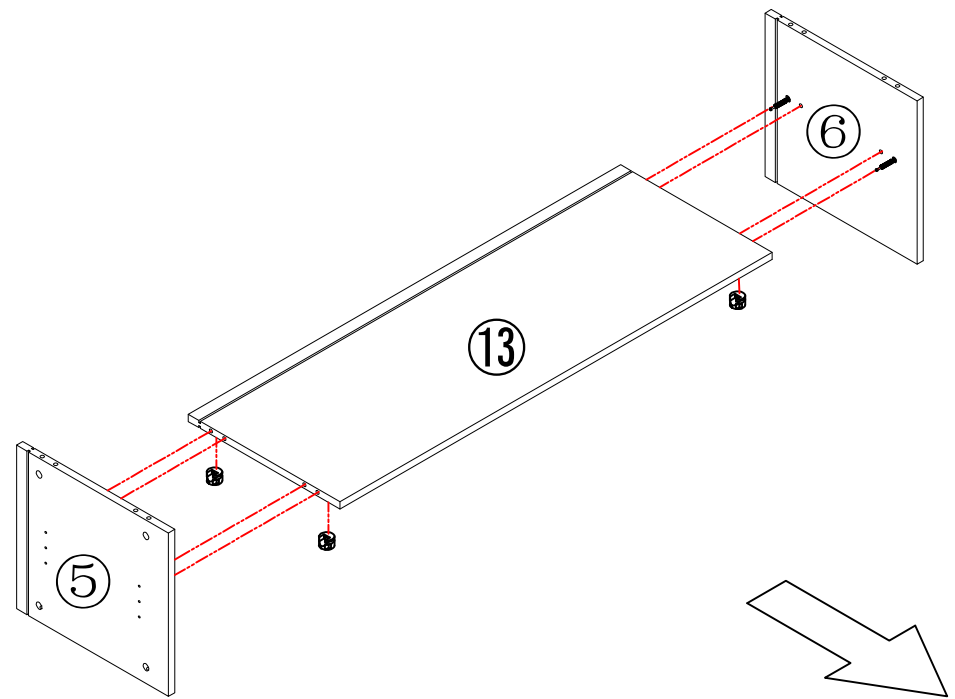
Put B on board ⑪⑫



B\*17



5

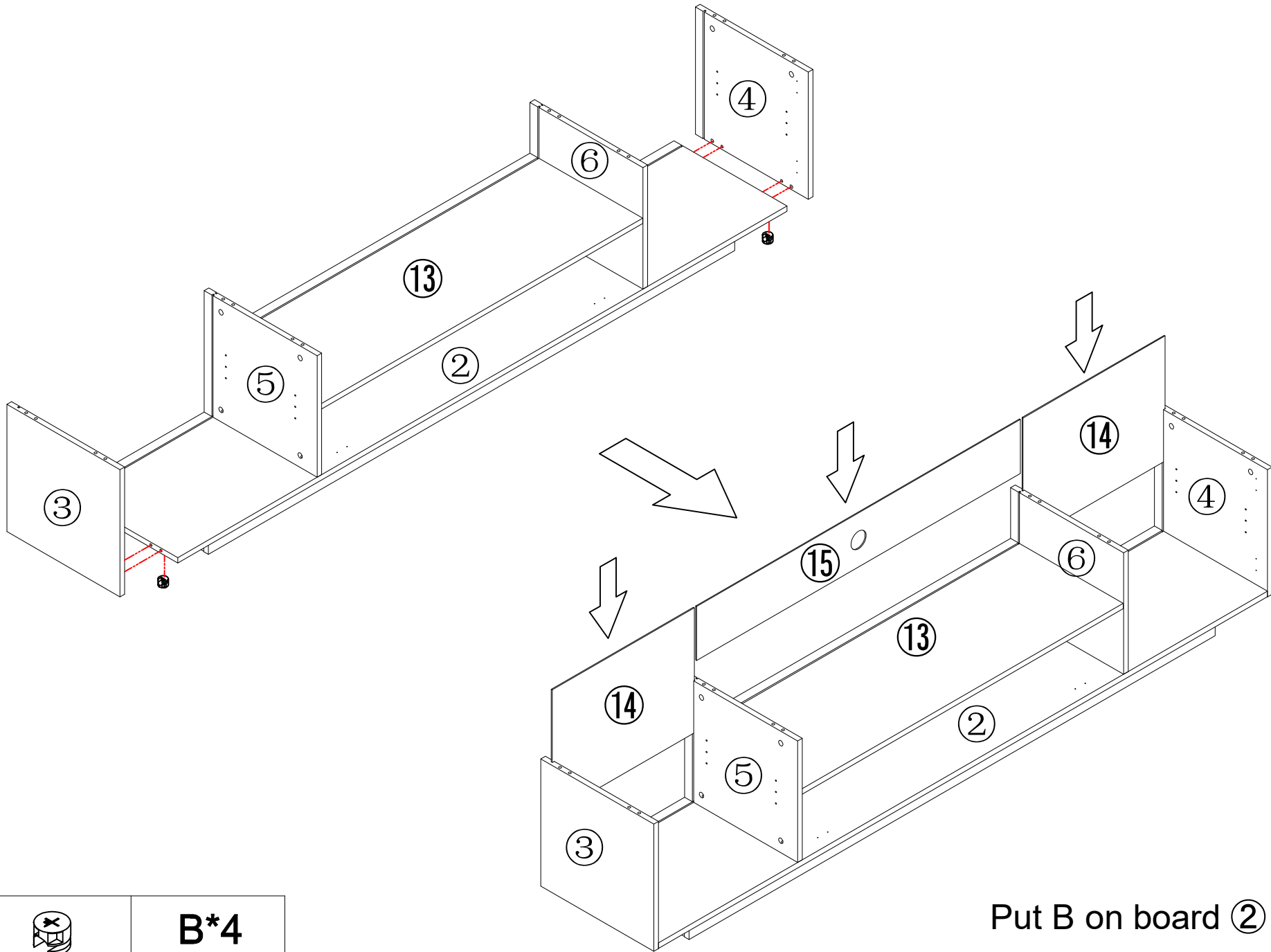


Put B on board ⑤⑥⑬



B\*8

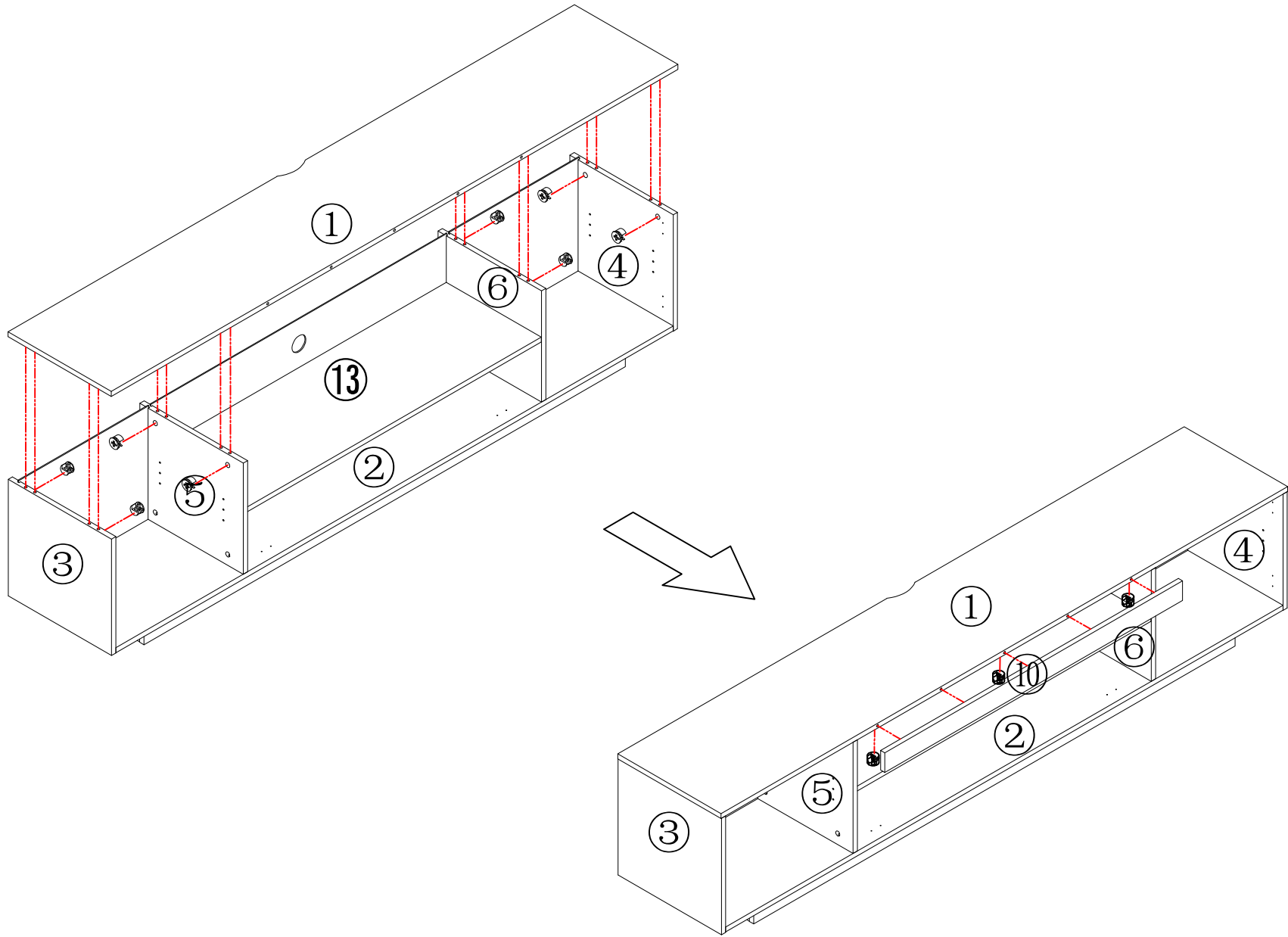
6



**B\*4**

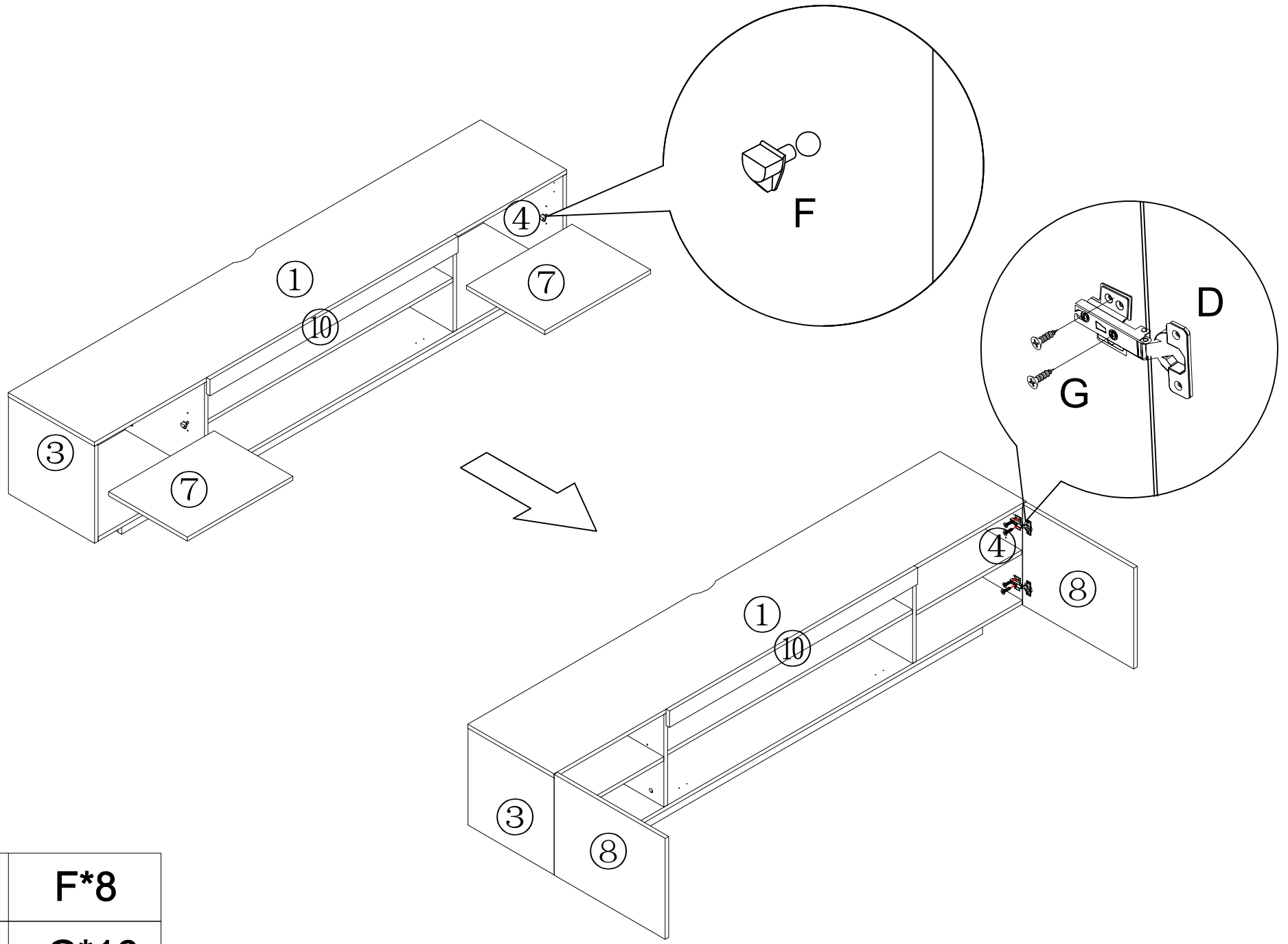
Put B on board (2)

7



**B\*11**

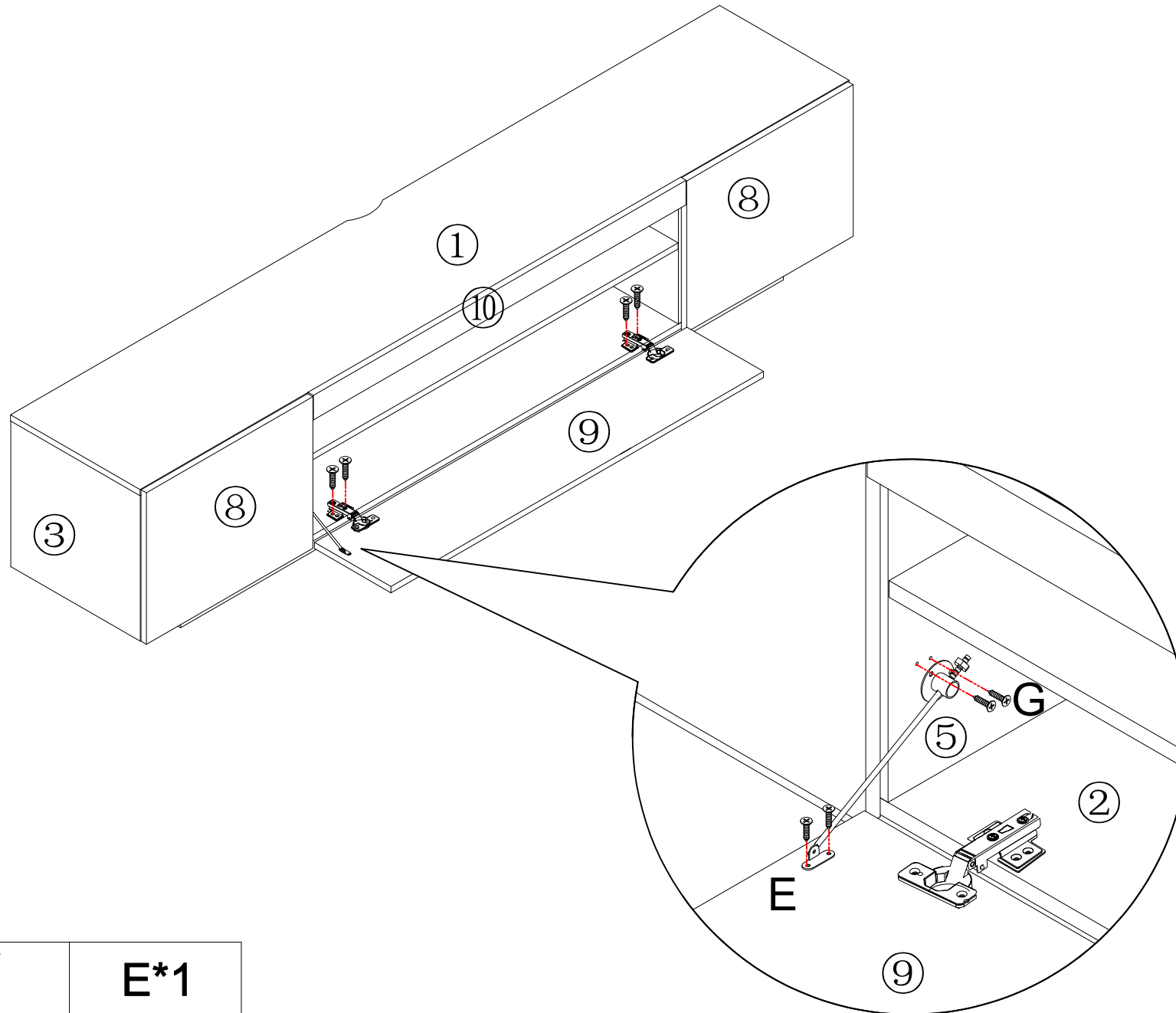
Put B on board ①③④⑤⑥



**F\*8**



**G\*16**

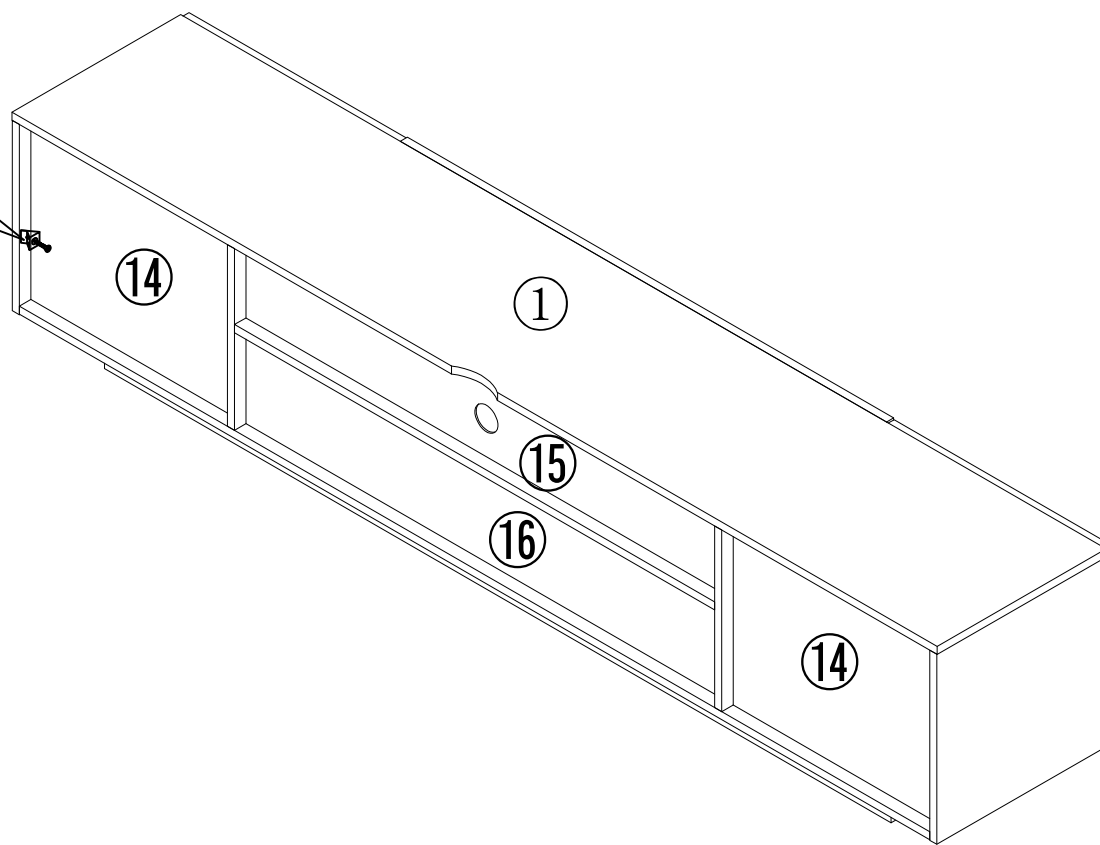
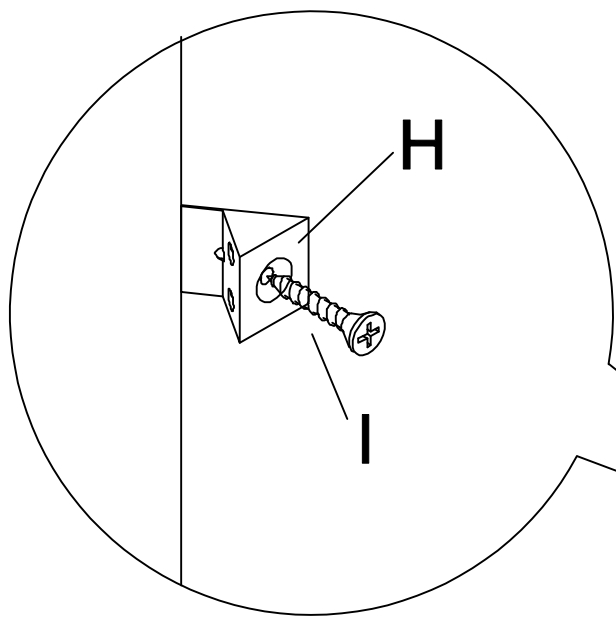


E\*1



G\*12

10



H\*20

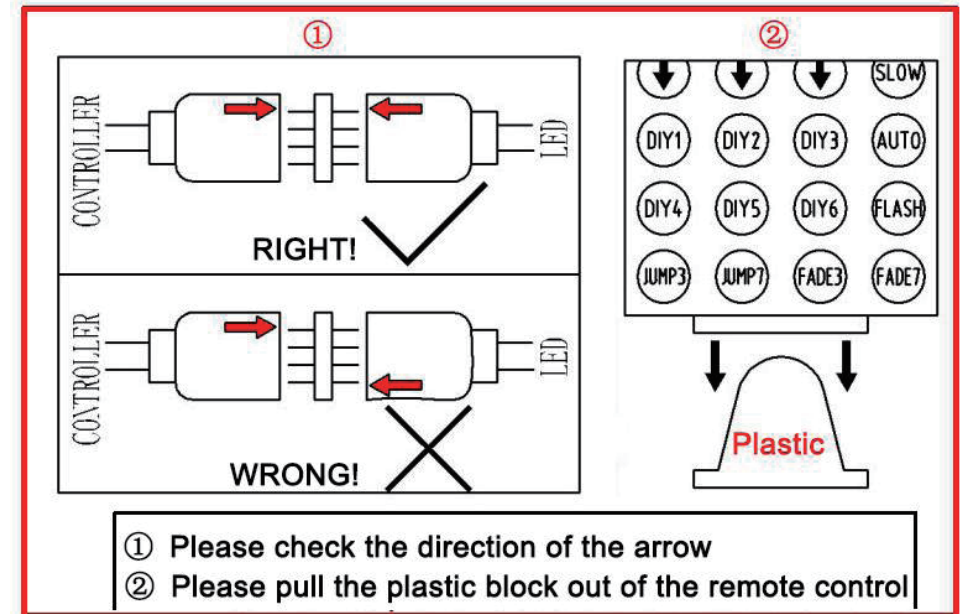


I\*20

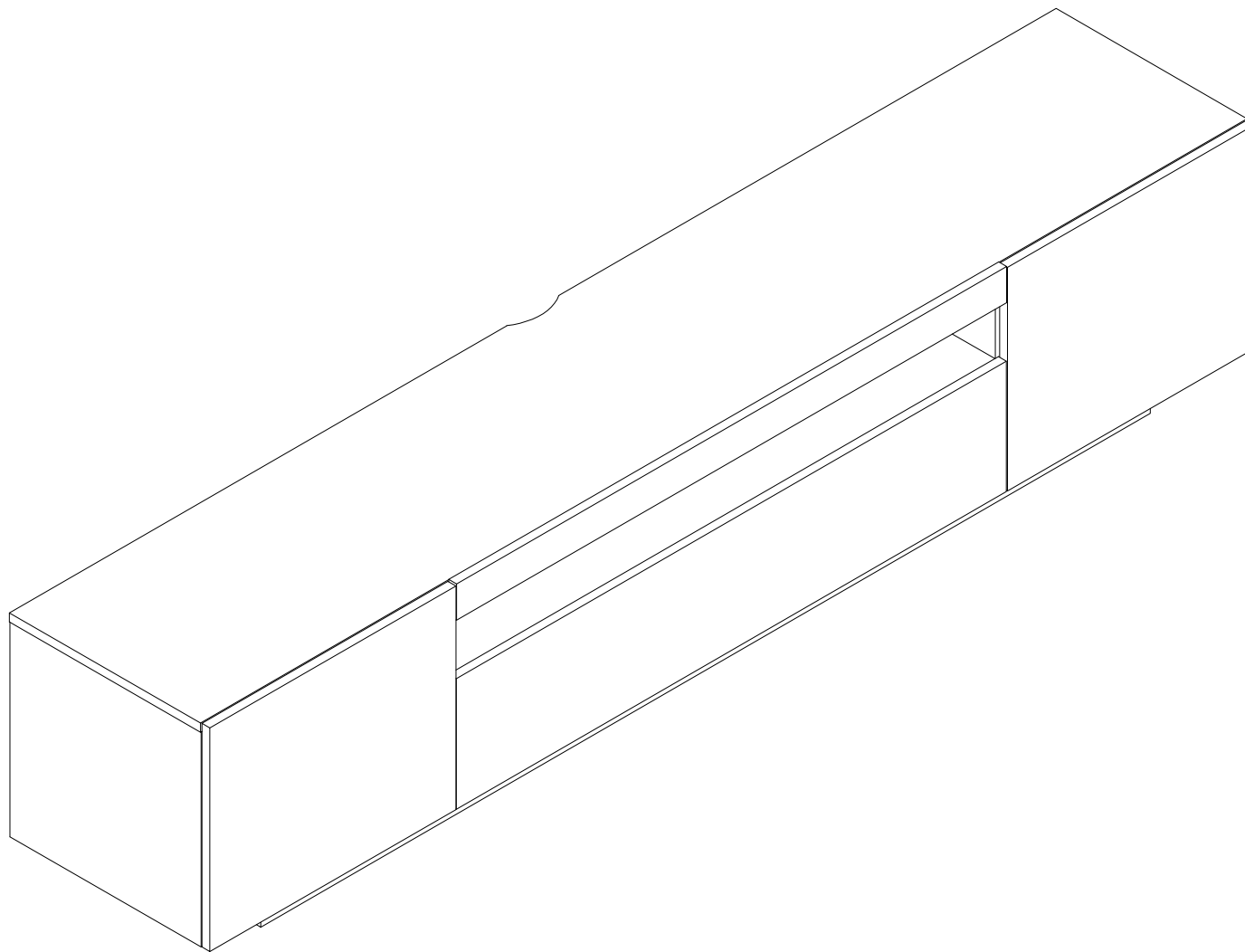
# LED Light

If you can't let the lights work successfully, please check the following:

1. Please check the direction of the connect, try it in the opposite direction, according to the following picture.
2. Please check the remote control, it need you to tear down the plastic septum before use it.
3. Don't let the remote control too far from the receiver, make sure there is no obstruction between them.



END



2108057ZBJMY