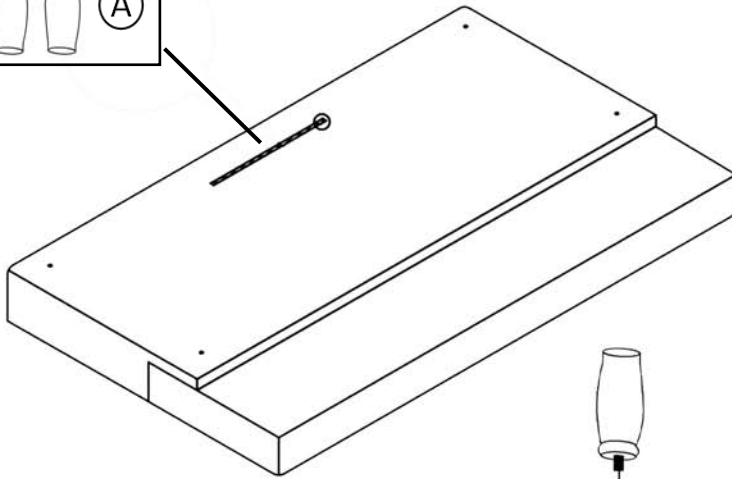
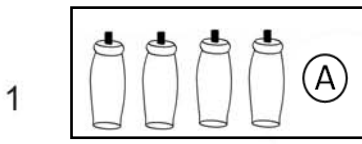
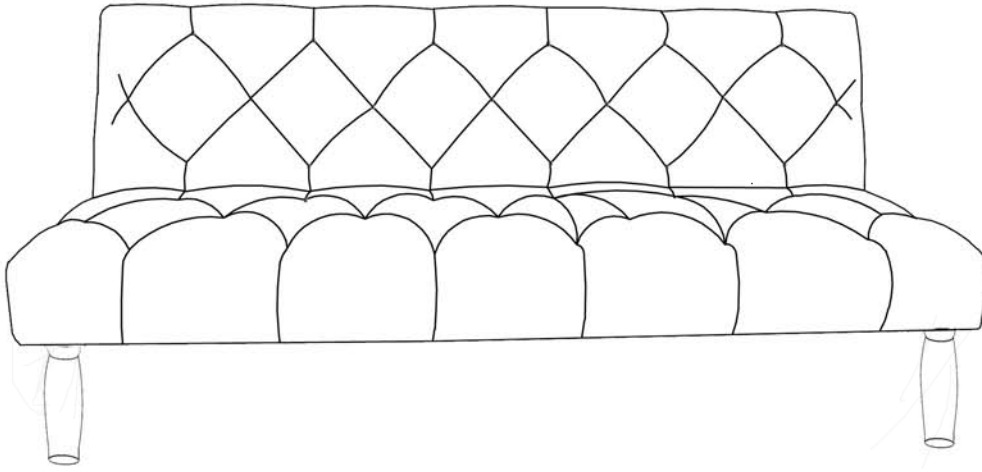
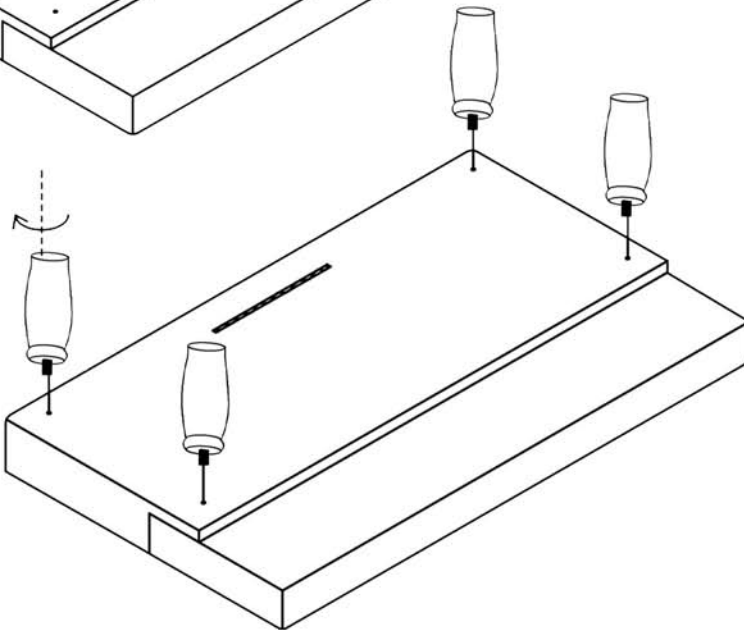


Assembly Instructions



2



3

