

# INSTRUCTION MANUAL

MODEL:1123-2LM

Congratulations, you now have a new function sofa with massage.

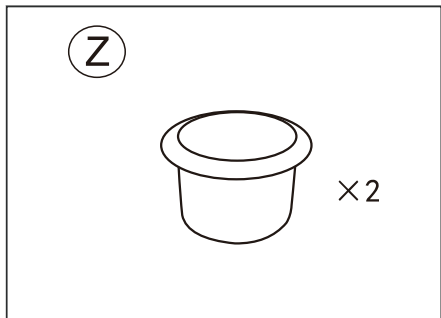
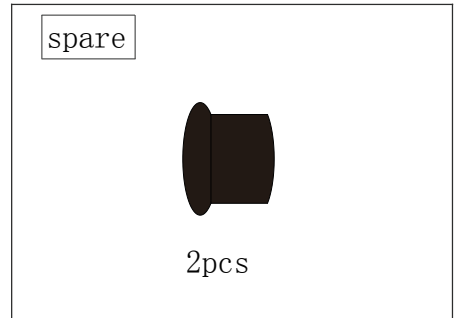
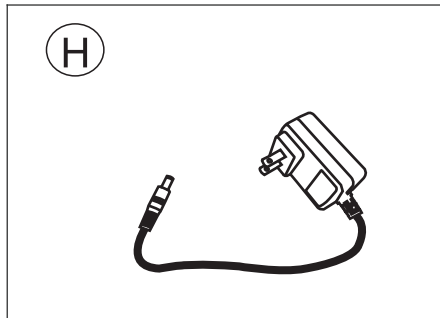
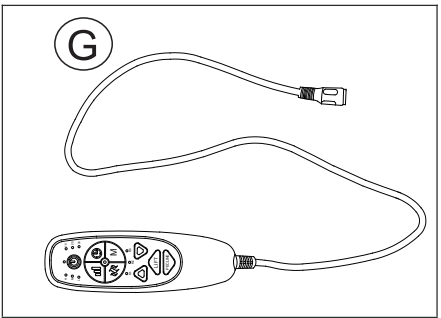
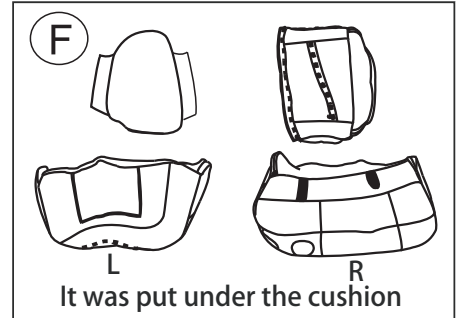
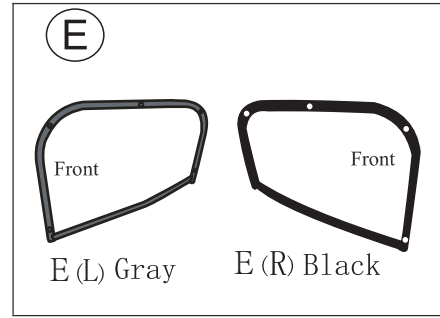
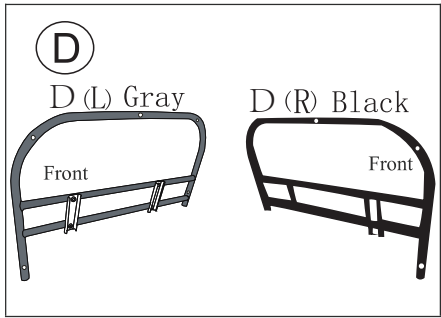
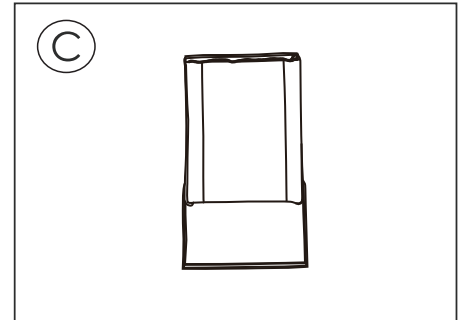
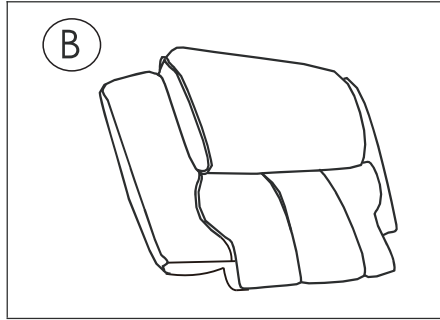
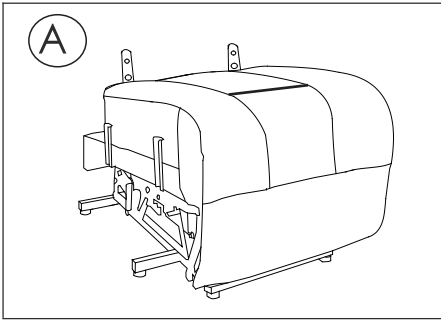
Before enjoy the comfort chair, you have to put it together. This Assembly Guide will take you through the basic assembly process. To make sure your assembly goes smoothly, please follow the assembly instructions, **and especially the important safety information.**

Also, while it is possible to assemble the chair on your own, **having a second person to help you makes it even easier.**

Before you begin, please check if there are any missing parts from the package. Should there be any issues, please don't hesitate to drop us an email and we'll help you out ASAP.

# PACKAGE LIST

02



# PACKAGE LIST

M



10pcs

N



10pcs

O



J



x2

K



x4

L



x4

Q



spare

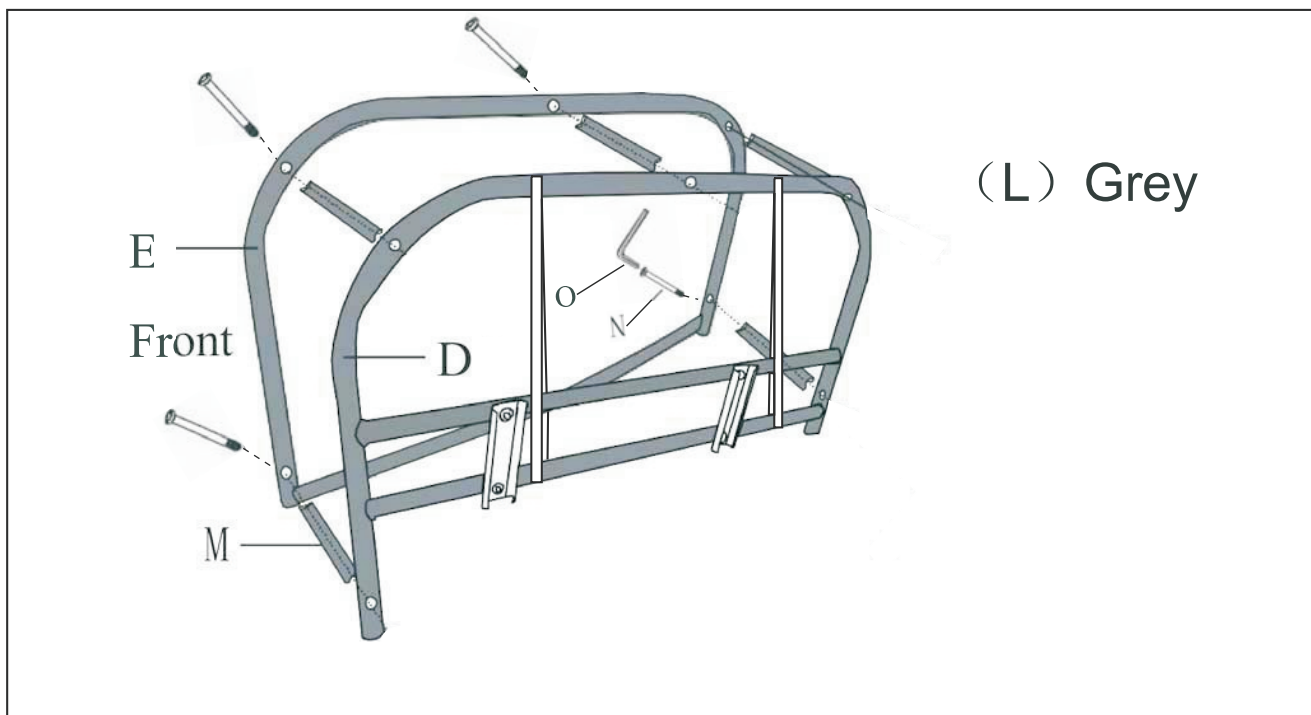


2 pcs

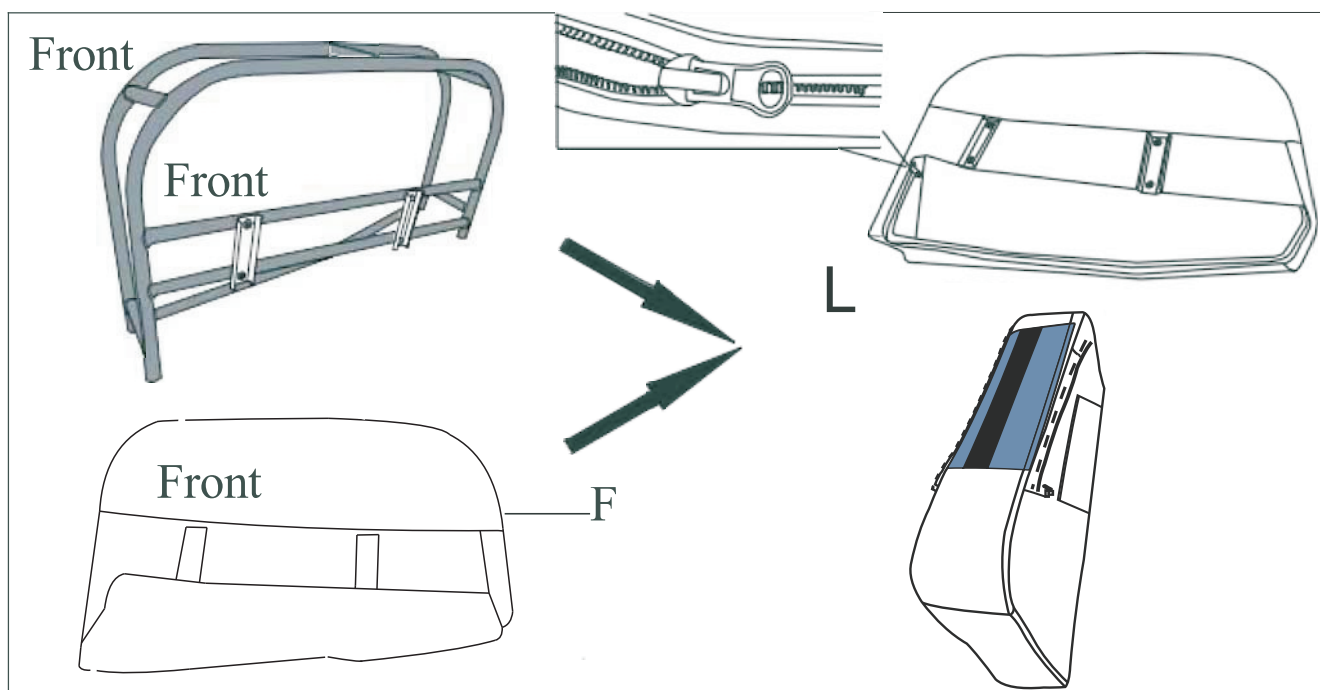
# ASSEMBLY IN STRUCTION

04

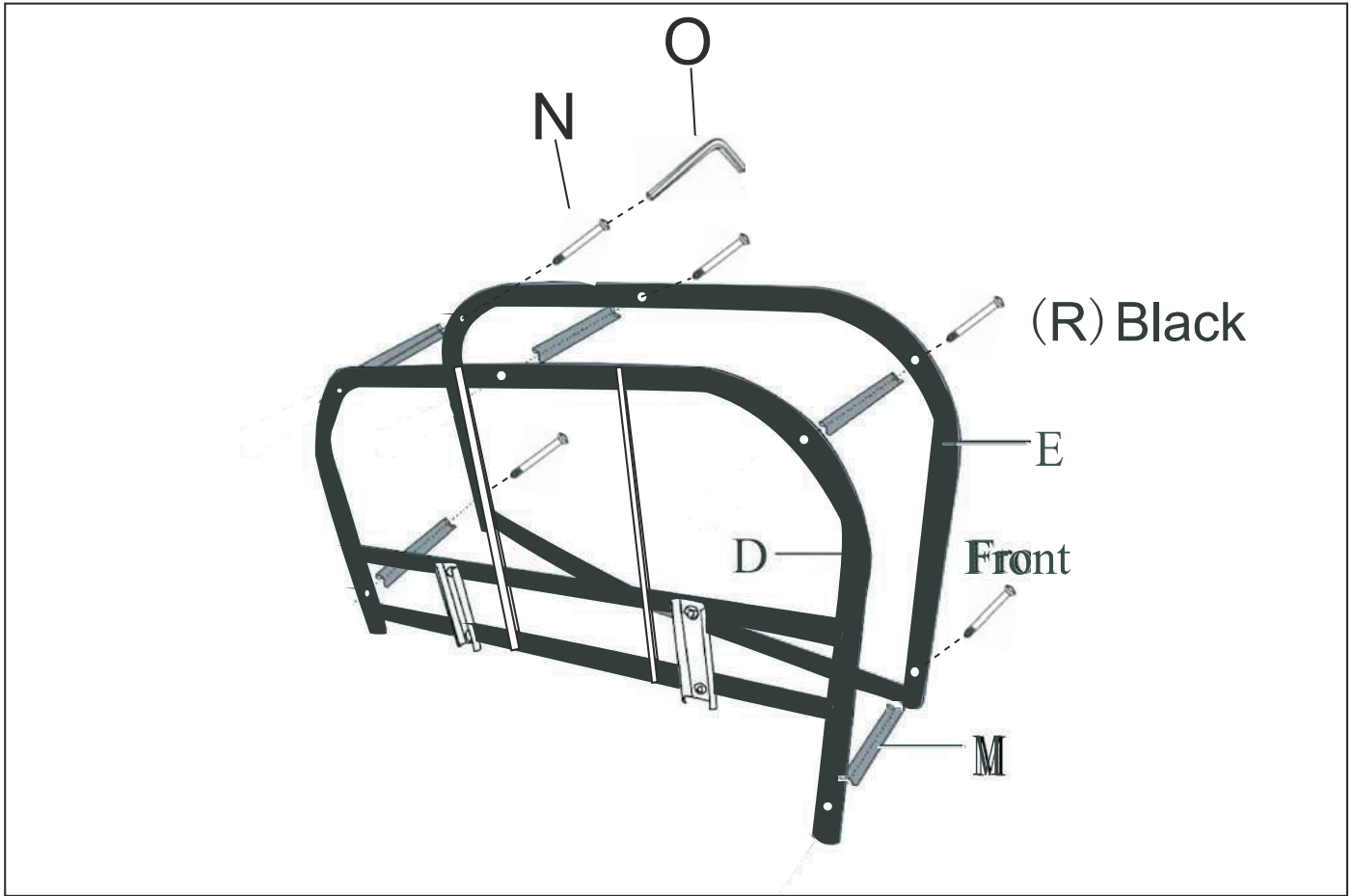
STEP 1: Use spanner O and screw N to pin through the inner iron frame D and the armrest pillar M to the outer frame E of the armrest. Tight all screws, please pay attention to distinguish the front and back of the armrest frame.



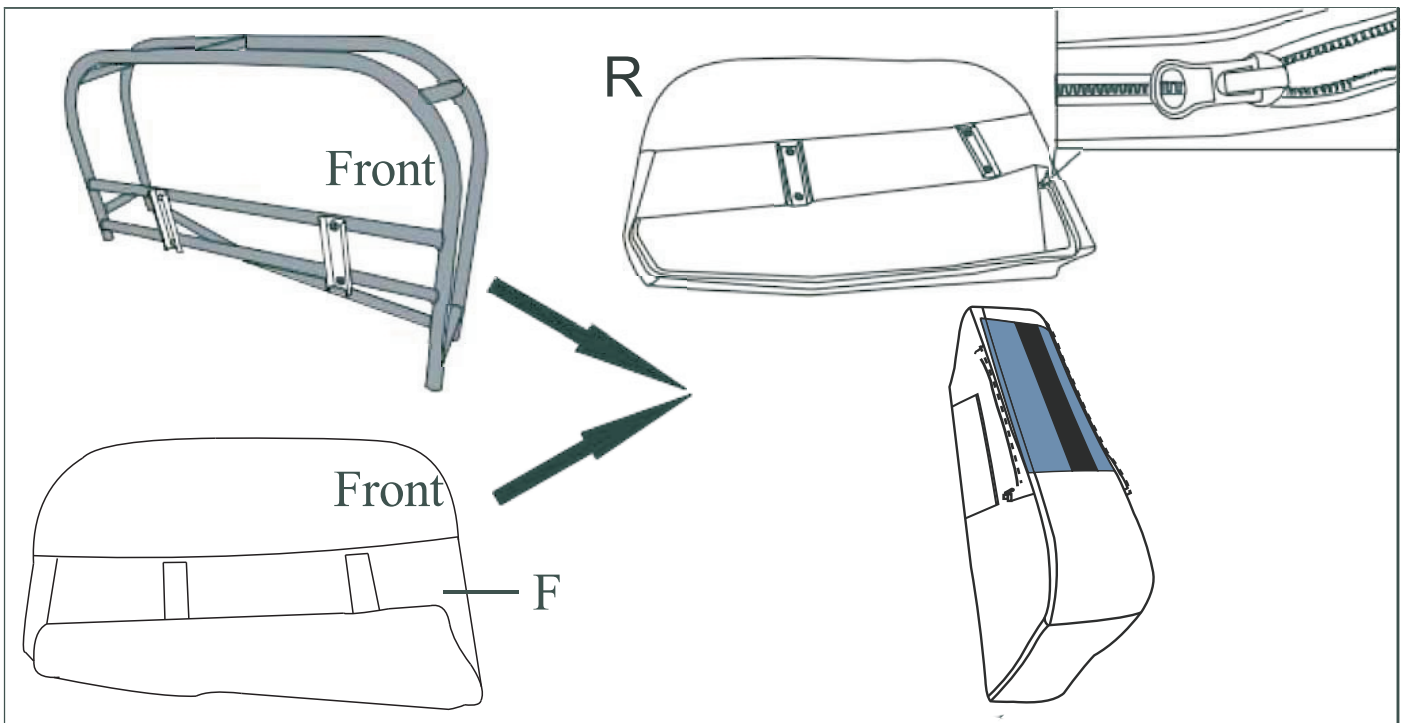
STEP 2: Align the armrest cover to armrest-assembled iron frame in sequence of left and right, back and forward. so that the cloth cover hole is aligned with the insert hole. Pull the zipper after all is OK.



STEP 3: Repeat Step 1.

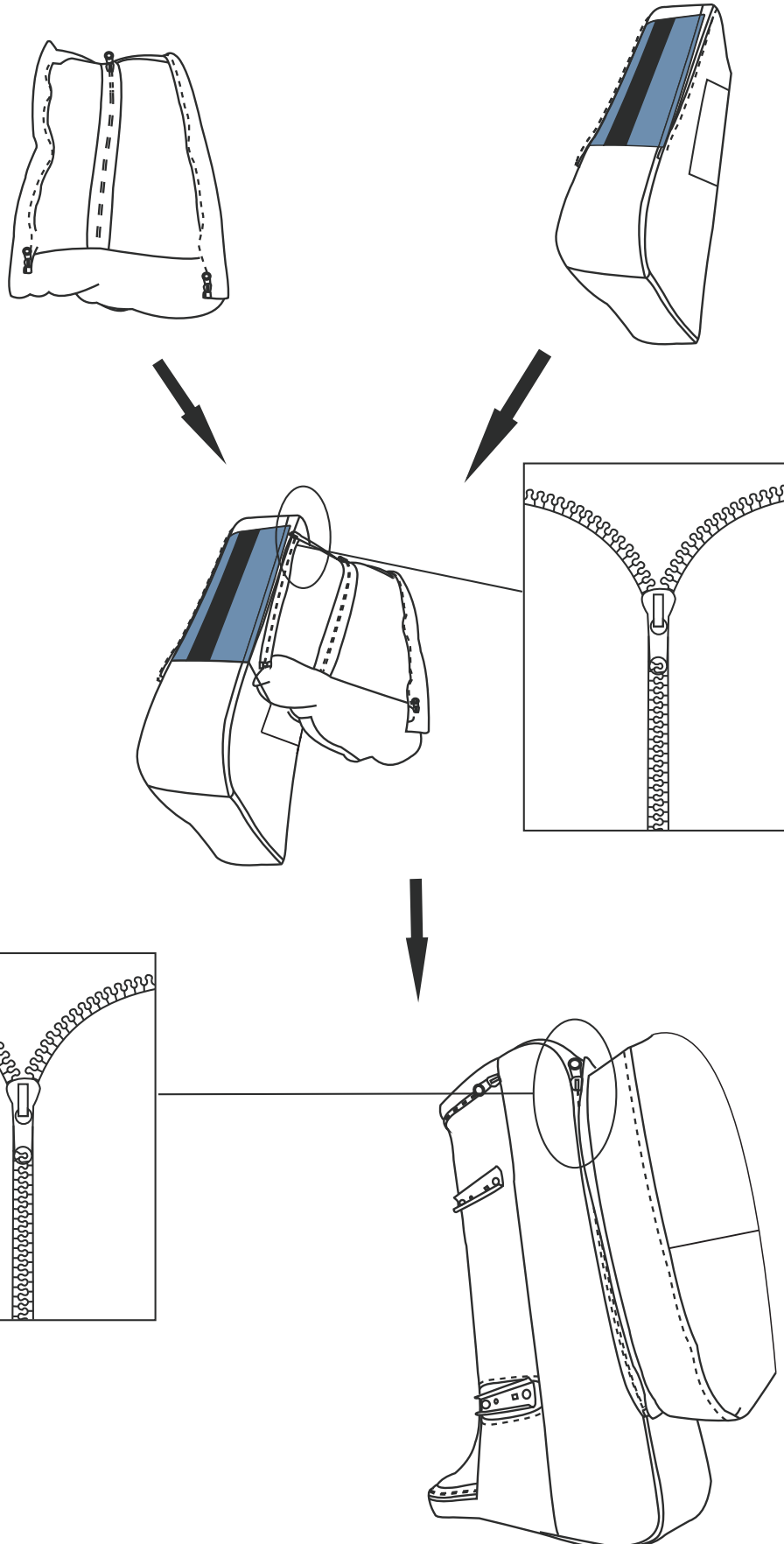


STEP 4: Repeat Step 2.



# ASSEMBLY IN STRUCTION

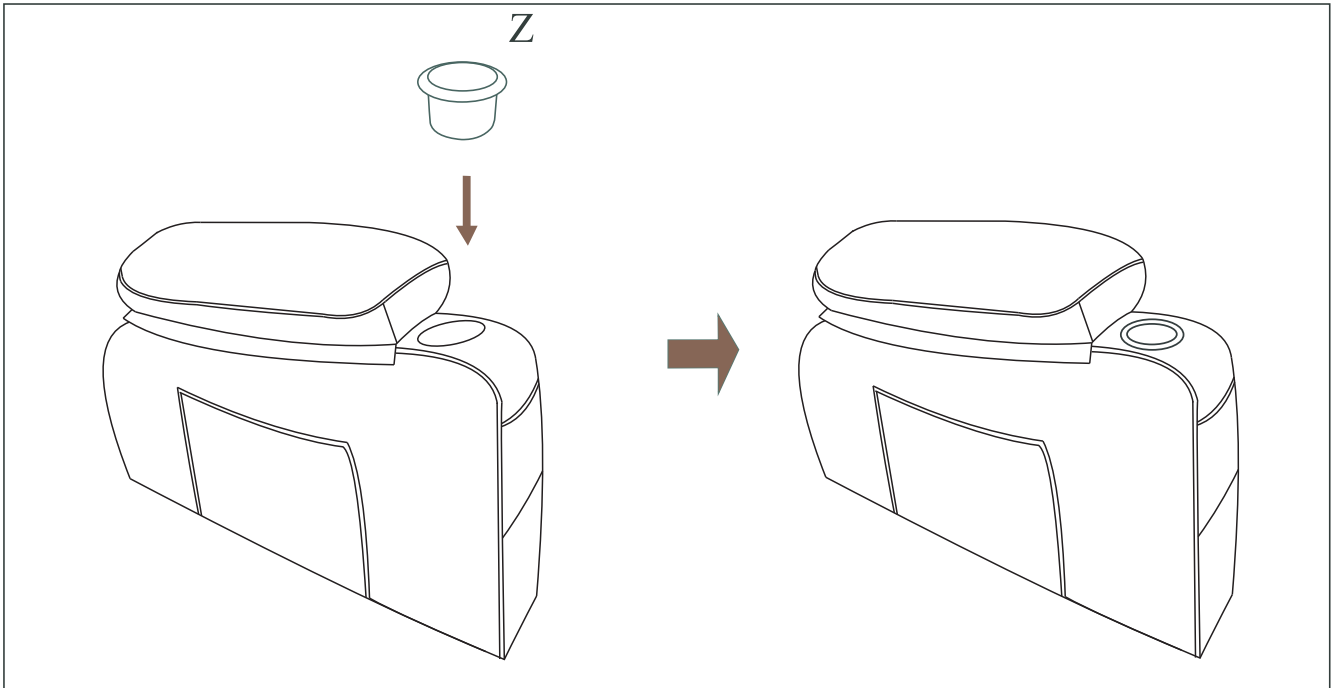
Please zip up both sides of the arm cushion



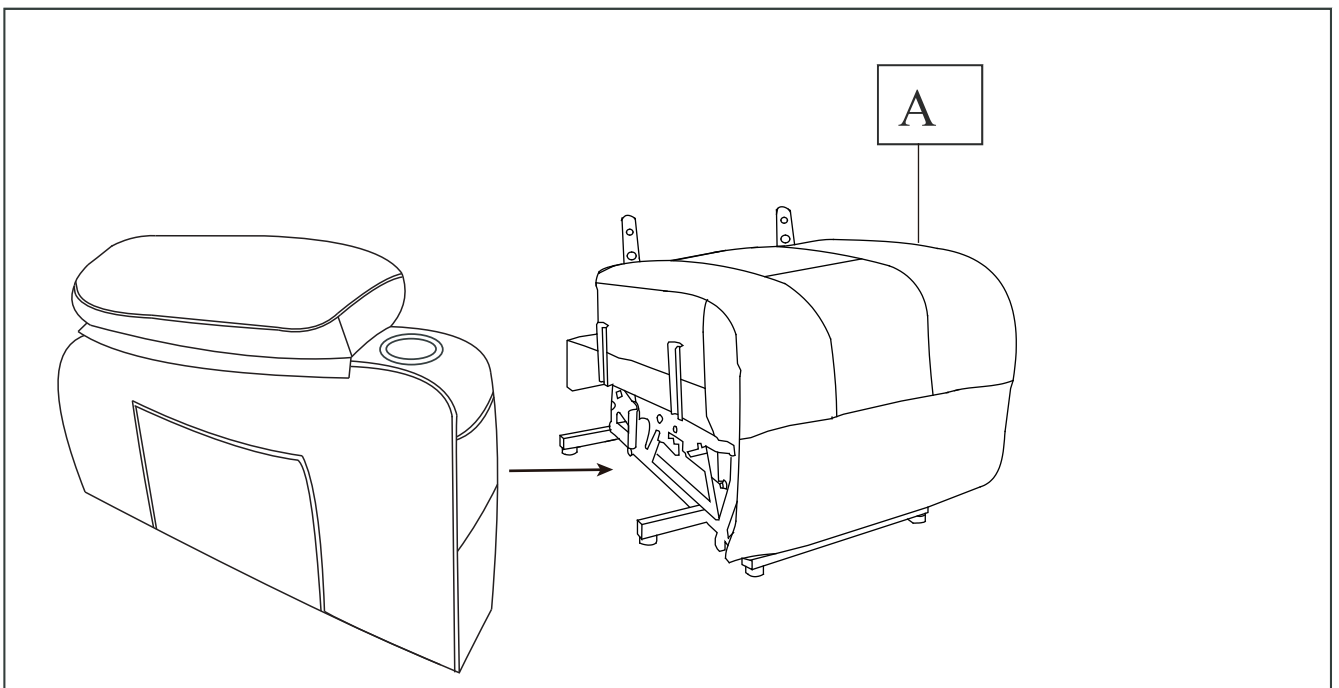
# ASSEMBLY IN STRUCTION

07

## STEP 5



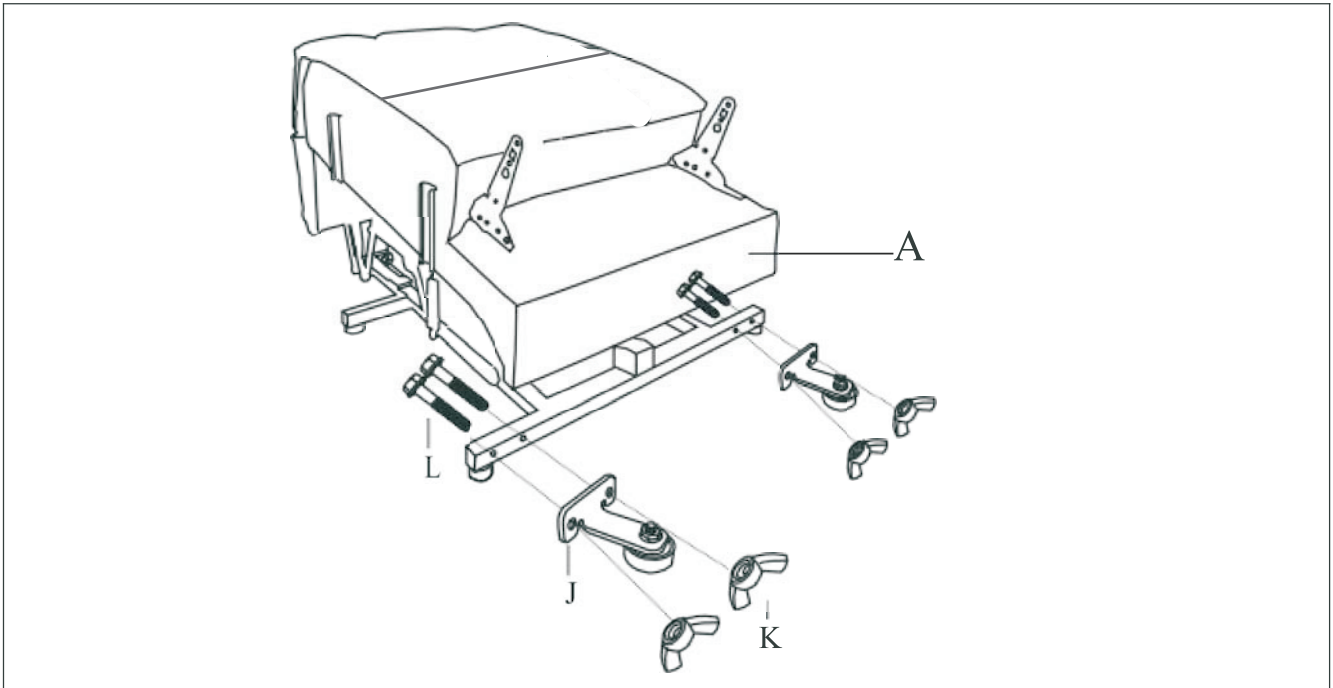
STEP 6: Insert arms so that they can fit into the seat, you will hear a “click” when they are engaged.



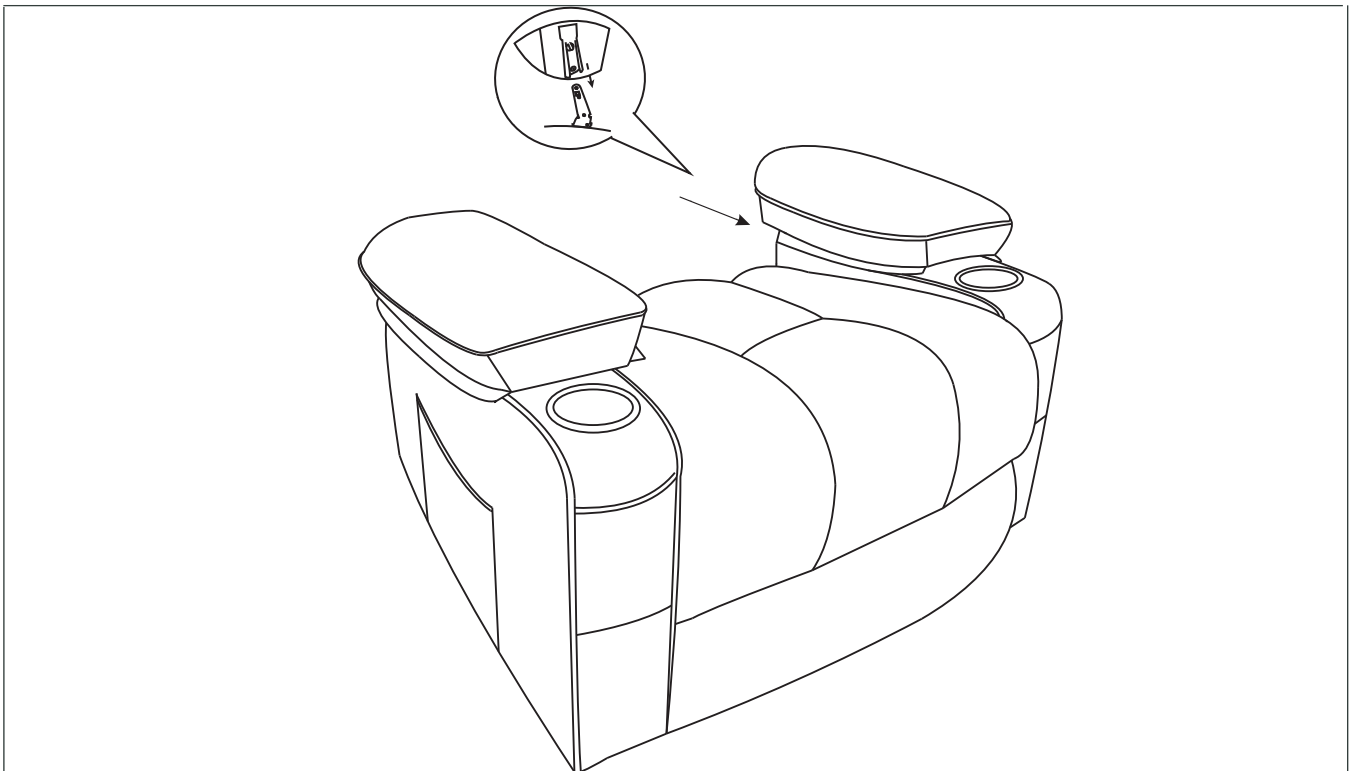


# ASSEMBLY IN STRUCTION

STEP 7 :Turn the screw L through the support frame K, seat cushion frame successively, and then lock it with the nut J and the screw L



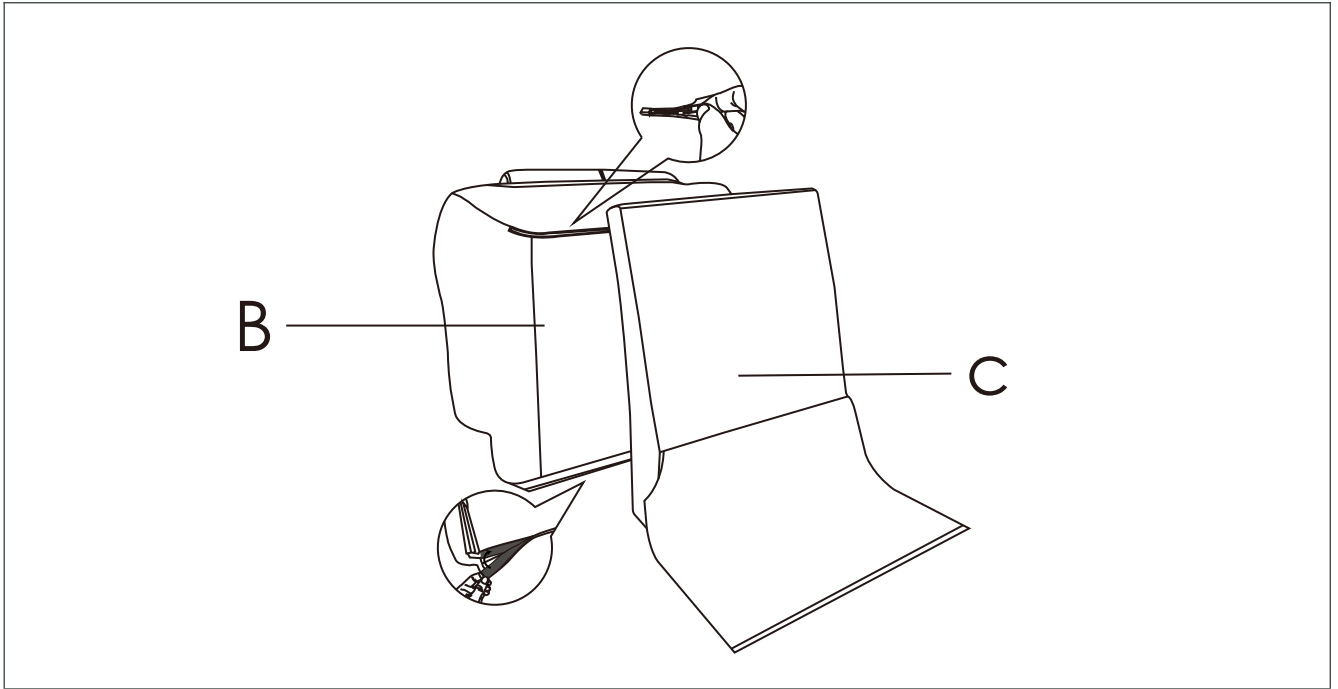
STEP 8 :Insert arms so that they can fit into the seat,you will hear a“ click” when they are engaged.



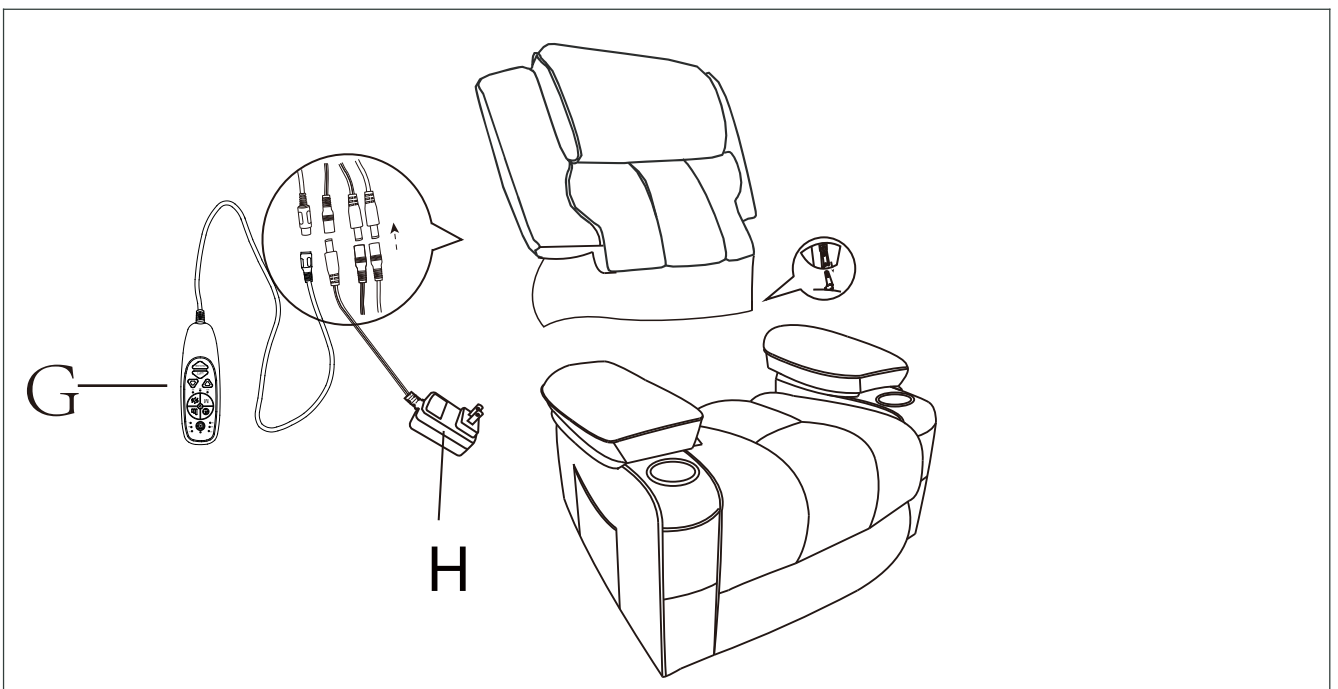
# ASSEMBLY IN STRUCTION

09

STEP 9 :Zip the backpack and back frame, and then connect the backpack and back frame with velcro.

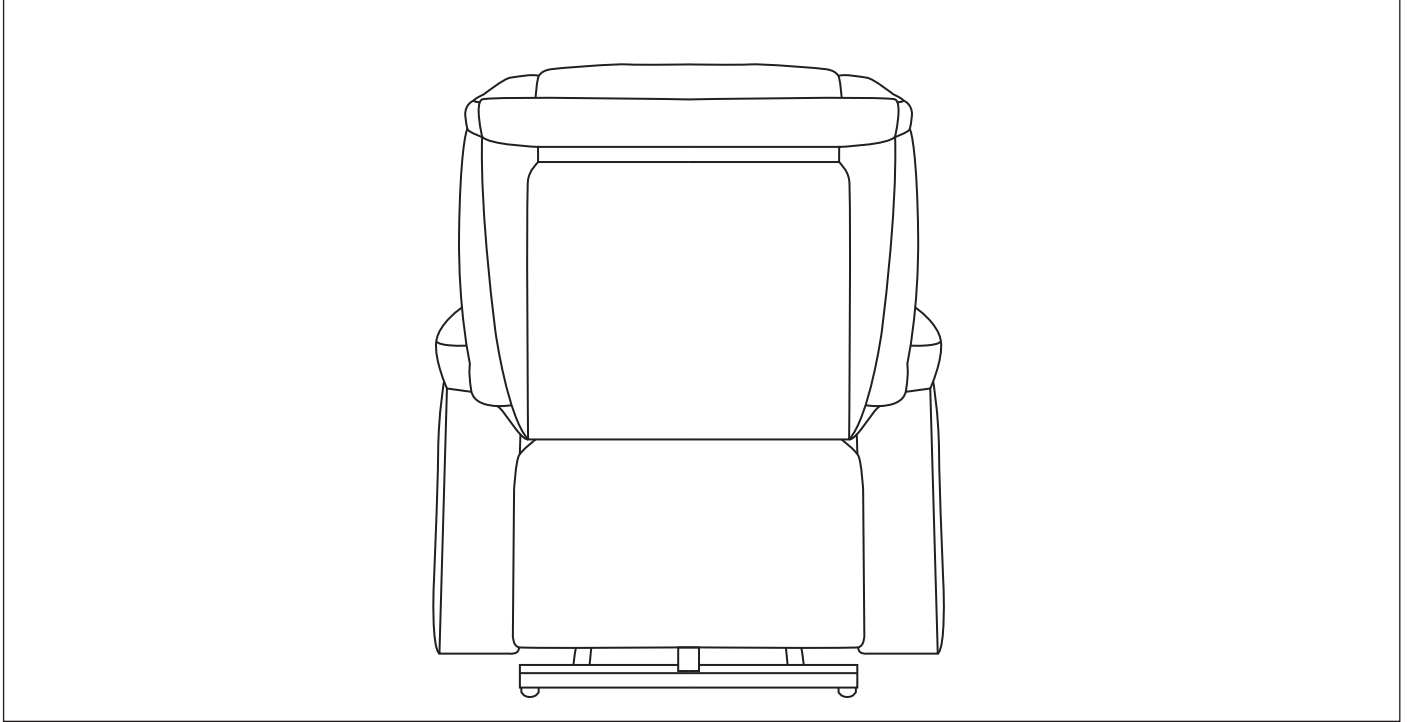


STEP10: Plug the back pad into the seat frame, and then connect the massager line white and white, red and red, black and power lines, and the massage line with the hand controller.

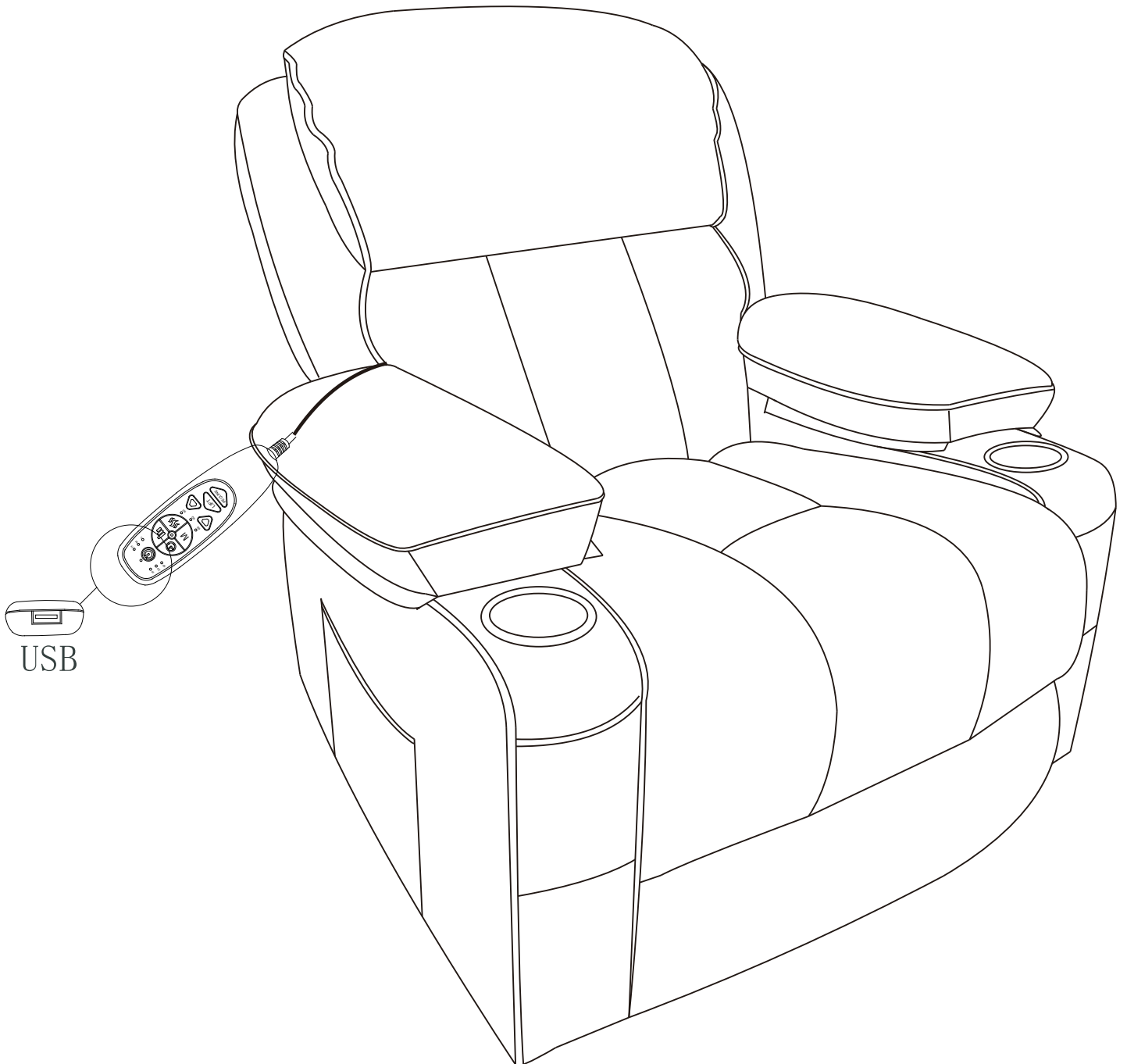


# ASSEMBLY IN STRUCTION

STEP11:Stick the velcro from the back frame to the seat frame.



*Congratulations! You've assembled*  
**Your Sofa!**

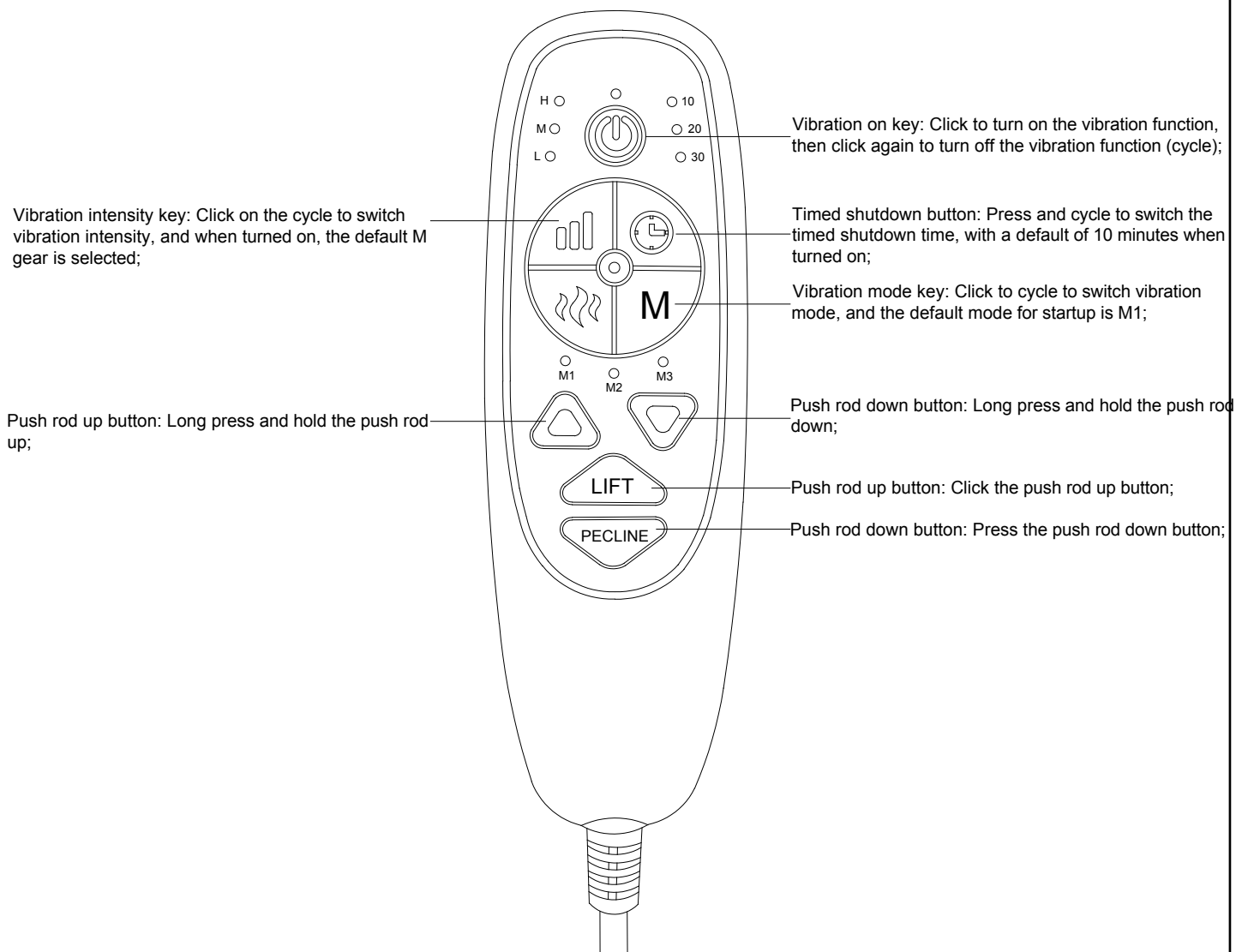


## READ ALL INSTRUCTIONS

## BEFORE USING THE ITEM

### REMOTE CONTROL

#### Function of remote



## I 、 Specifications of power adapter

Power on in standby state. The user can realize the function through the hand controller control

Input:AC100-240V,50Hz/60HZ;Output:DC12V1A.

## II 、 Product features

- 1、 Motor vibration at position 8
- 2、 1-way heating plate
- 3、 Three-segment timing, the default timing shutdown time is 10Min
- 4、 3rd gear vibration intensity
- 5、 5 vibration modes

## III、 Function details

- 1、 ON/OFF: Switch on and of
- 2、 TIME: Positioning cycle by massage time (10/20/30 min) , Boot default 10min
- 3、 MODE: Tap the five vibration modes to switch (M1/M2/M3/M4/M5) , The default startup mode is M4
- 4、 INT: Switch point by vibration intensity (H/M/L) ,Boot the default M file (medium Files)
- 5、 HEAT: Click heating switch circulation
- 6、 PART: Vibration positioning key , Boot the default vibration is full on, tap to switch to a single part vibration
- 7、 Strength indicator
- 8、 Time indicator
- 9、 Mode indicator

## Warnings

- Sit down in the chair gently. To avoid tipping over, do not throw yourself into the chair. Move the chair into the reclining position slowly, making sure that no children or pets are in close proximity. Do not allow children to play on or around the chair, particularly when it is in an open position.
- Close the recliner completely before getting out of it.
- Never sit on the footrest when it is open, even if it is a child.
- To eliminate the risk of tipping over, do not sit on the arms or footrest of the chair.
- This chair is designed to be used by 1 adult at a time.
- Maximum weight capacity is 330LBS, Do not allow any person who over 330LBS to sit on the recliner.
- Please forbid people with the following ailments from using this sofa: Those people with severe symptoms of heart disease, high blood pressure, cerebral thrombosis and others who are sensitive to heat or completely insensitive to heat, those with brittle bones or have issues with waist support pregnant women, children and others where it has been determined they are not suitable to use this product under the guidance of doctors.
- To fully recline the sofa, ensure the sofa well, you need to put the sofa at least 19 inches away from the wall or any other obstacle.
- Product cannot touch water, fire, etc. Product can also not come in contact with sharp objects (knives, nails, etc.)

## Maintenance Manual Instructions

- To avoid dropping, you should carry the sofa carefully.
- If you find dirt and or stains on the chair, spray the sofa with a sofa specific cleaner then use a sponge or cloth to wipe the dirt away. Do not use water, soapy water or cleaner with waxed wooden areas. Take care to wipe the sofa carefully and gently.
- Do not put the sofa in an area with direct sunlight and do not put the sofa directly in front of an air conditioner, this will fade the upholstery and make it brittle.

## How to Disassemble

Please find a strong tool to prod the small piece of metal grooves, then the backrest will be pulled out. The tool is not included.

