

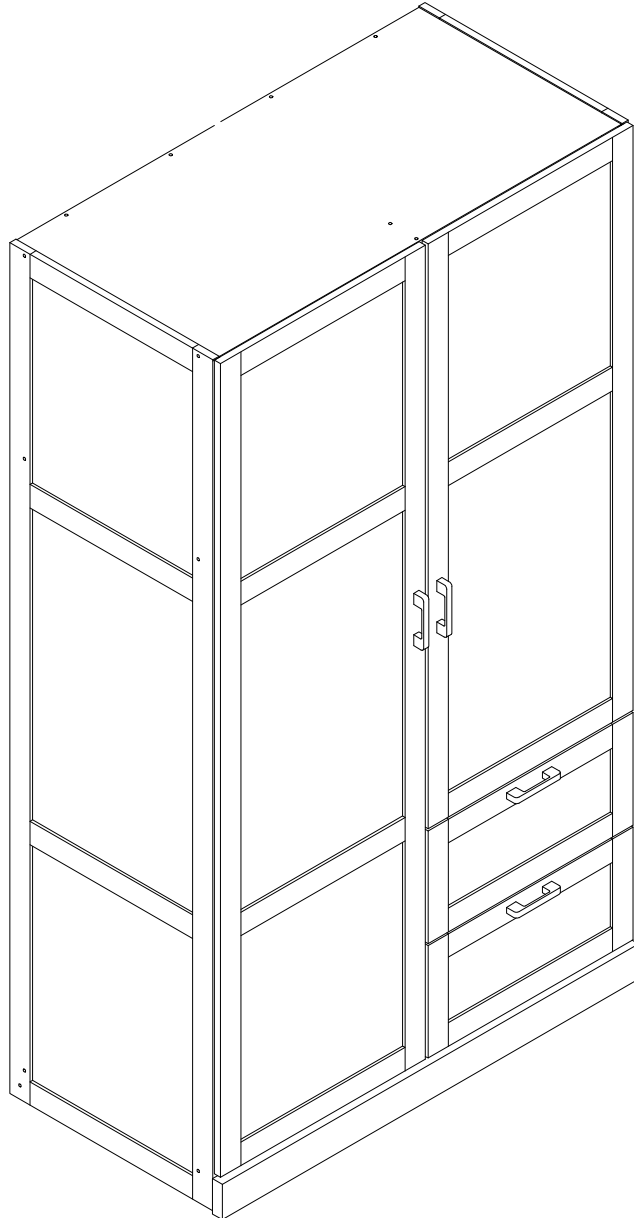
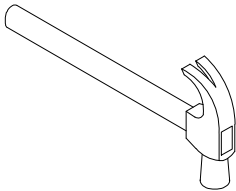
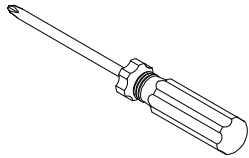
Assembly Instruction

Item No : 96004

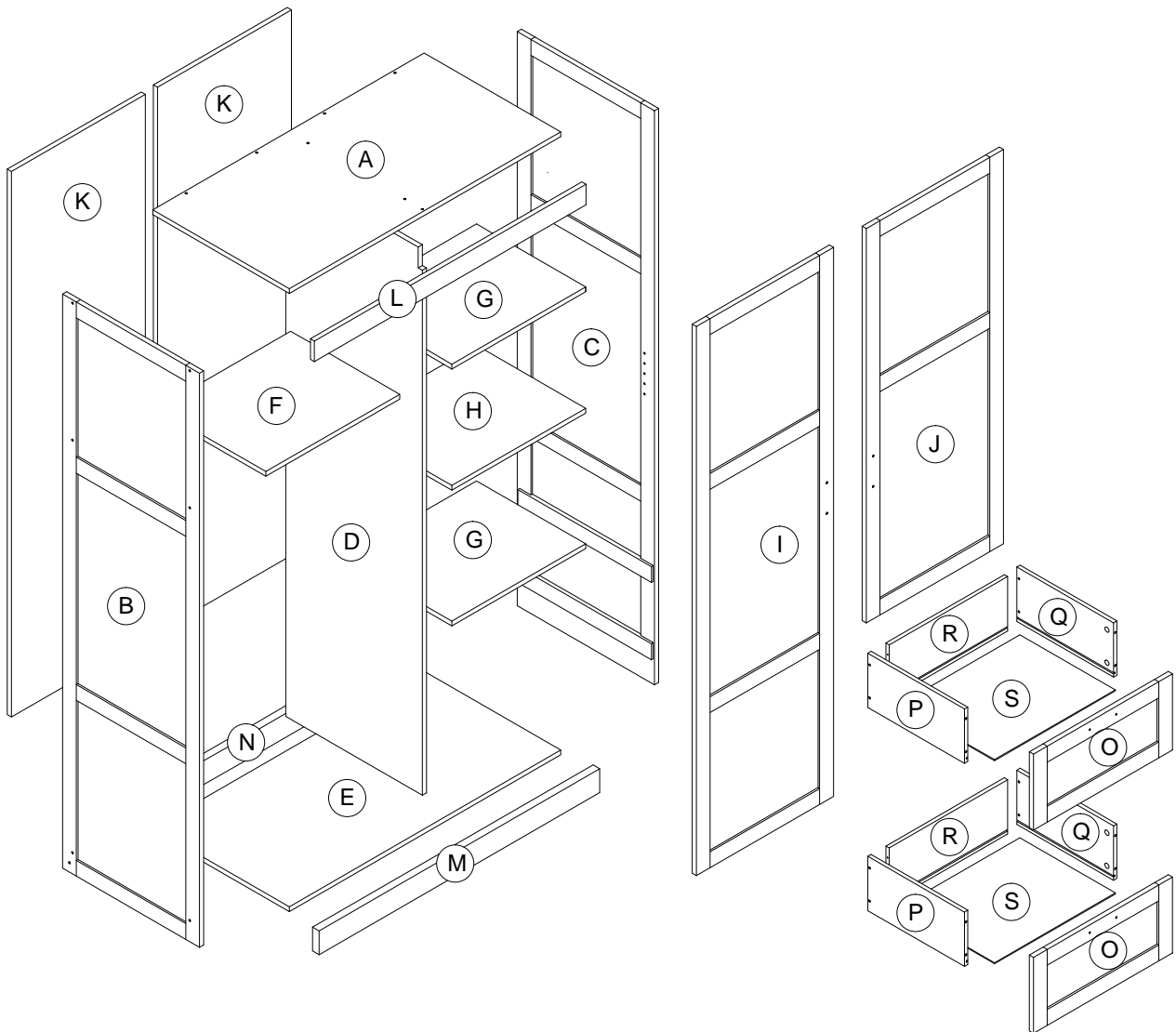
Description: 2 Door + 2 Drawer Wardrobe



TOOL REQUIRED



PARTS LIST



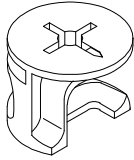
A	TOP PANEL (1)	H	ADJUSTABLE SHELF (1)	O	DRAWER FACE (2)
B	LEFT SIDE PANEL (1)	I	LEFT DOOR (1)	P	LEFT DRAWER SIDE (2)
C	RIGHT SIDE PANEL (1)	J	RIGHT DOOR (1)	Q	RIGHT DRAWER SIDE (2)
D	CENTER PANEL (1)	K	BACK PANEL (2)	R	BACK DRAWER (2)
E	BOTTOM PANEL (1)	L	TOP RAIL (1)	S	DRAWER BASE (2)
F	LEFT SHELF PANEL (1)	M	FRONT LEG (1)		
G	RIGHT SHELF PANEL (2)	N	BACK LEG (1)		

USEFUL HINTS BEFORE YOU START:

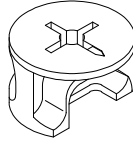
1. Read each step carefully before starting.
2. It is important that each step is performed in correct order to avoid difficulties.
3. Identify, soft and count the parts before assembly.
4. Assemble your furniture on packaging cardboard to prevent scratch or damage.
5. Clean the product with mild cleanser using soft damped cloth. Do not use harsh or abrasive cleanser.
6. Using incompatible hardware might cause damage to product.

HARDWARE LIST

1 LARGE HIDDEN CAM - 10



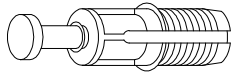
2 SMALL HIDDEN CAM - 8



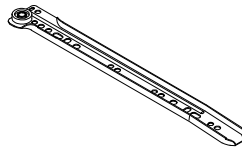
3 CAM SCREW - 16



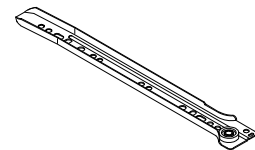
4 EG BOLT (BLACK) - 2



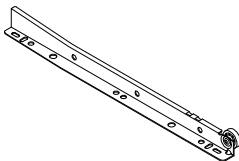
5 CABINET LEFT - 2



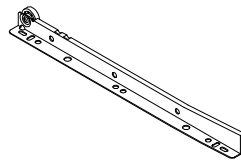
6 CABINET RIGHT - 2



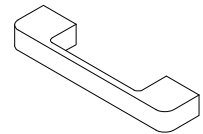
7 DRAWER LEFT - 2



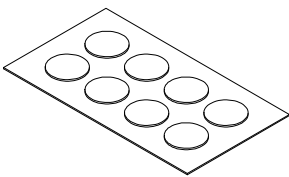
8 DRAWER RIGHT - 2



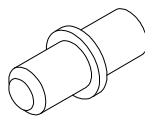
9 HANDLE - 4



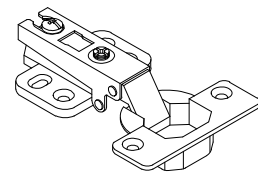
10 STICKER - 18



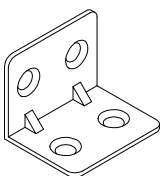
11 METAL PIN - 4



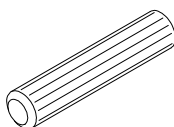
12 HINGE - 6



13 METAL BRACKET - 6



14 WOOD DOWEL - 26



15 1/2" FLAT HEAD SCREW - 52

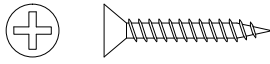


HARDWARE LIST

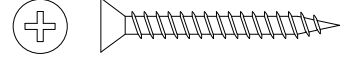
16 3/4" MACHINE
SCREW - 8



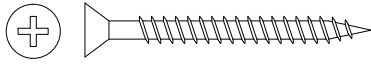
17 3/4" FLAT
HEAD SCREW - 8



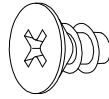
18 1-1/2" FLAT HEAD
SCREW - 8



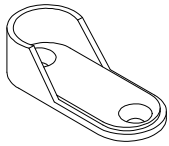
19 1-3/4" FLAT HEAD
SCREW - 33



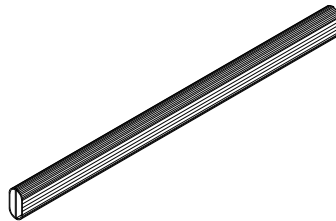
20 M6.3 x 10MM ZB EURO
SCREW - 12



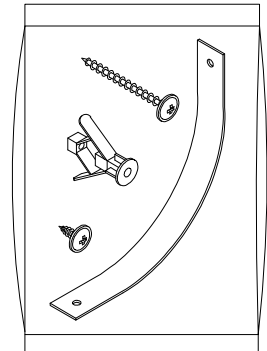
21 HANGING
BRACKET - 2




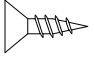
22 METAL HANGING ROD



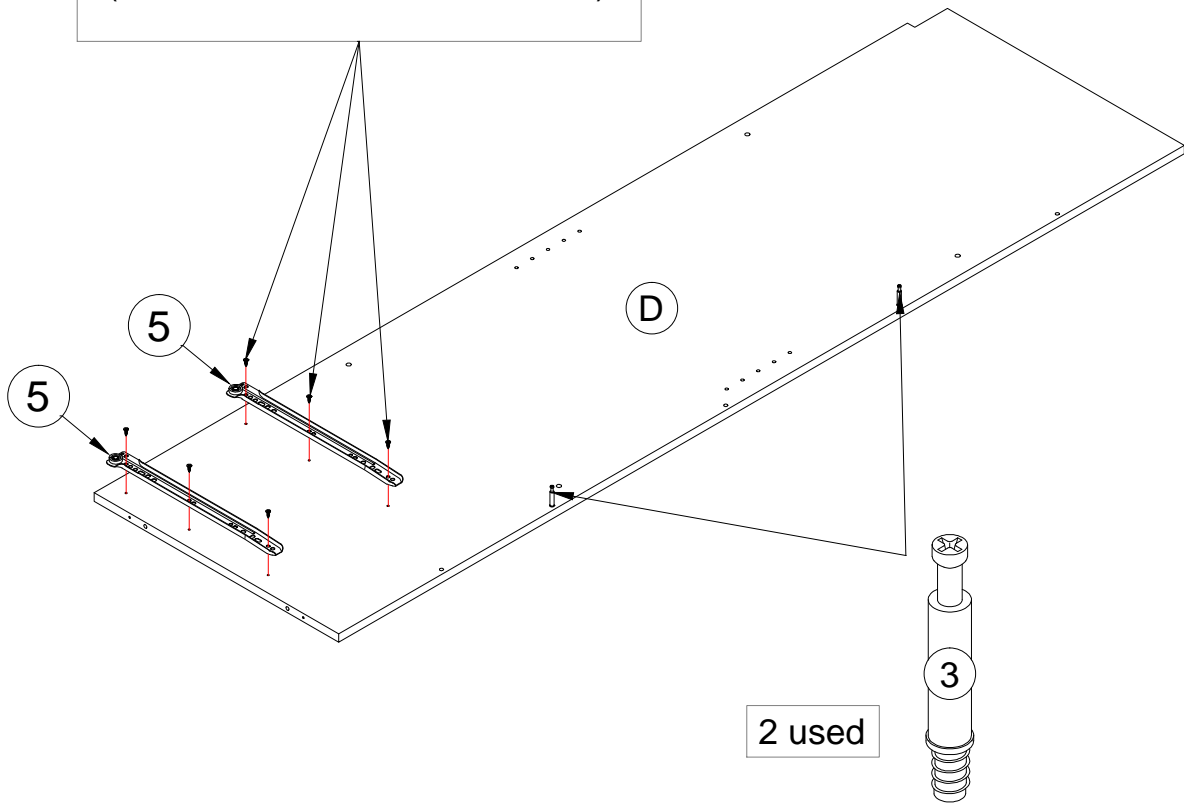
96 FURNITURE TIPPING
RESTRAINT KIT - 1



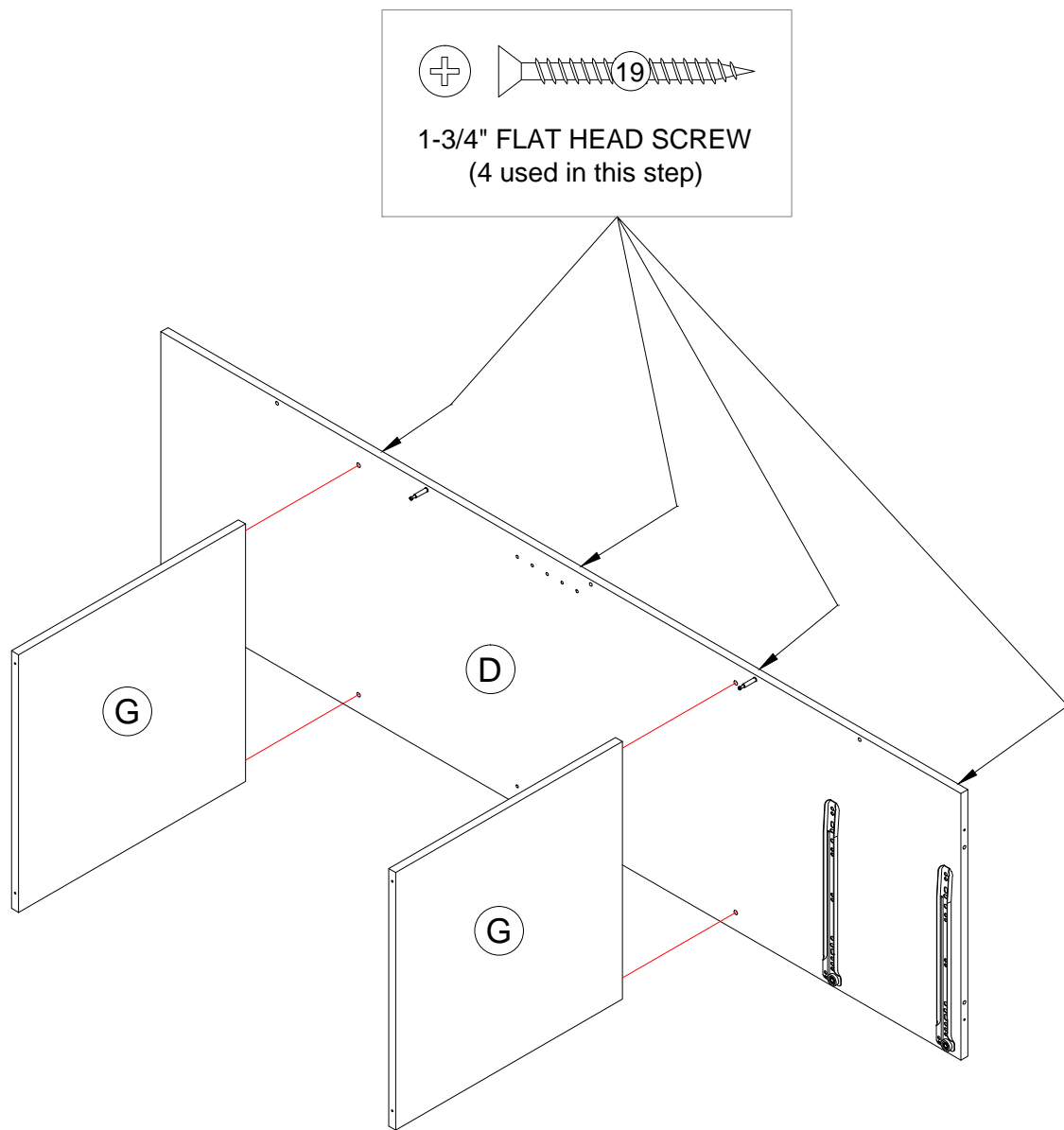
Step 1

  — 15

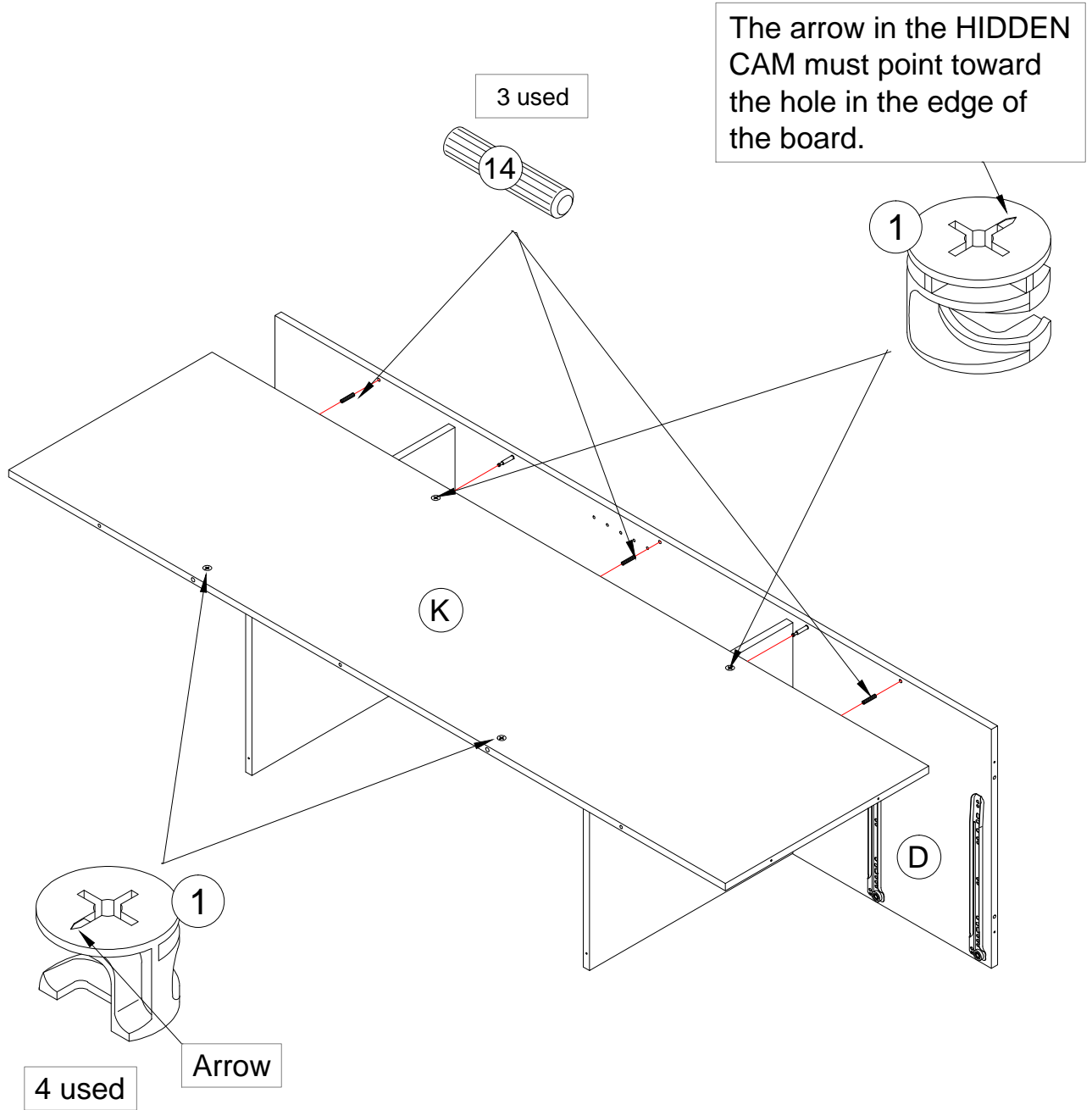
1/2" FLAT HEAD SCREW
(6 used for the CABINET LEFT)



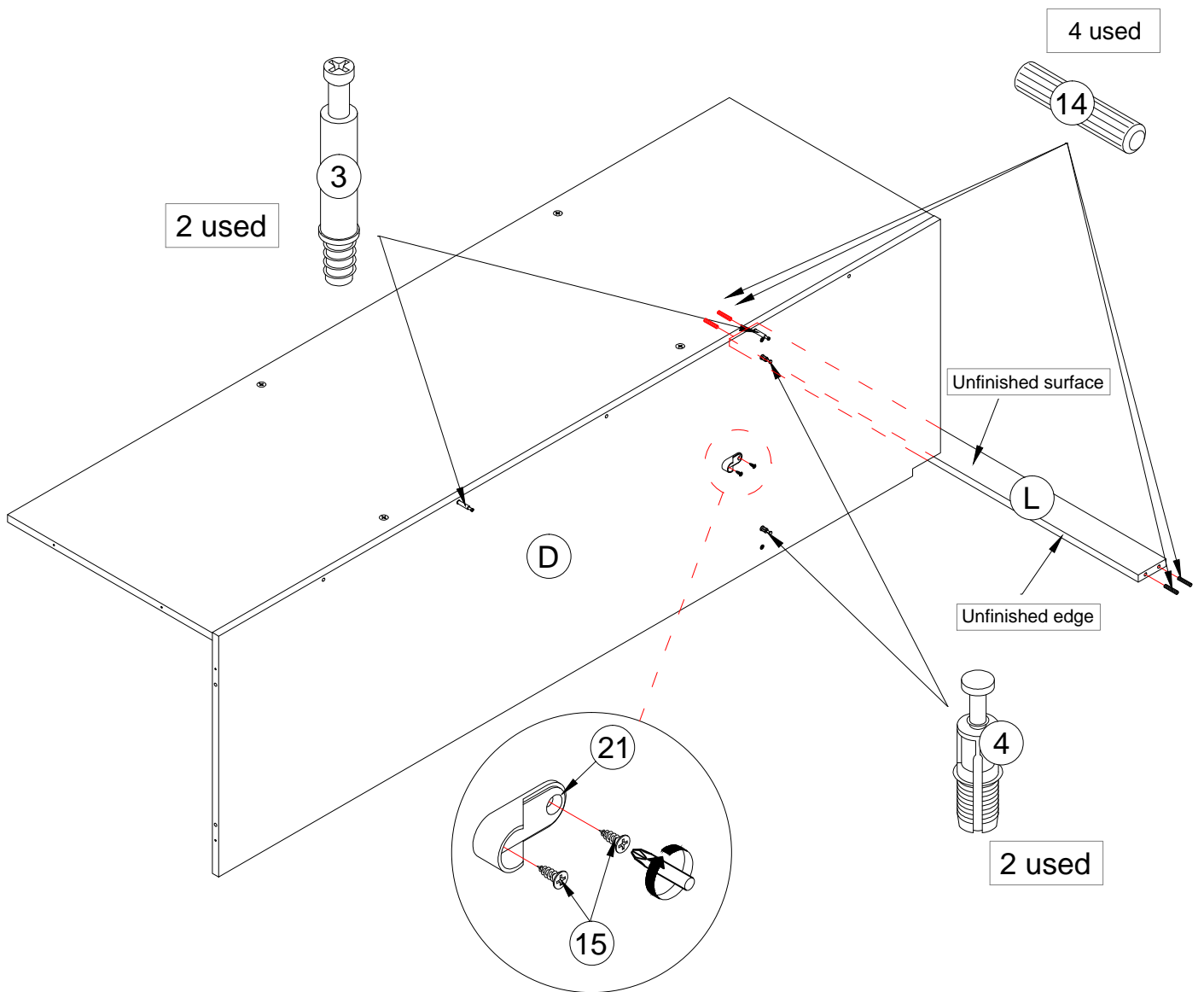
Step 2



Step 3

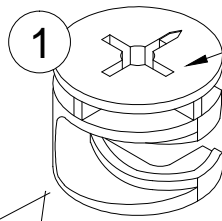


Step 4

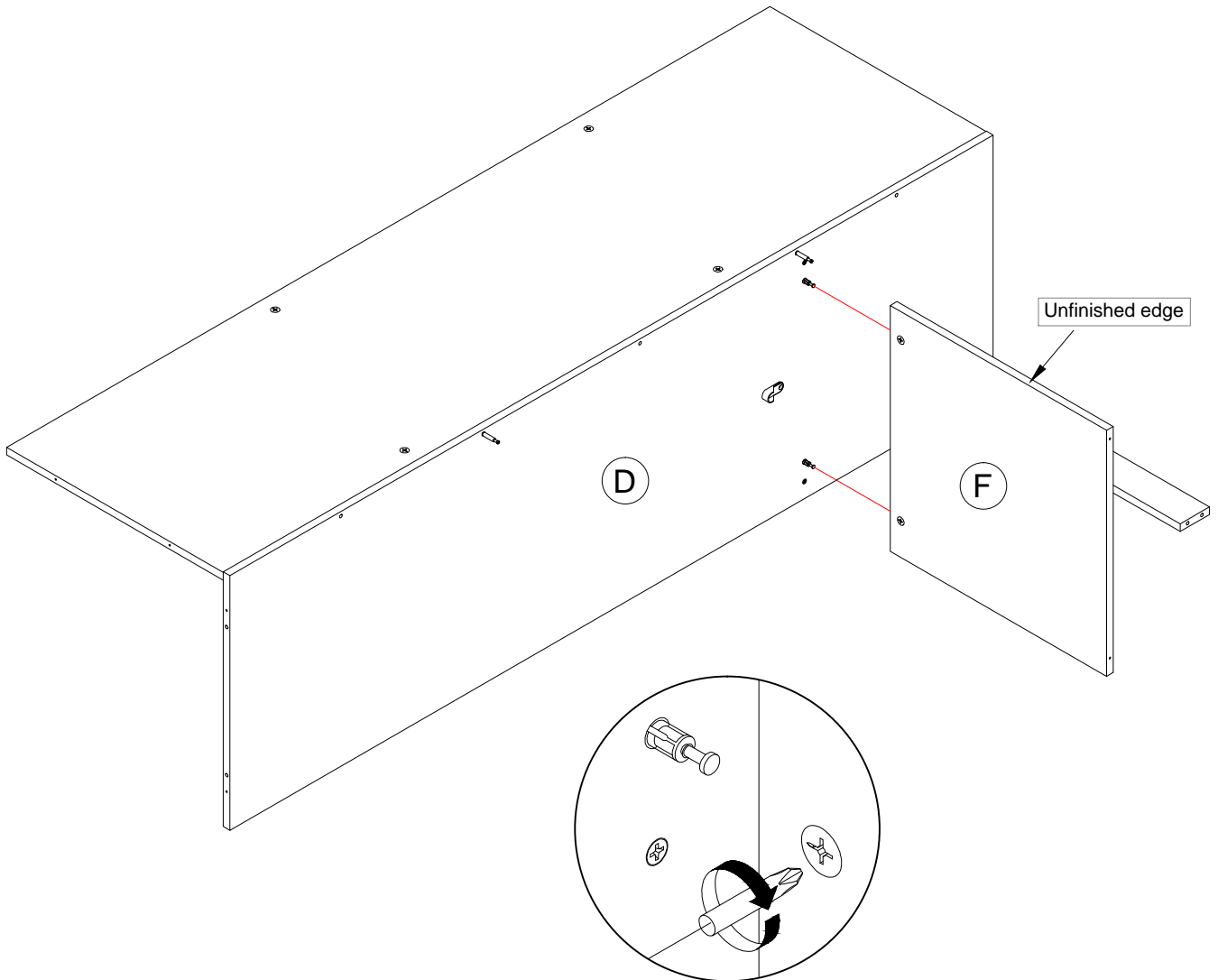
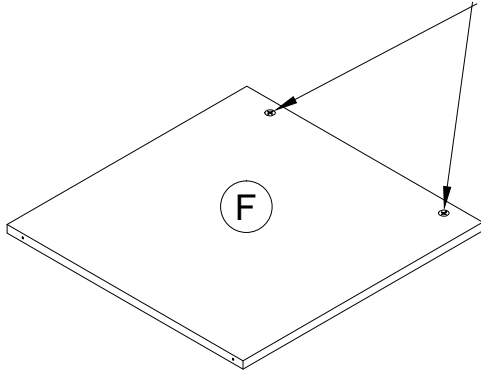


Step 5

The arrow in the HIDDEN CAM must point toward the hole in the edge of the board.

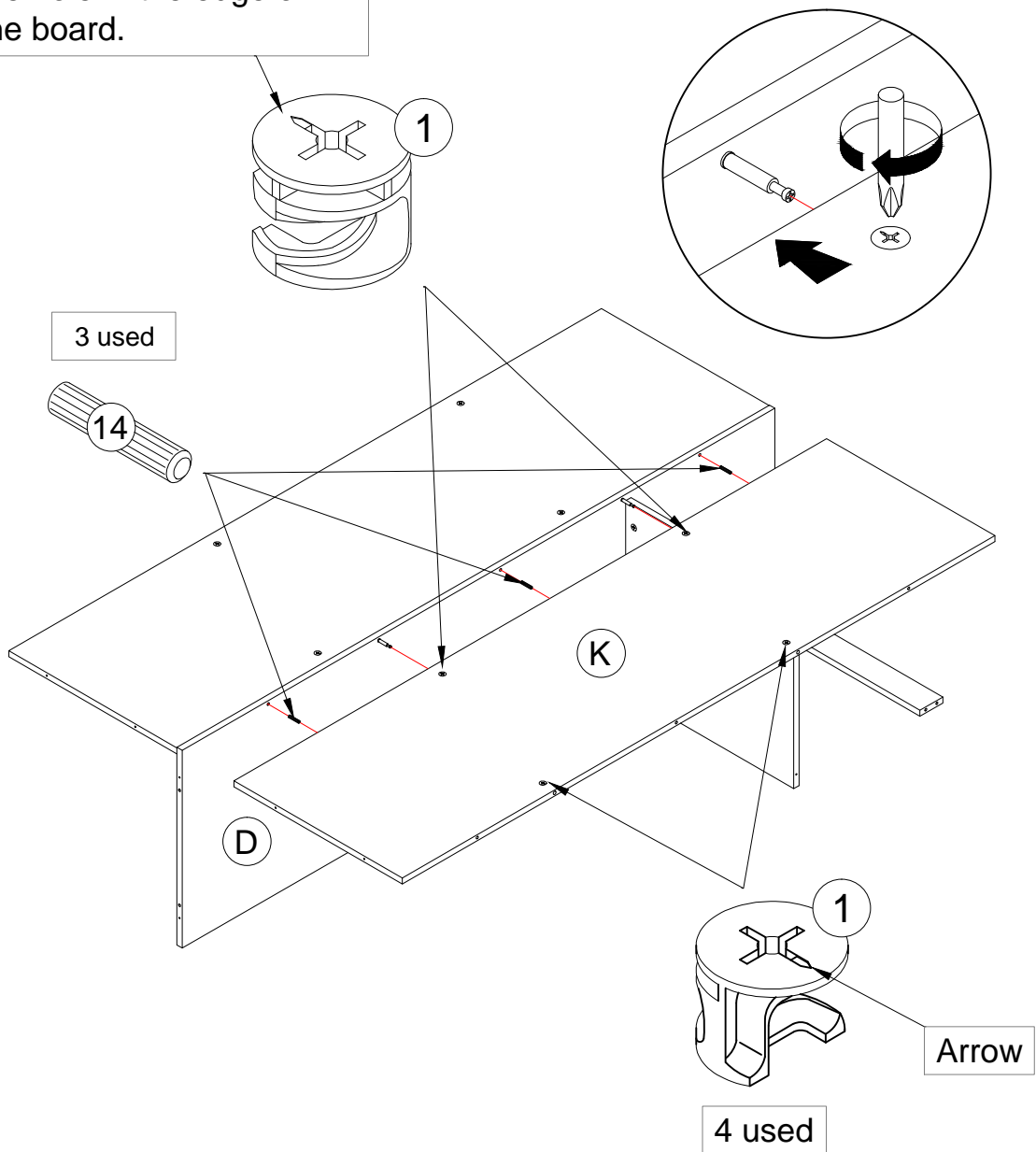


2 used

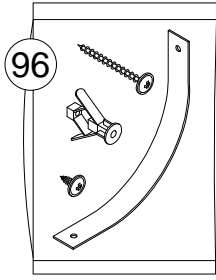


Step 6

The arrow in the HIDDEN CAM must point toward the hole in the edge of the board.

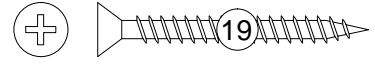
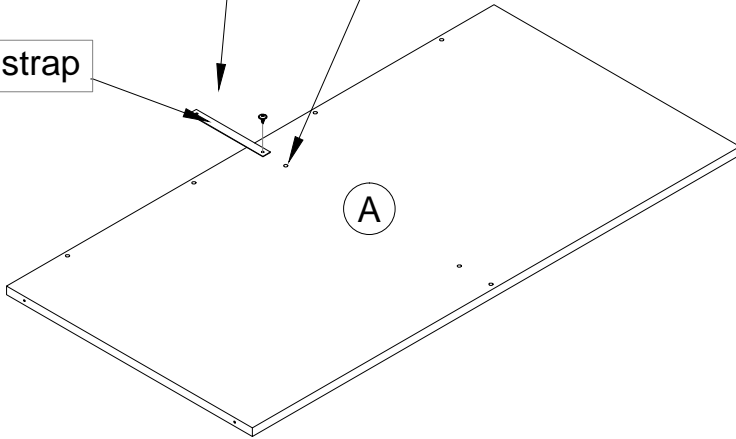


Step 7

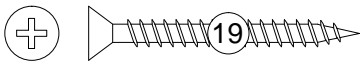
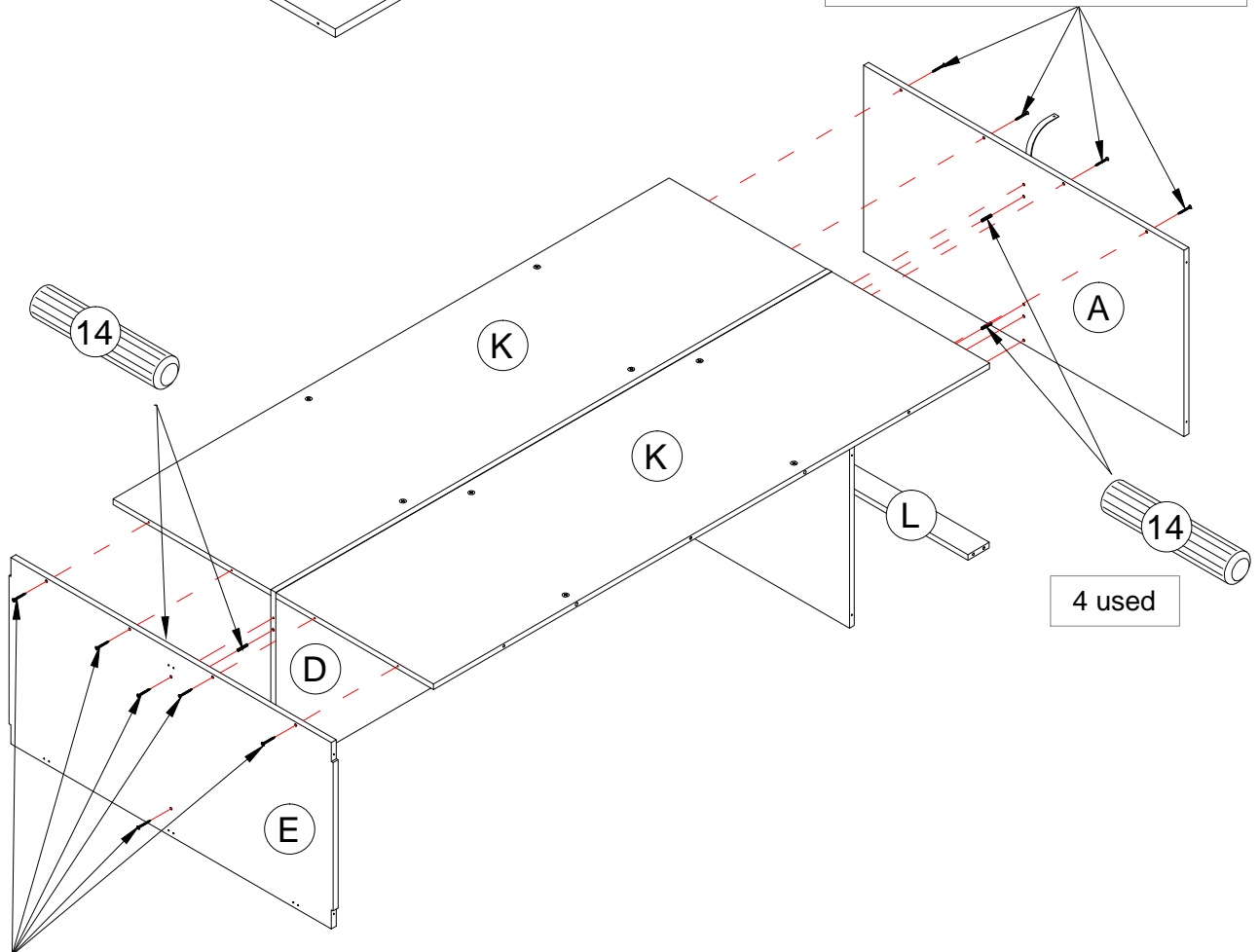


Use the short screw through the hole in the strap and into the TOP (A).

Safety strap

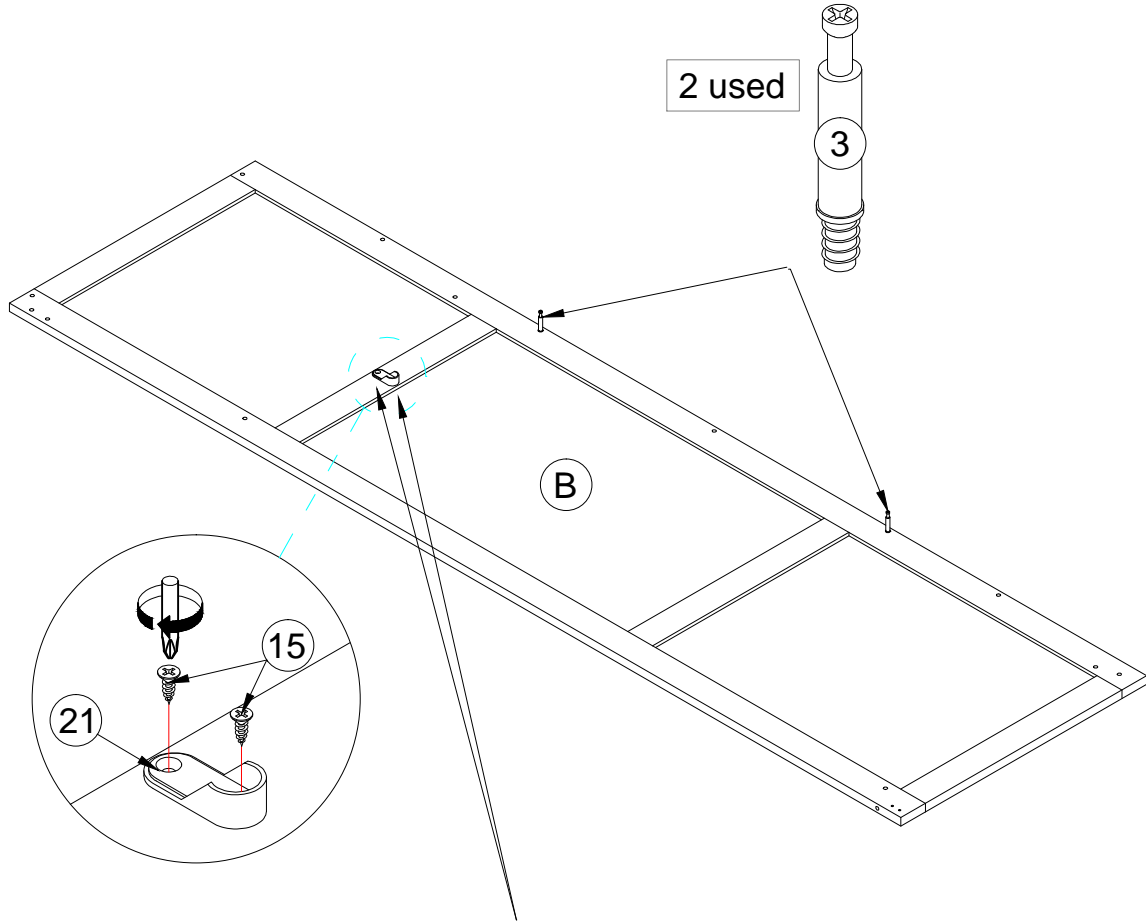



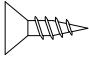
1-3/4" FLAT HEAD SCREW
(13 used in this step)



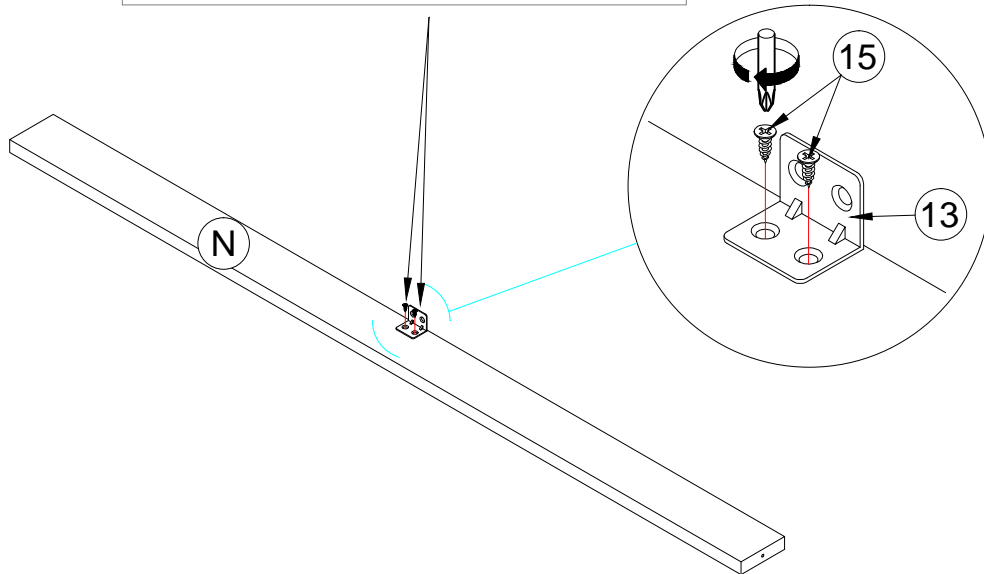
1-3/4" FLAT HEAD SCREW

Step 8

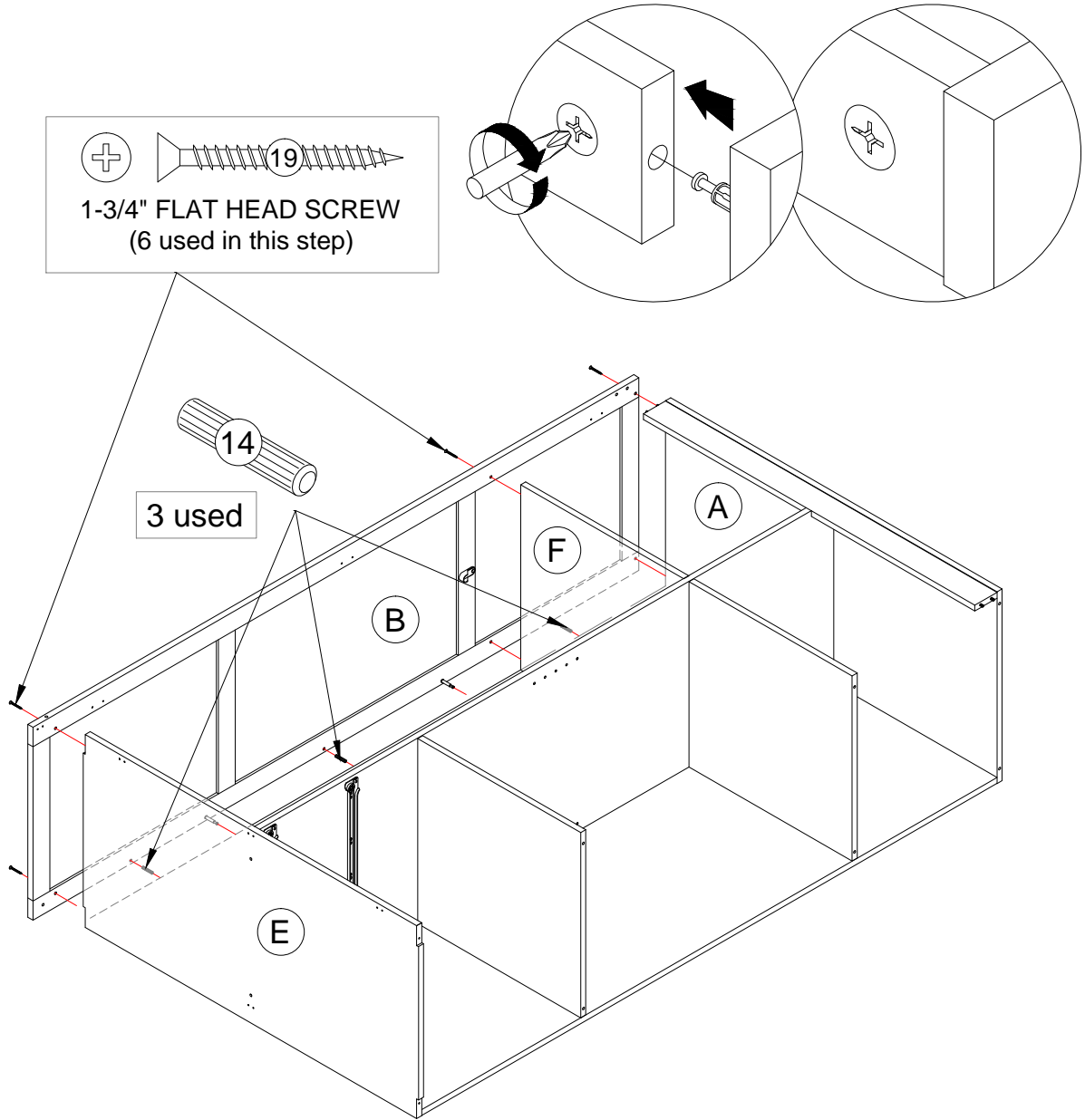


  15



1/2" FLAT HEAD SCREW
(4 used in this step)

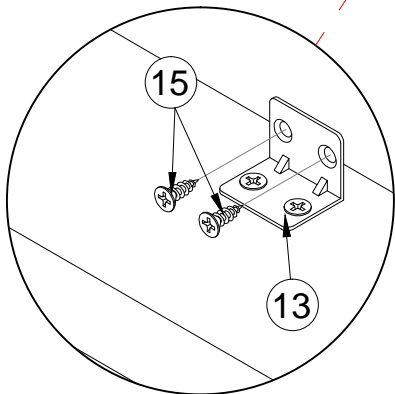
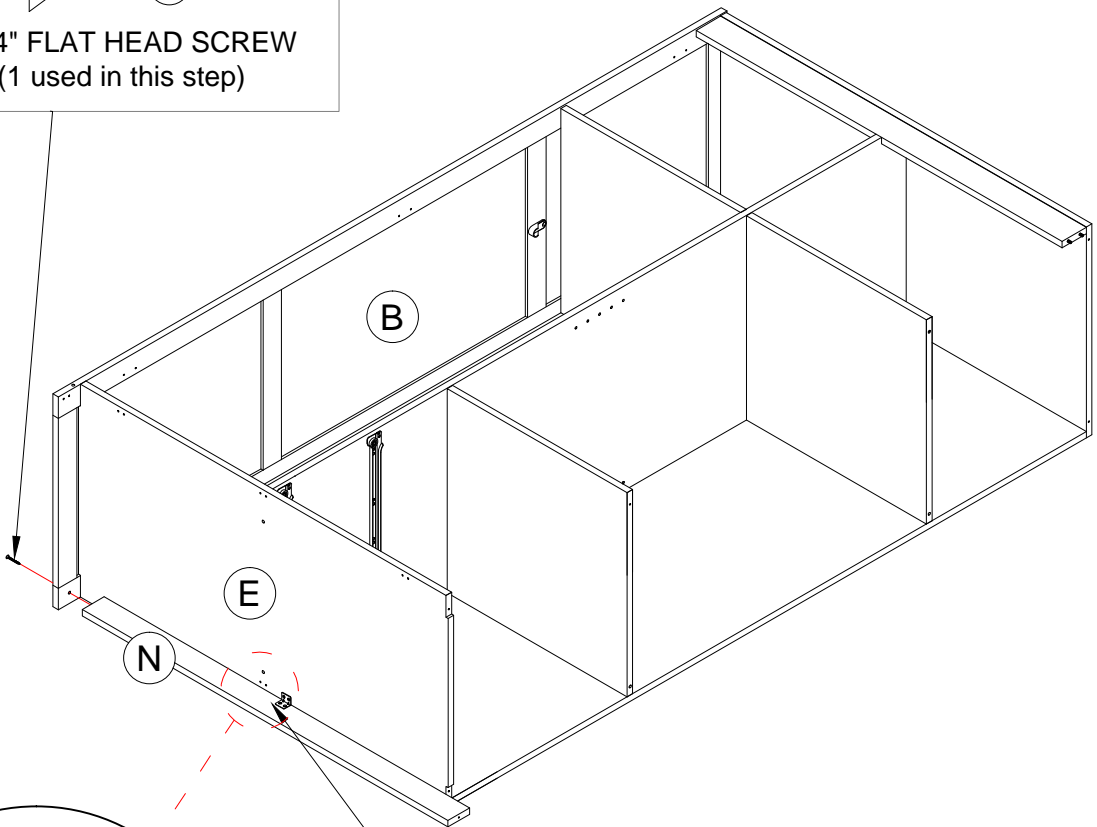



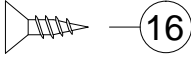
Step 9



Step 10

  19
1-3/4" FLAT HEAD SCREW
(1 used in this step)



  16
1/2" FLAT HEAD SCREW
(2 used in this step)

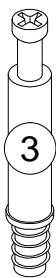
Step 11



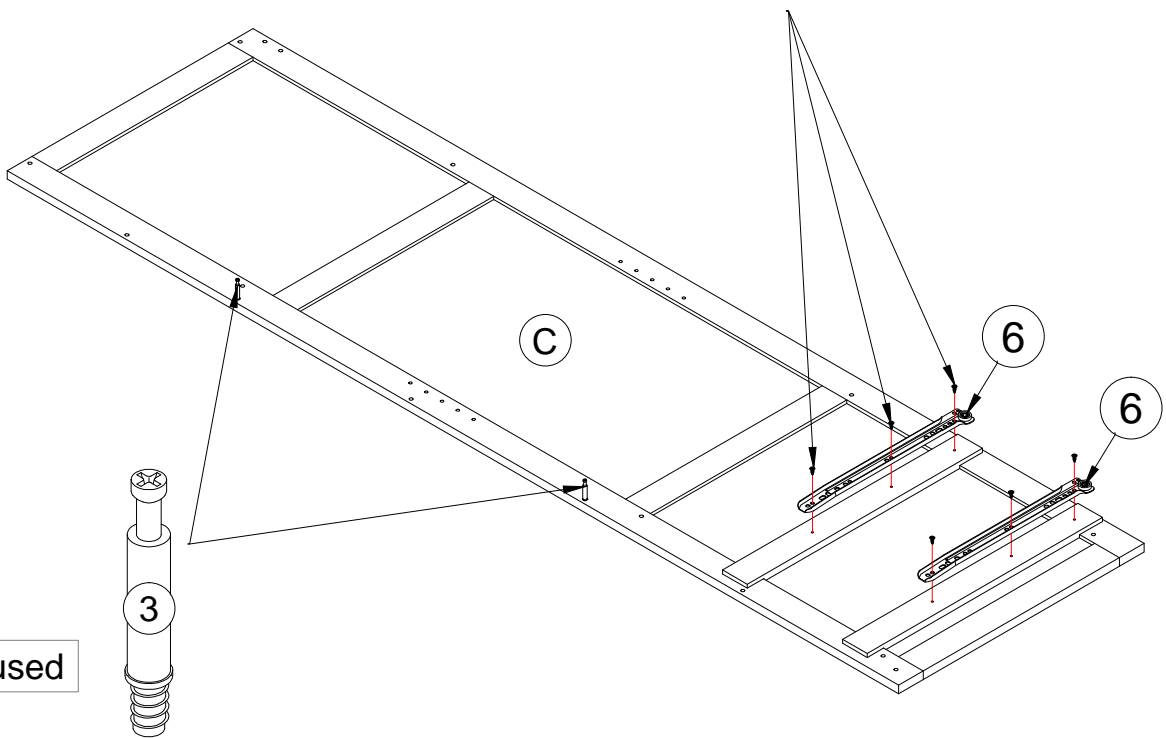
15

1/2" FLAT HEAD SCREW
(6 used for the CABINET RIGHT)

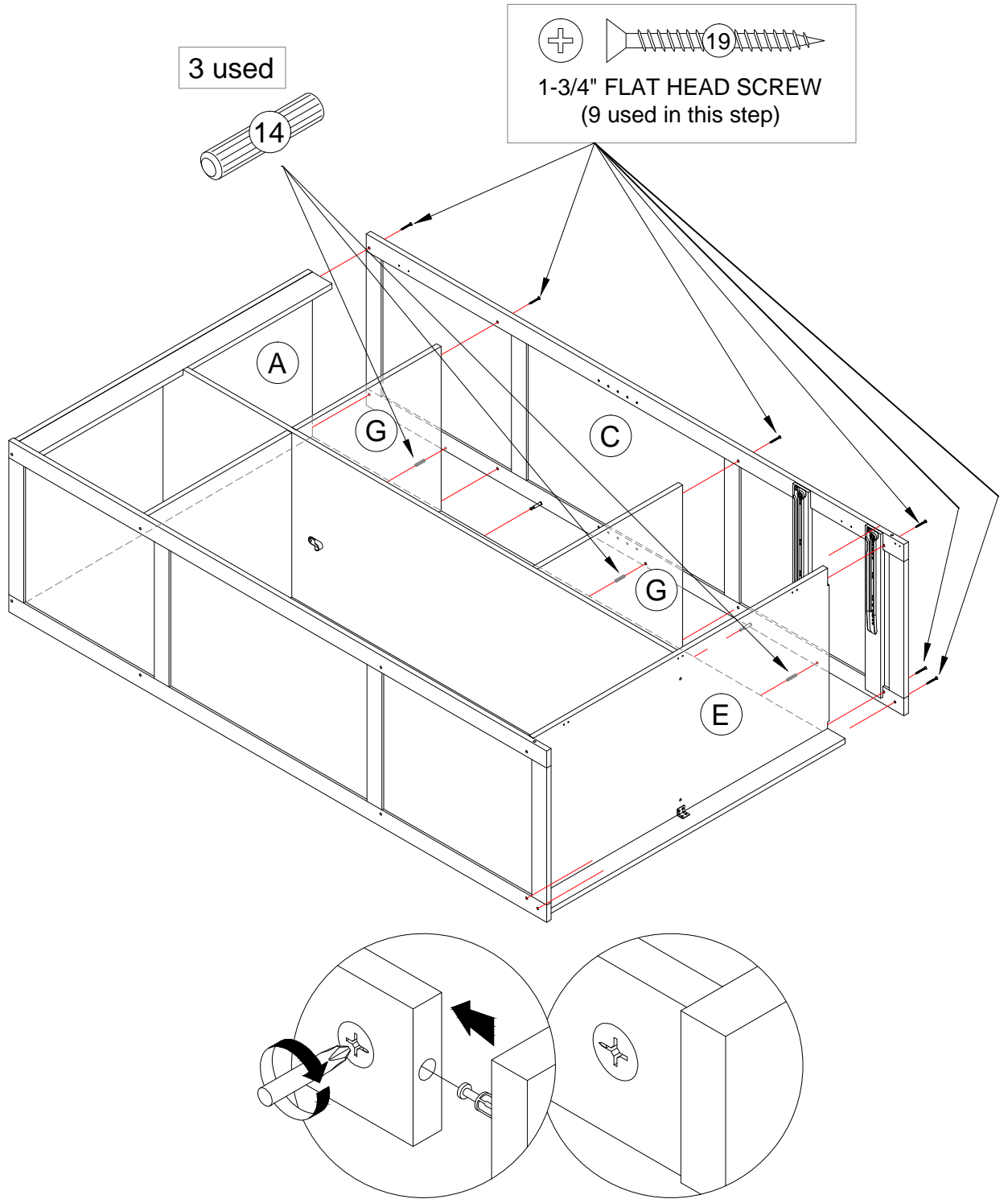
2 used



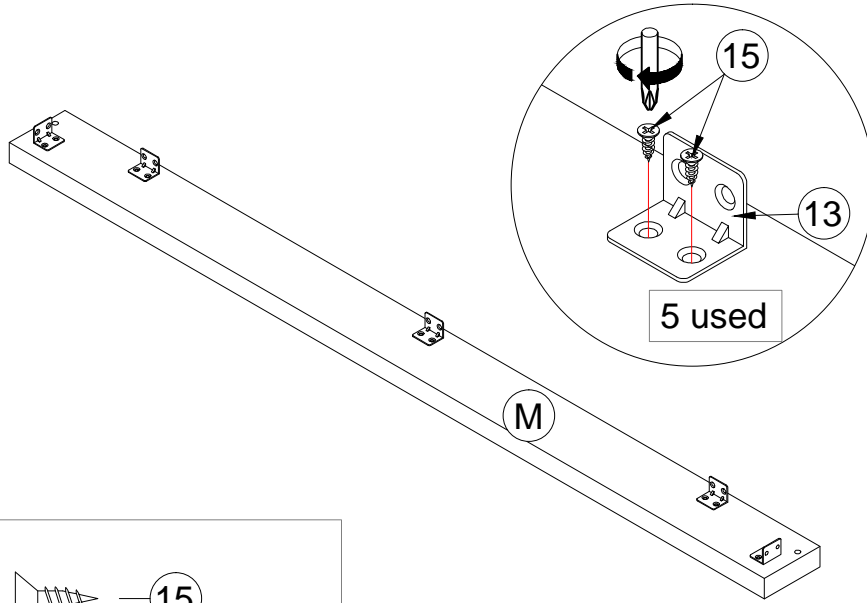
3


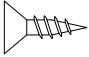


Step 12

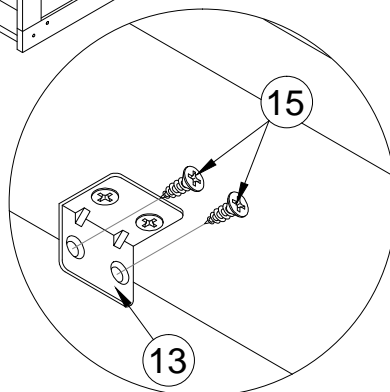
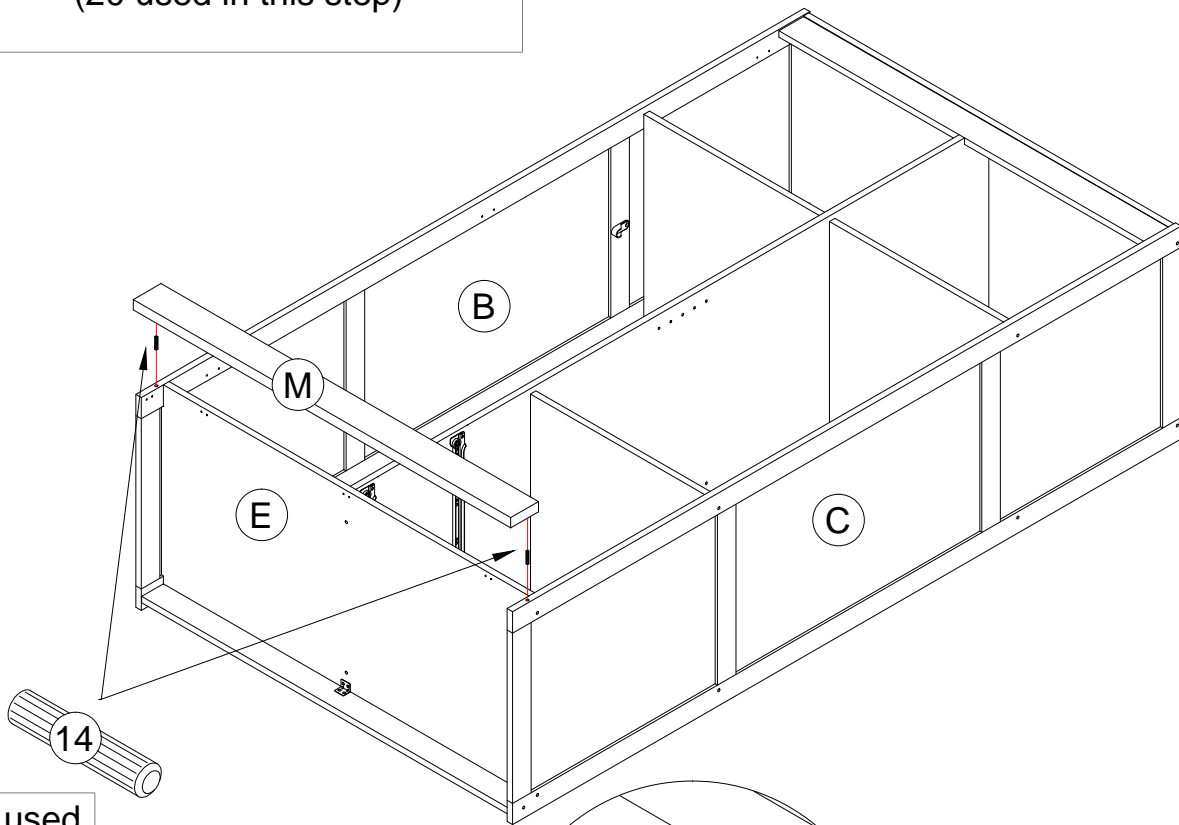


Step 13

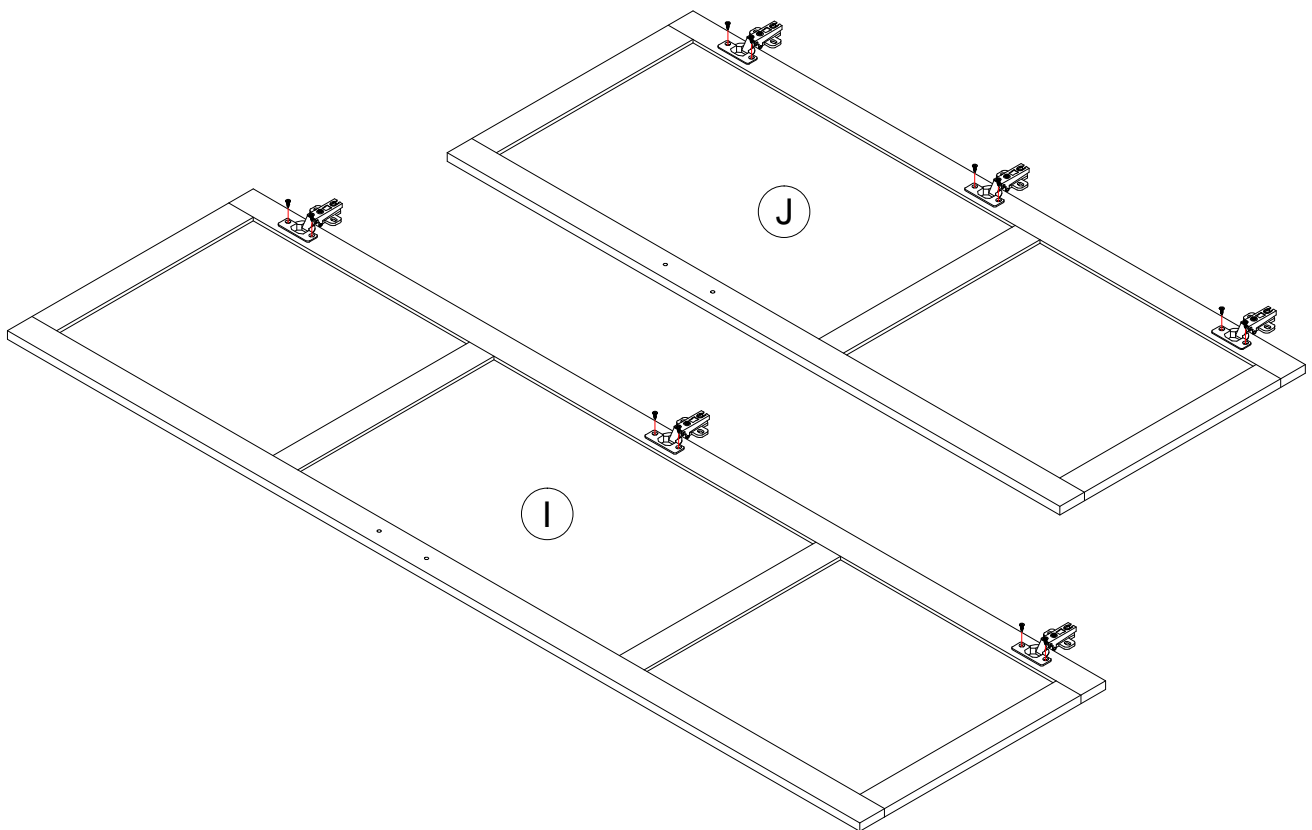
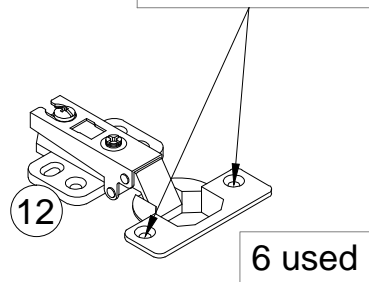
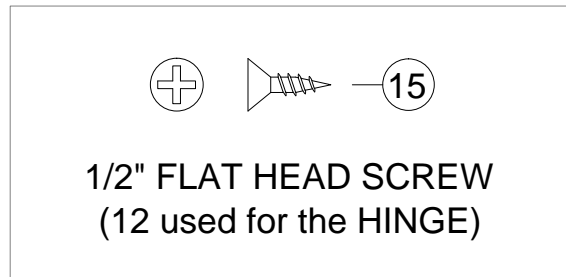


  — 15

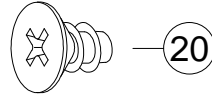
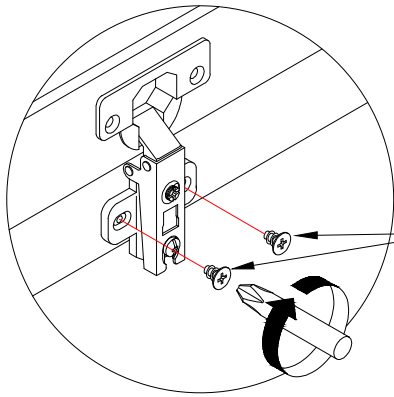
1/2" FLAT HEAD SCREW
(20 used in this step)



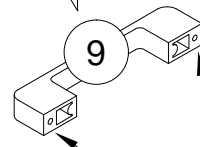
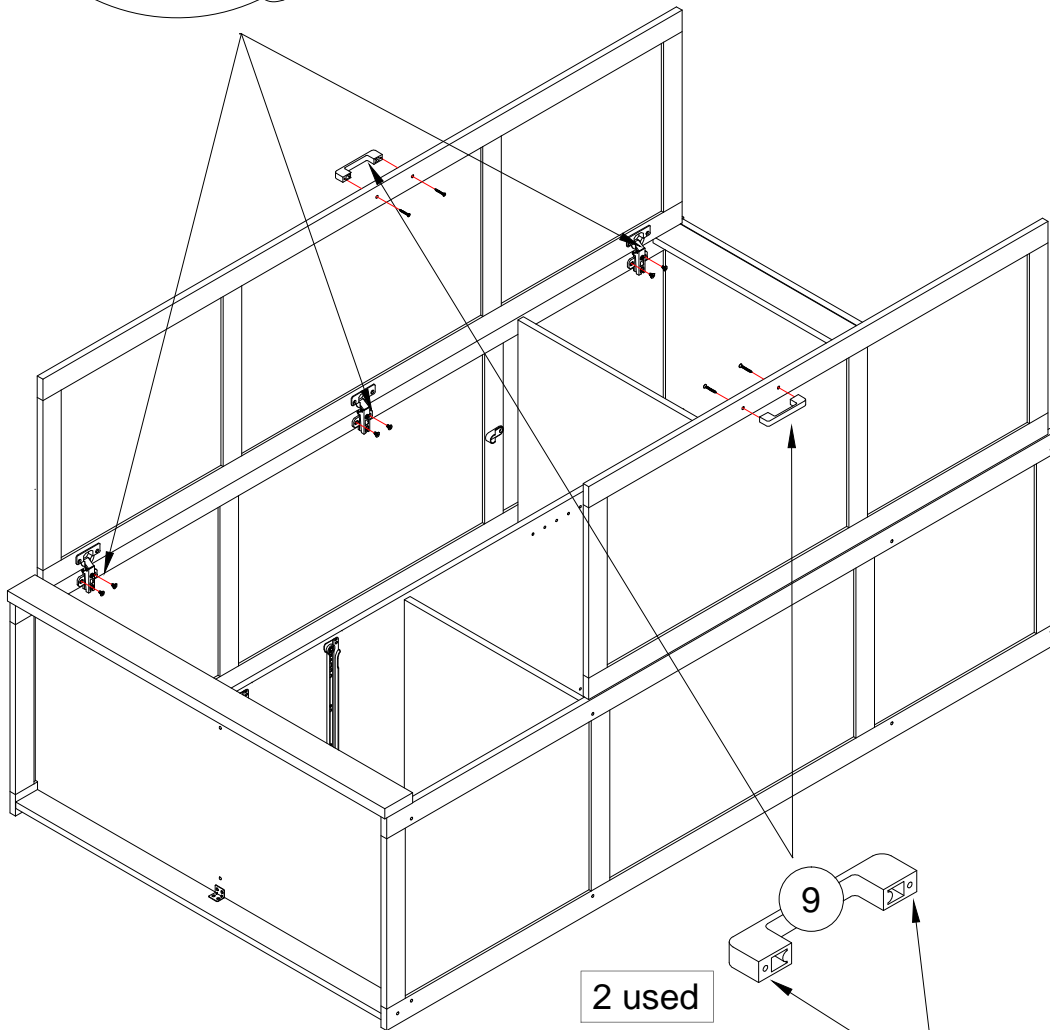
Step 14



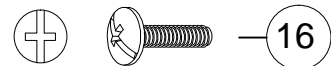
Step 15



M6.3 x 10MM ZB EURO SCREW
(12 used in this step)

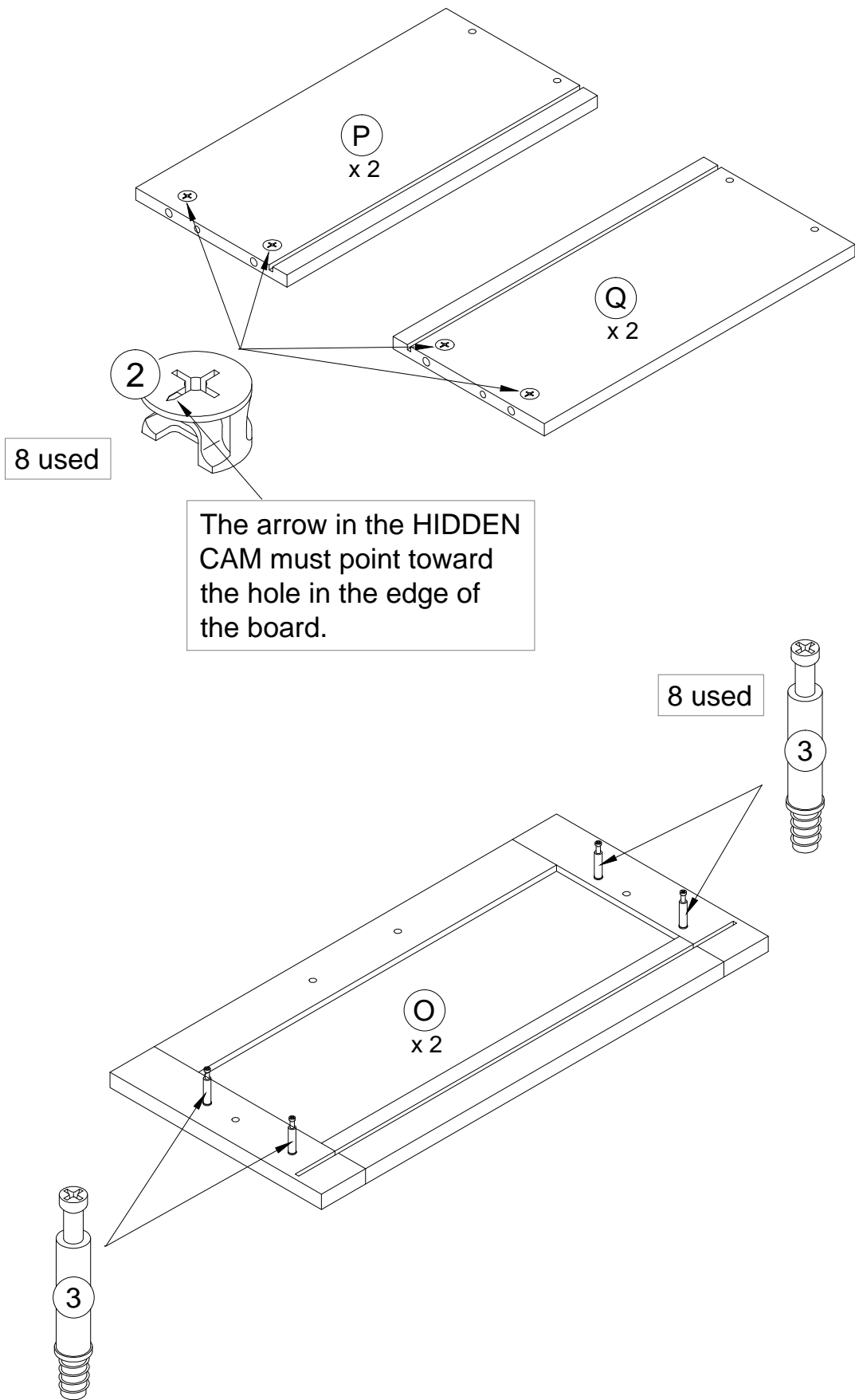


2 used

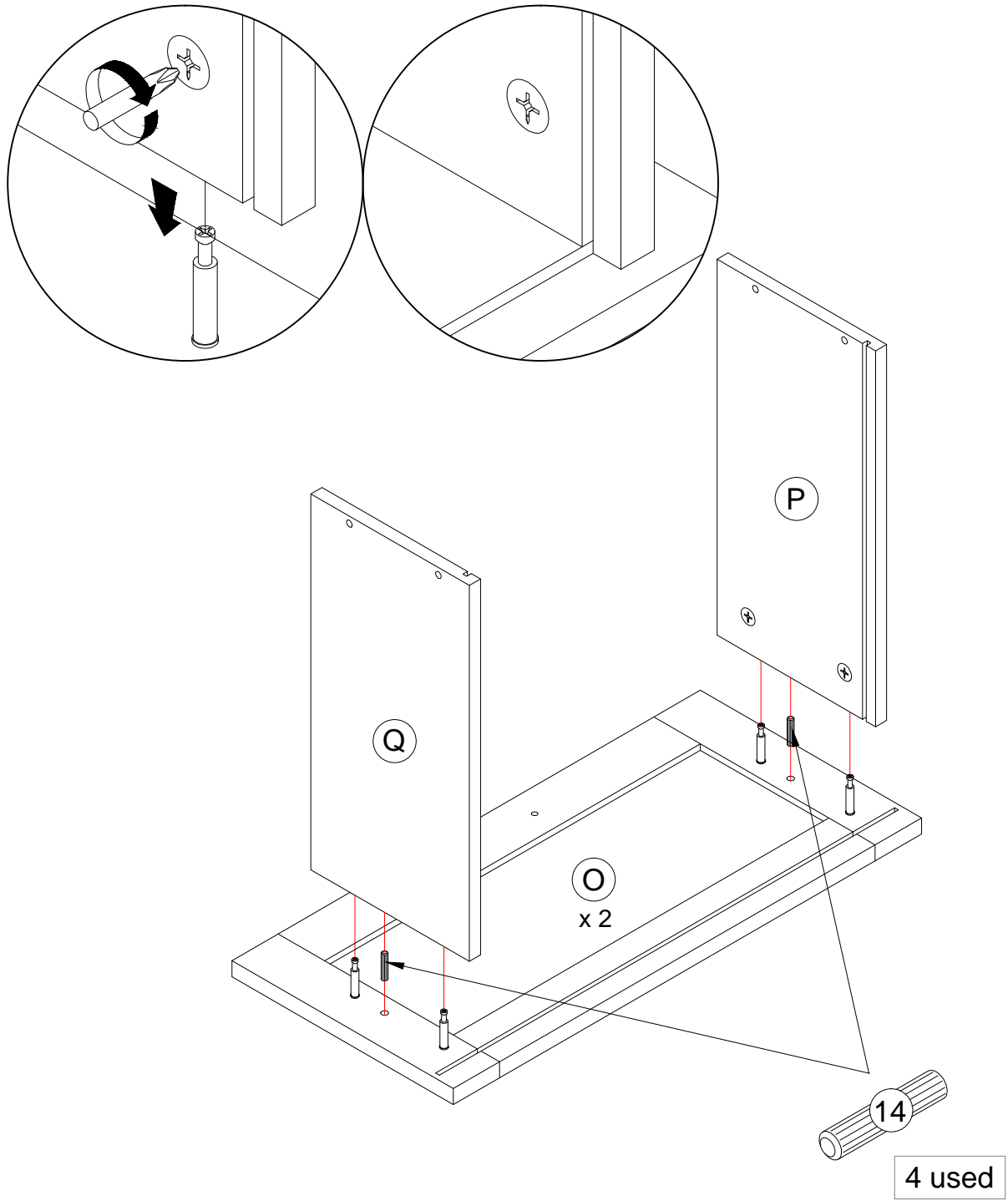


3/4" MACHINE SCREW
(4 used for HANDLE)

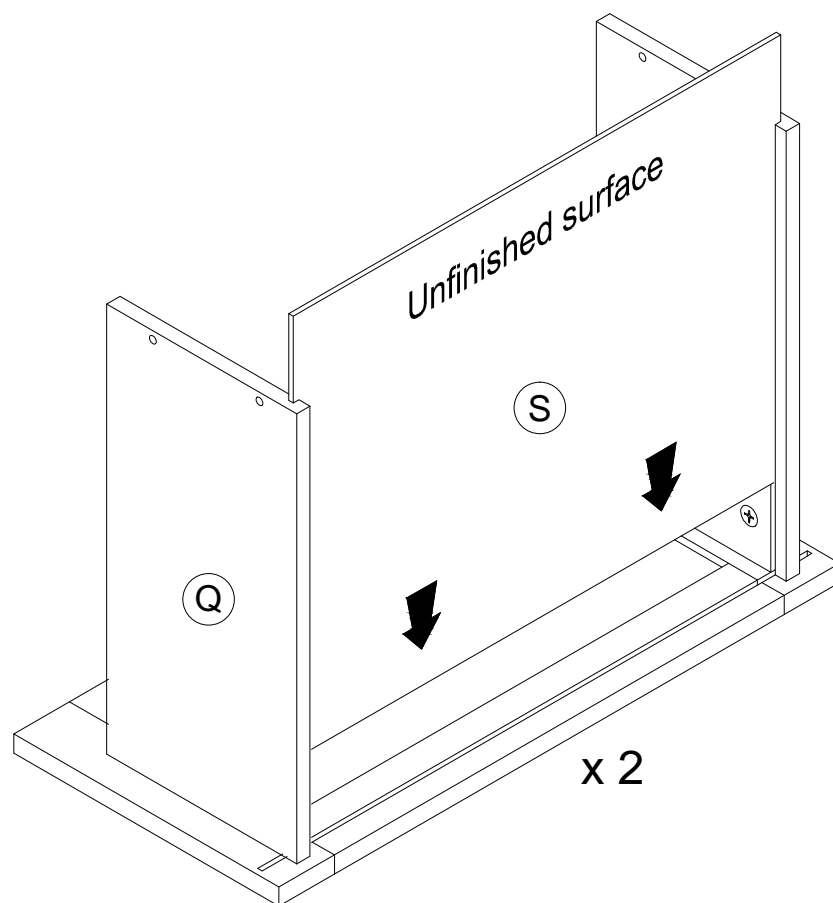
Step 16



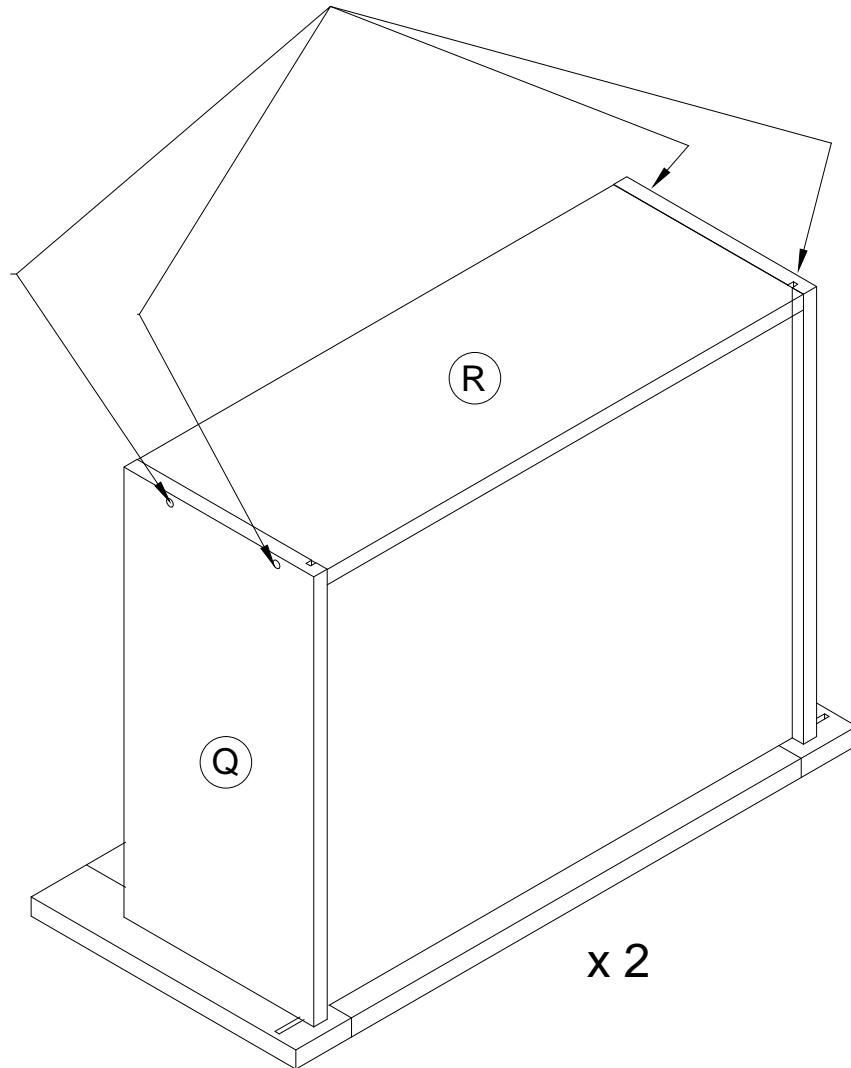
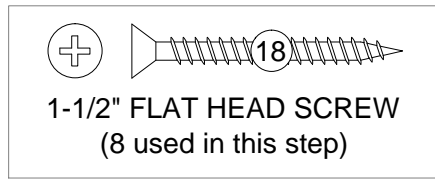
Step 17



Step 18



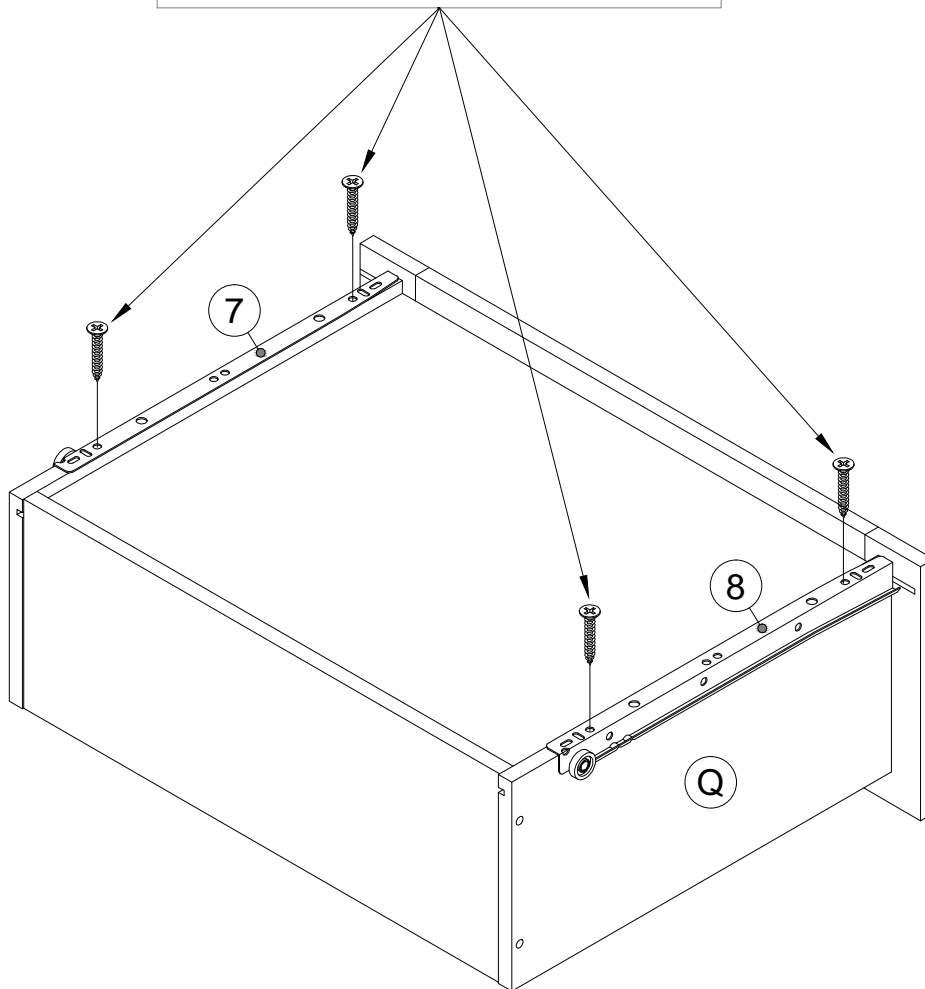
Step 19



Step 20

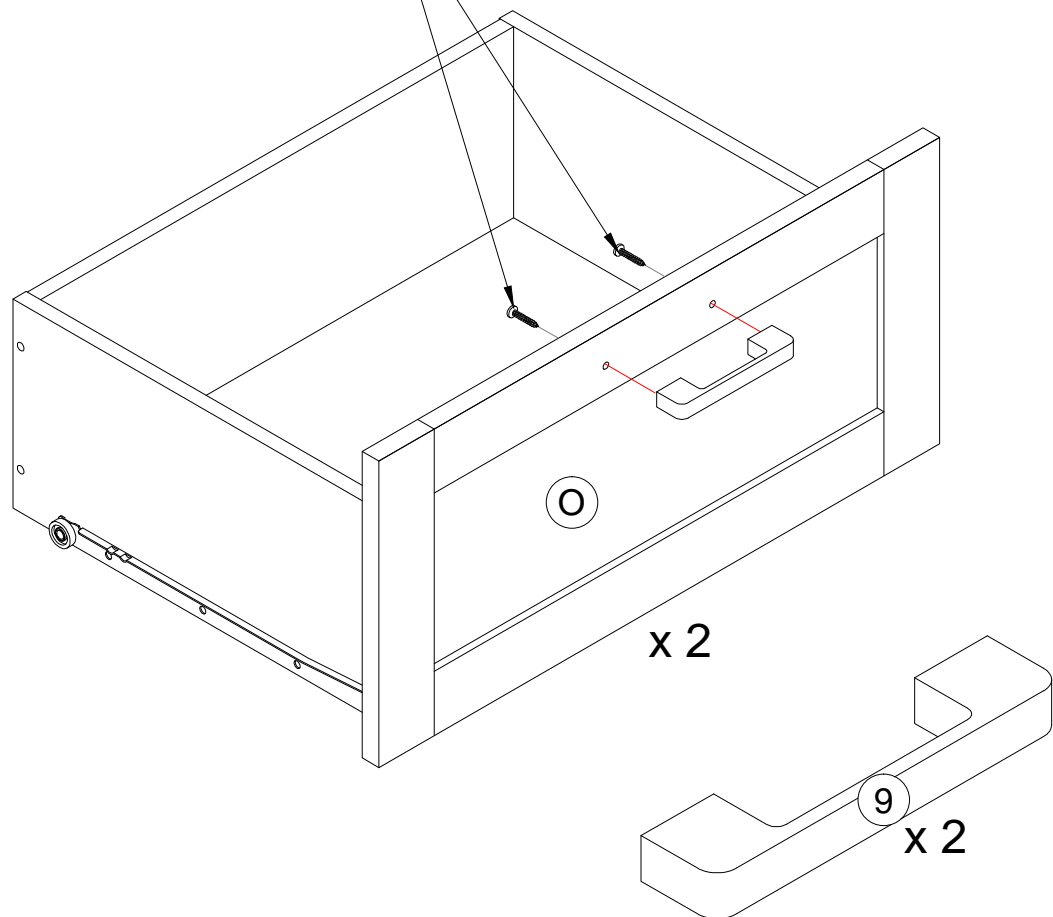
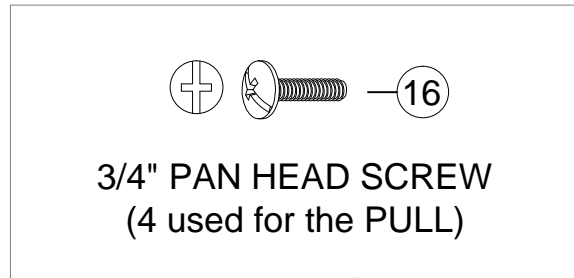


1" FLAT HEAD SCREW
(8 used in this step)

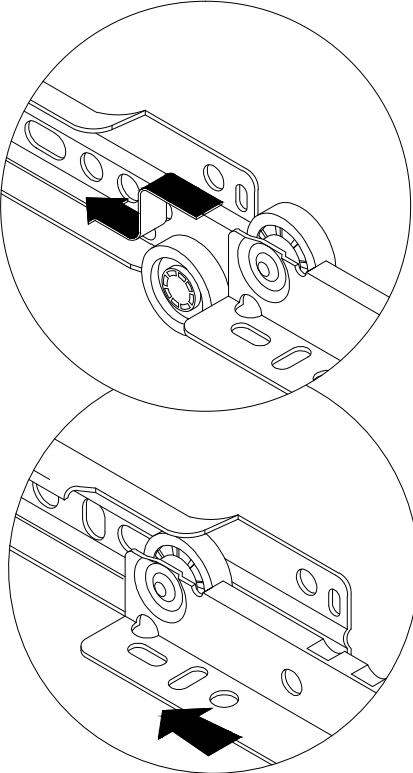
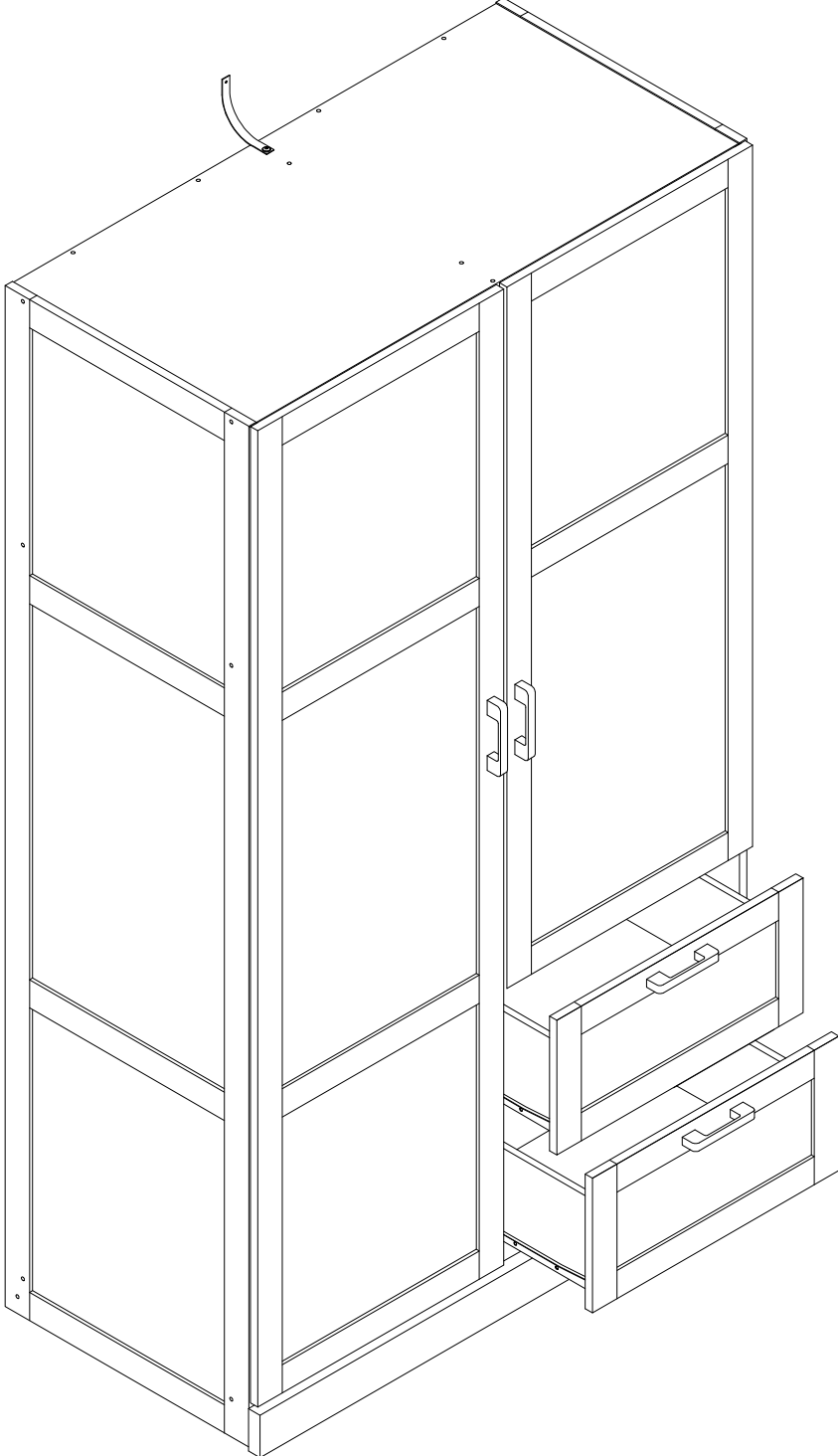


x 2

Step 21



Step 22

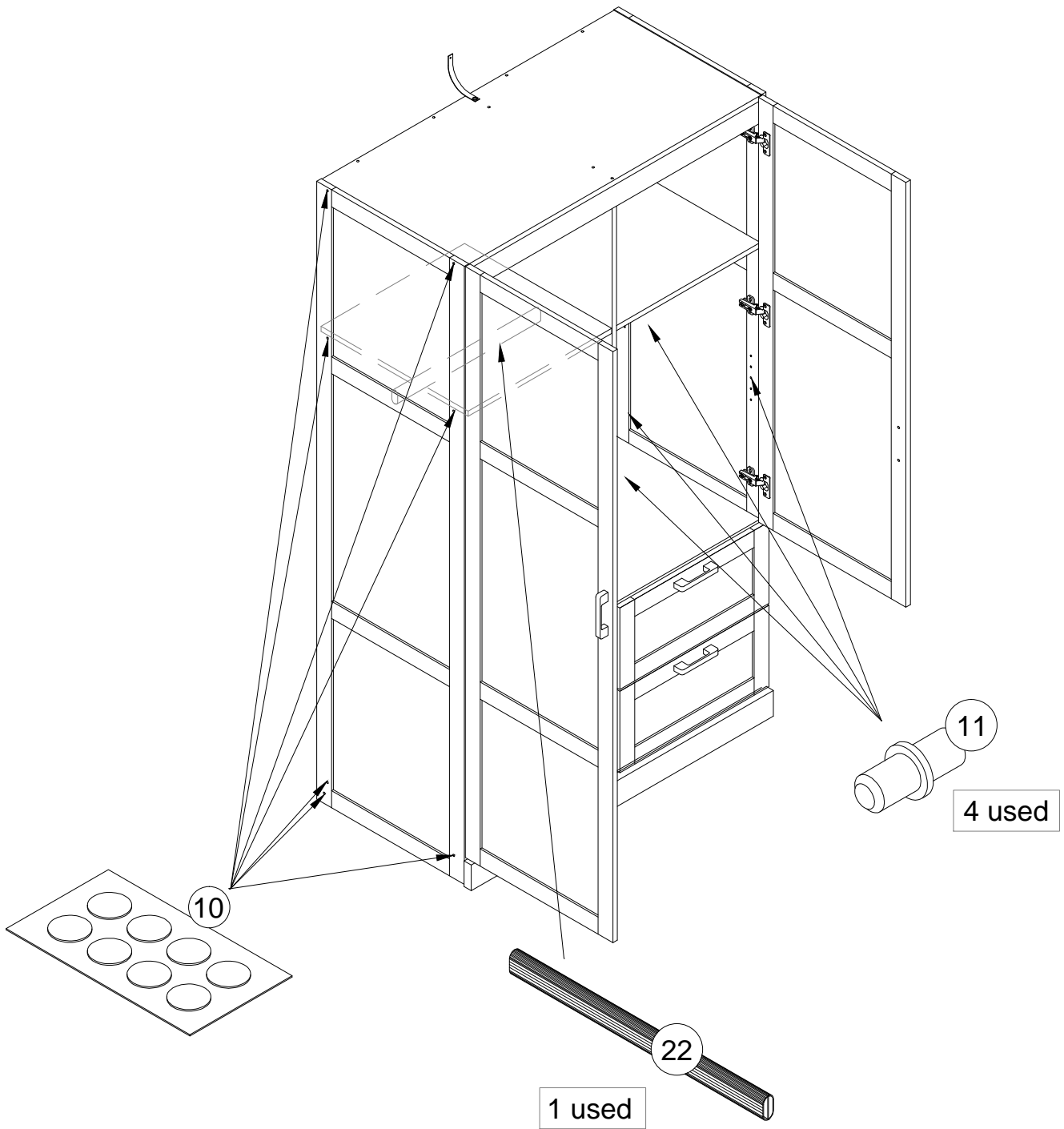
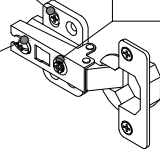


Step 23

(vertical adjustment)

Adjusting Screw
(Horizontal)

Mounting Screw
(Depth)



10

11

4 used

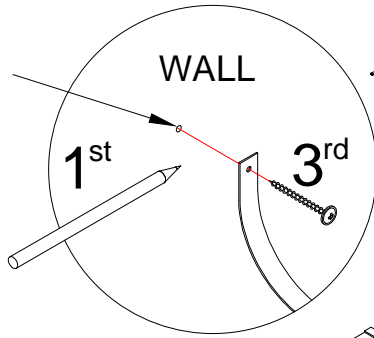
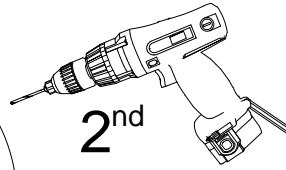
22

1 used

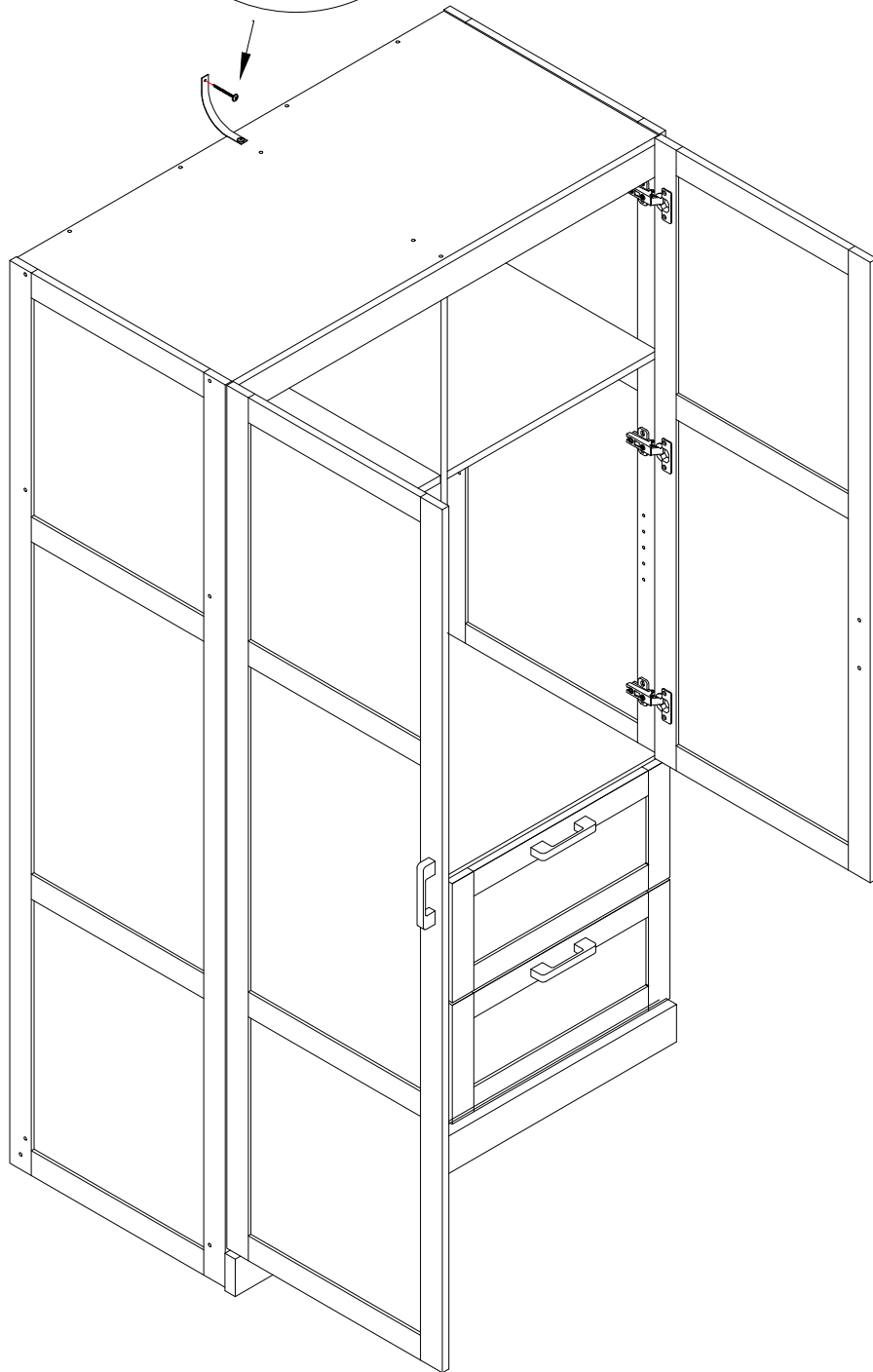
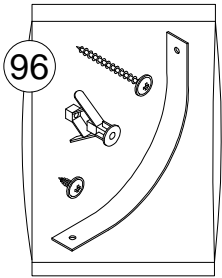
Step 24

Mark and drill
a 1/8" hole
into the wall.

Electric drill with 1/8" bit



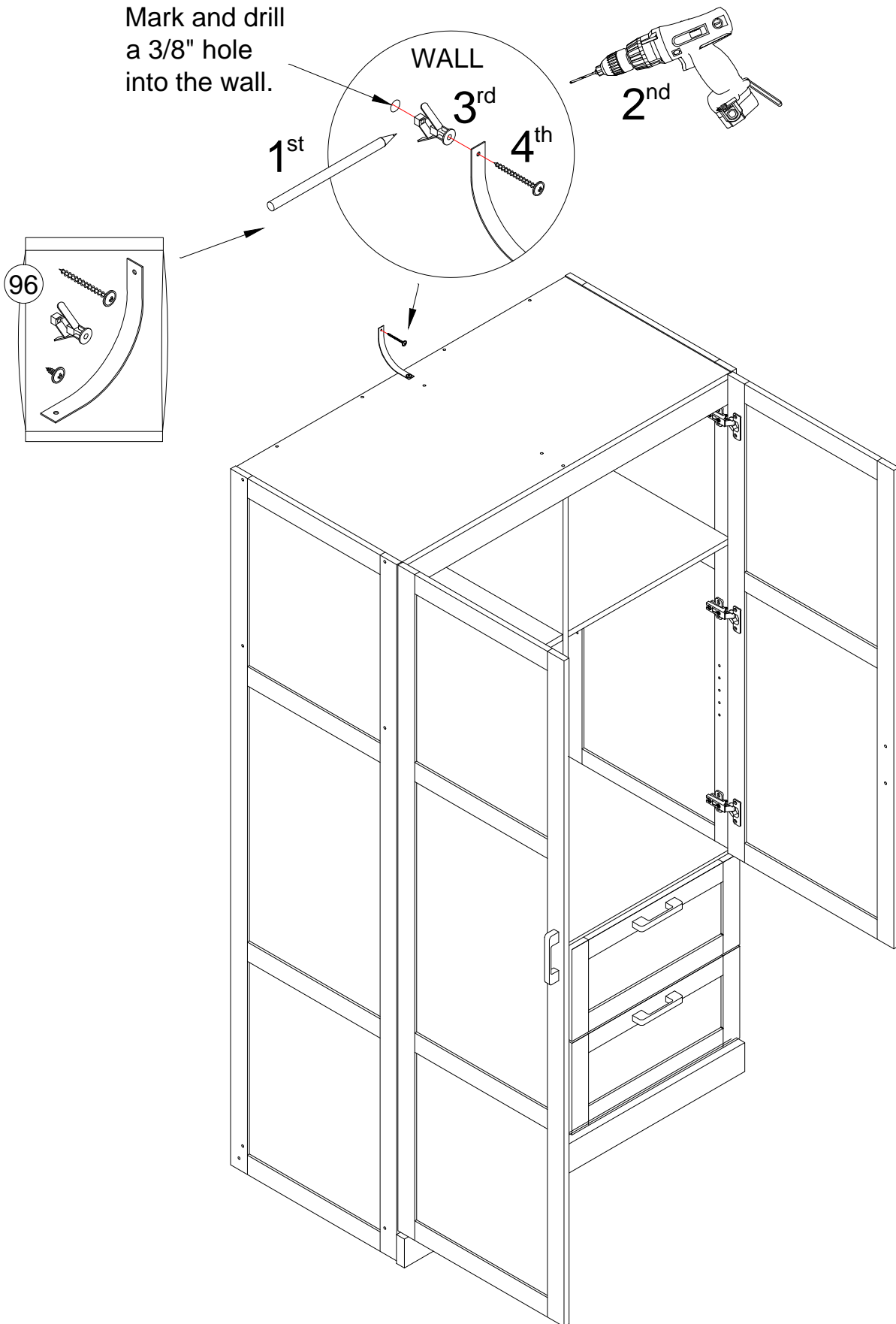
2nd



Step 25

Mark and drill a 3/8" hole into the wall.

Electric drill with 1/8" bit



Step 26

