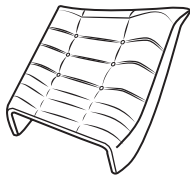
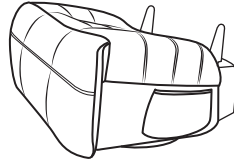


ASSEMBLY INSTRUCTION

CD-9001



Ax1



Bx1

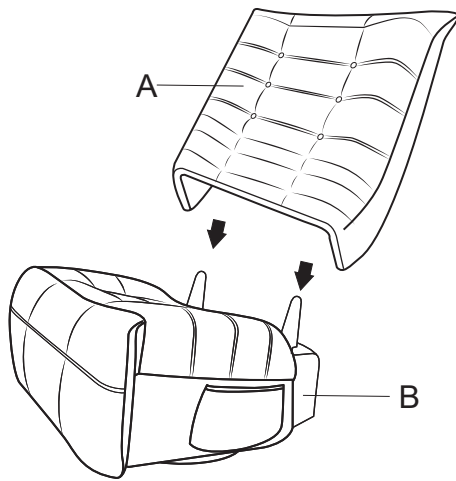


Cx1

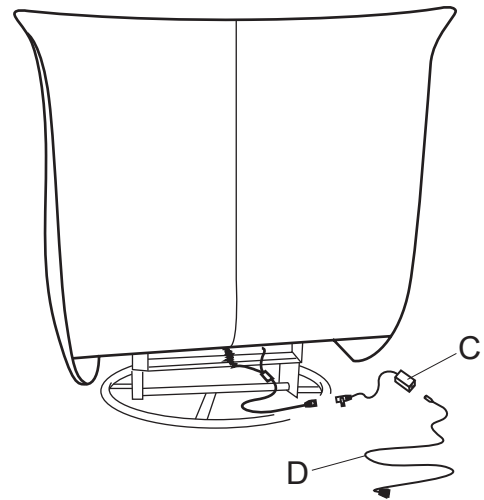


Dx1

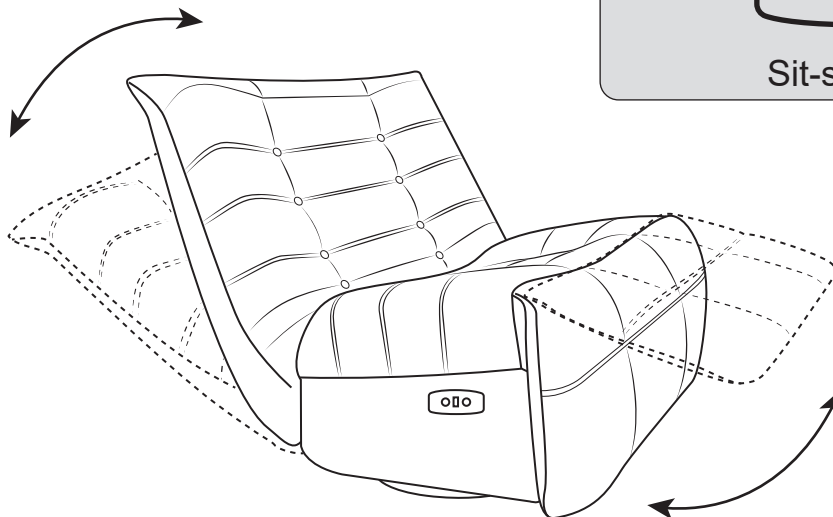
STEP 1



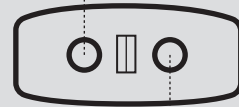
STEP 2



Connect the power cable.



Lying down mode



Sit-stand pattern