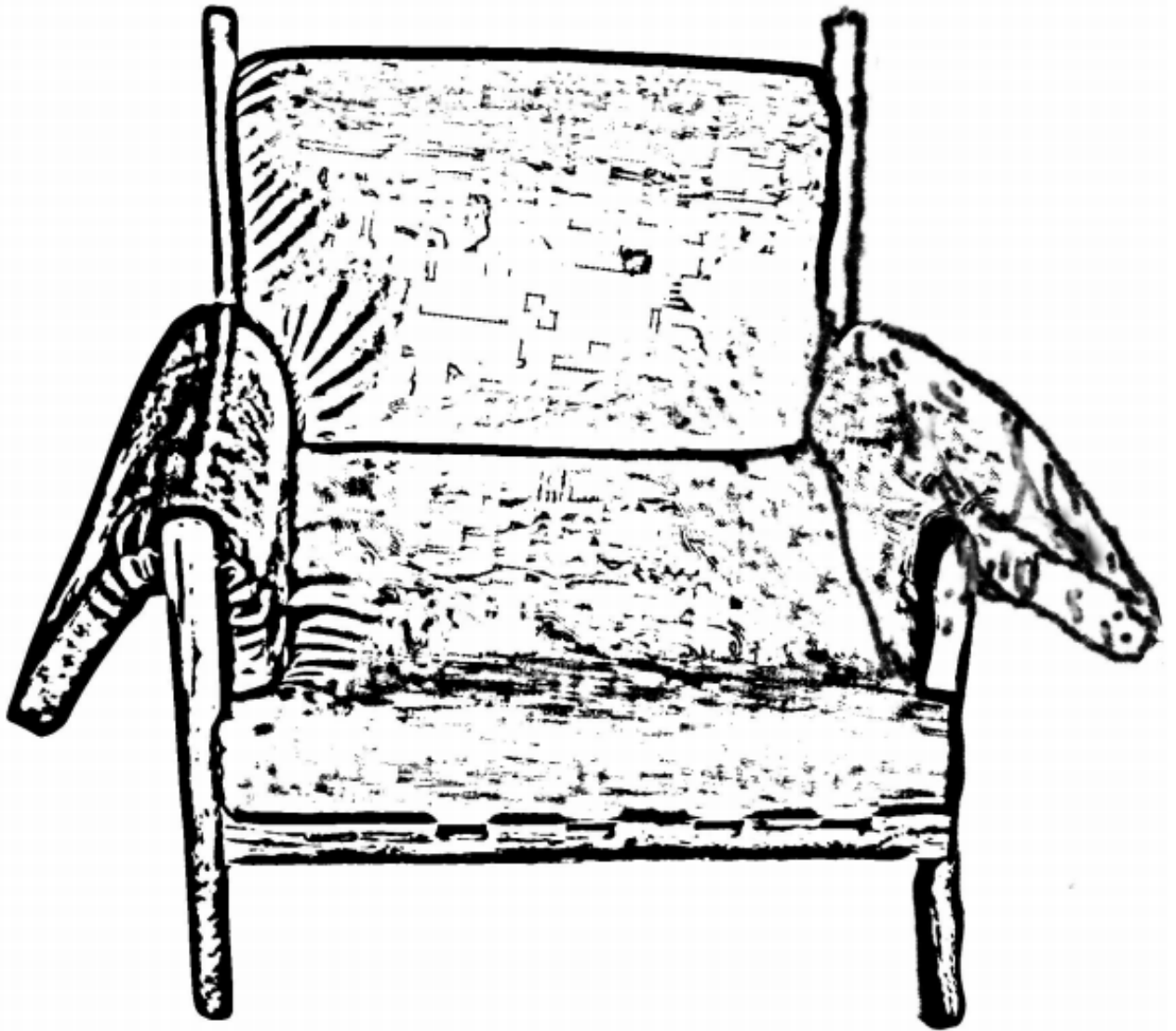


ASSEMBLY INSTRUCTIONS

Comfy Accent Armchair



ITEM: W1885125554

ASSEMBLY INSTRUCTIONS

ITEM: W1885125554

Description: Comfy Accent Armchair

Thank you for purchasing this quality product, be sure to check all packing material carefully for small part that may have come loose inside the carton during shipment.



DO NOT RETURN TO THE STORE!

If parts are missing or damaged, we will gladly ship your replacements parts free of charge.

CAUTION:

Do not fully tighten bolts/nuts until product fully assembled. Keep all hardware out of reach of children.

NOTICE

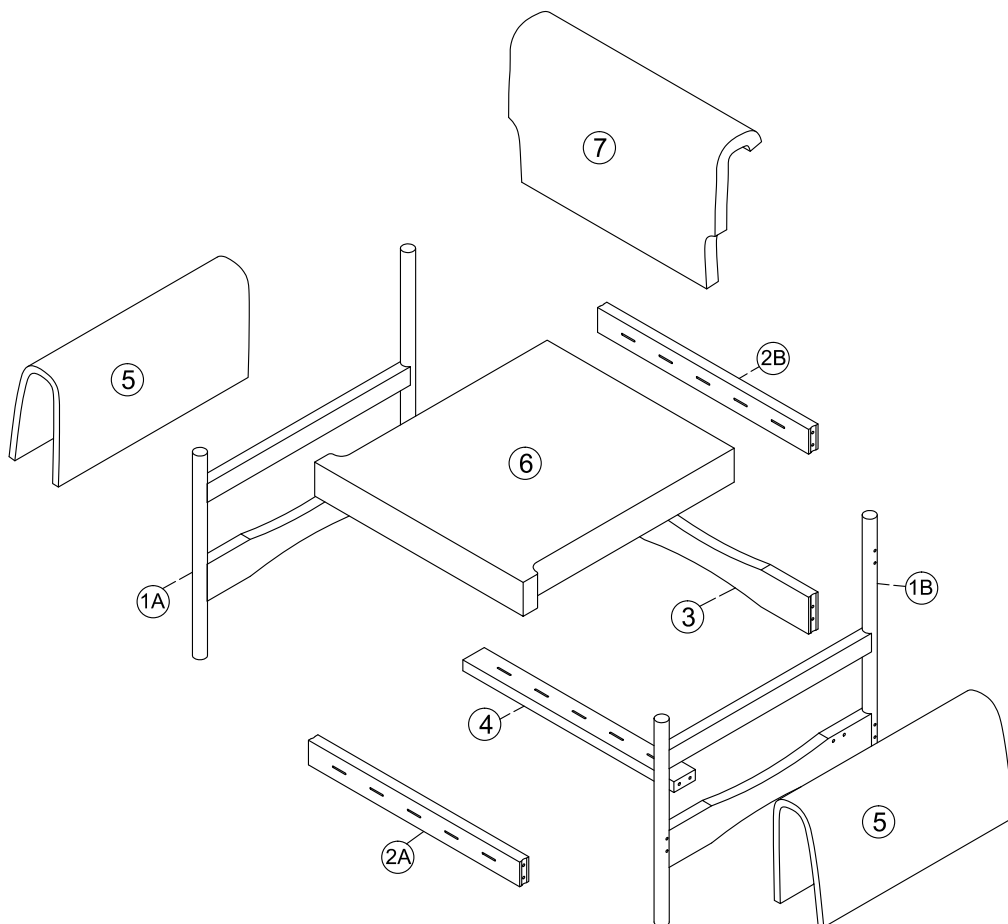
1. Always use proper tools.
2. Follow the assembly steps in order. Do not skip any steps.
3. Periodically check to ensure that all connectors (bolts, screws, etc.) are tight.
4. Keep the instructions for future reference.
5. Check to ensure all "PARTS" and "HARDWARE" quantities, as noted as enclosed prior to commencement of assembly.
6. Place all furniture parts on a clean and flat soft surface to prevent any scratches possible.
7. If you need any assistance with your new item or if you are missing any parts. Please email us your inquiries at: davrwc325@gmail.com. We will be happy to assist and walk you through your assembly process.
8. Since the dimensions of our products are manually measured, there may be an error of ± 0.79 inch between the real product and the measurement data. The measurement data is for reference only.

ASSEMBLY INSTRUCTIONS


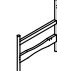





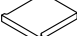
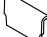
ITEM: W1885125554

Description: Comfy Accent Armchair

Thank you for purchasing this quality product, be sure to check all packing material carefully for small part that may have come loose inside the carton during shipment.



PART LIST:




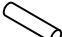

NO.	Description	Sketch	Quantity
1A	Left Frame		1PCS
1B	Right Frame		1PCS
2A	Side Rail		1PCS
2B	Side Rail		1PCS
3	Side Rail		1PCS
4	Side Rail		1PCS
5	Armrest		2PCS
6	Seat Cushion		1PCS
7	Backrest		1PCS

TOOLS REQUIRED(Provided)



Allen Wrench

HARDWARE LIST:

NO.	Description	Sketch	Quantity
A	M6*50mm		16PCS
B	Washer		16PCS
C	Screw Cap		16PCS
D	Wooden Stick		10PCS
E	Bandage		5PCS
F	Allen Wrench		1PCS

ASSEMBLY INSTRUCTIONS

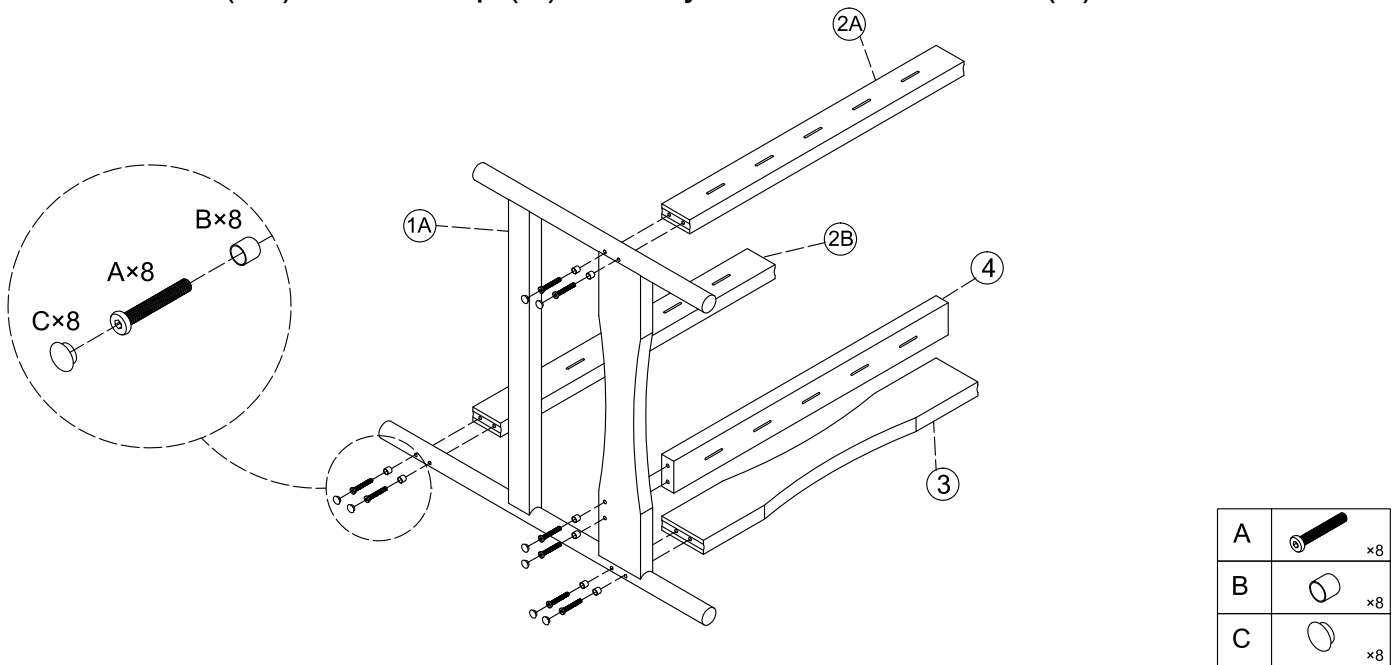
ITEM: W1885125554

Description: Comfy Accent Armchair

Thank you for purchasing this quality product, be sure to check all packing material carefully for small part that may have come loose inside the carton during shipment.

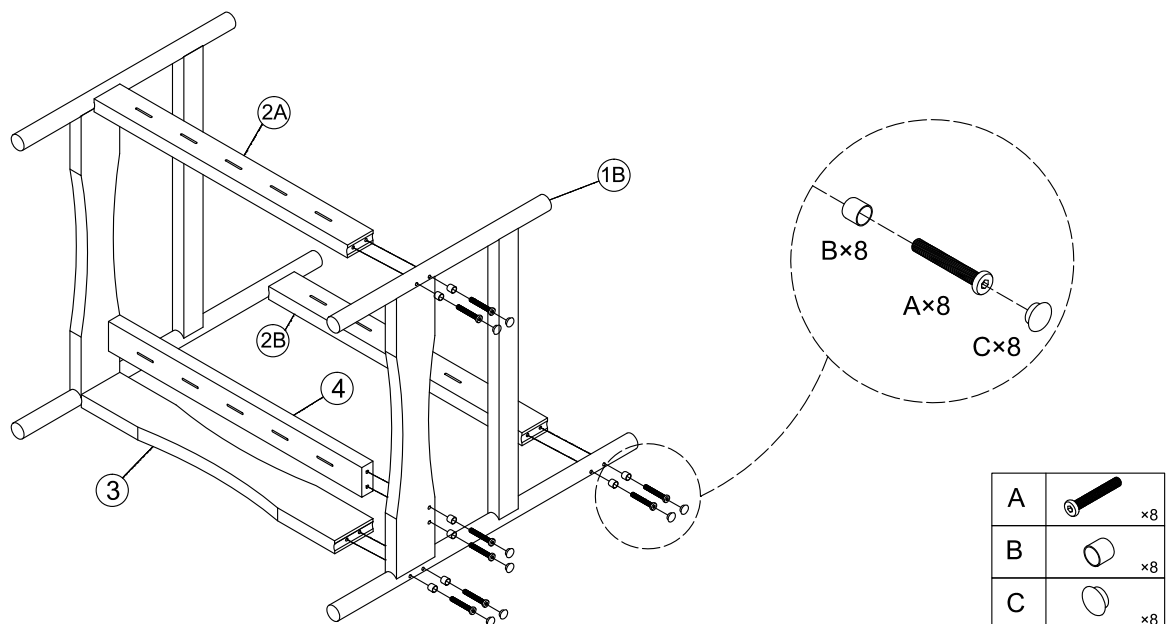
Step 1

Use Bolts(A), Washer(B) to connect Side Rail(2A/2B), Side Rail(3) and Side Rail(4) to Left Frame(1A). Screw Cap (C) is finally installed on the bolt (A) for decoration.



Step 2

Use Bolts(A), Washer(B) to connect Side Rail(2A/2B), Side Rail(3) and Side Rail(4) to Left Frame(1B). Screw Cap (C) is finally installed on the bolt (A) for decoration.

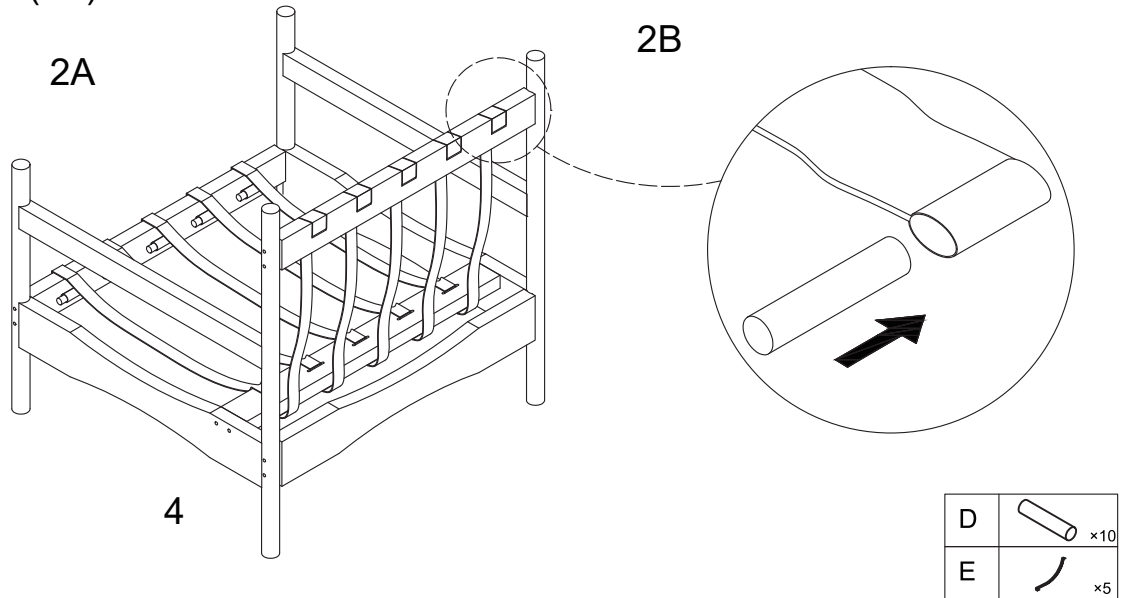


ASSEMBLY INSTRUCTIONS
ITEM: W1885125554
Description: Comfy Accent Armchair

Thank you for purchasing this quality product, be sure to check all packing material carefully for small part that may have come loose inside the carton during shipment.

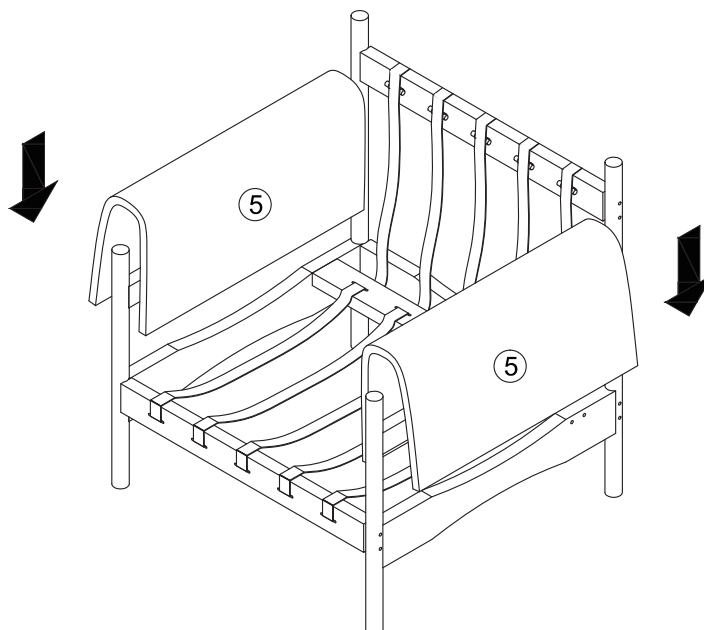
Step 3

First, thread the Bandage (E) into the Side Rail (2A), Side Rail (2B) and Side Rail (4), then insert the Wooden Stick (D) into the Bandage (E) and secure it to the Side Rail (2A) and Side Rail (2B).



Step 4

Install the Armrests (5) on the frame (1A/1B), (there is a Velcro on the back of the Armrest, just use the Velcro to install it on the frame)

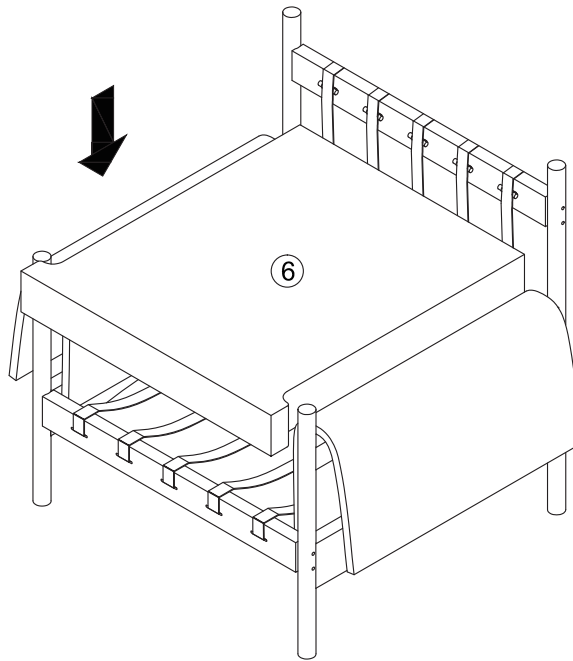


ASSEMBLY INSTRUCTONS
ITEM: W1885125554
Description: Comfy Accent Armchair

Thank you for purchasing this quality product, be sure to check all packing material carefully for small part that may have come loose inside the carton during shipment.

Step 5

Install the Seat Cushion(6) on the Chair Frame.



Step 8

Install the Backrest(7) on the Side Rail(2B).

