

FAN JOY

READ AND SAVE THESE INSTRUCTIONS FOR LIGHT FAN
THE ILLUSTRATIONS IN THIS MANUAL ARE FOR EXPLANATION PURPOSES
ONLY AND MAY DIFFER FROM THE ACTUAL UNIT.
IT IS SUBJECT TO CHANGE WITHOUT PRIOR NOTICE
FOR FURTHER IMPROVEMENTS. COPYRIGHT IS
RESERVED AND MAY NOT BE REPRODUCED
WITHOUT PERMISSION.

SAFETY PRECAUTION

PLEASE USE THE PRODUCT CORRECTLY IN STRICT ACCORDANCE WITH THE REQUIREMENTS OF THIS INSTRUCTION.

IN ORDER TO AVOID CAUSING PERSONAL INJURY AND PROPERTY DAMAGE, THE FOLLOWING SAFETY REGULATIONS ARE LISTED AND MUST BE IMPLEMENTED. FAILURE TO COMPLY WITH SAFETY REGULATIONS AND MISUSE MAY LEAD TO ACCIDENTS.

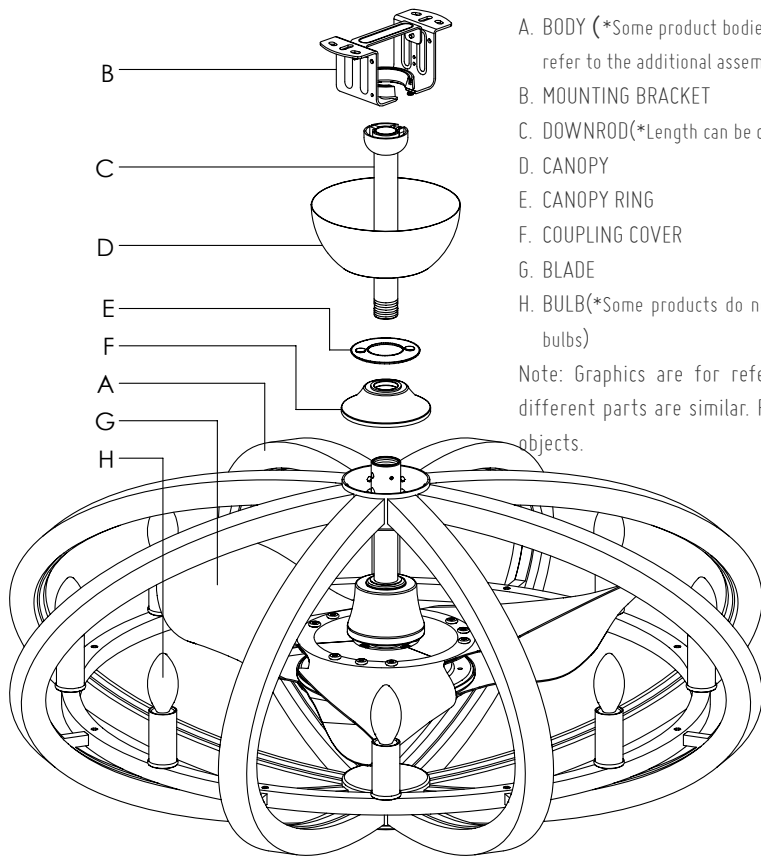


- **WARNING:** Chemical Burn Hazard. Keep batteries away from children.
- This product contains a lithium button cell battery. If a new or used lithium button cell battery is swallowed or enters the body, it can cause severe internal burns and can lead to death in as little as 2 hours. Always completely secure the battery compartment. If the battery compartment does not close securely, stop using the product, remove the batteries, and keep it away from children. If you think batteries might have been swallowed or placed inside any part of the body, seek immediate medical attention.
- The batteries shall be disposed of properly, including keeping them away from children; even used cells may cause injury.
- The product is not intended to be used by persons with physical, sensory or mental disabilities or lack of experience and knowledge (including minors), unless someone responsible for their safety supervises or directs them in the use of the product. Minors should be prevented from playing with the product.
- It is forbidden to connect the product to the governor or dimmer. This product can only be used with accessories or accessories specially designed for it.
- If the wire is damaged, it must be replaced by the manufacturer or qualified person to avoid danger!
- **WARNING**—To Reduce The Risk Of Personal Injury, Do Not Bend The Blade Brackets When Installing The Brackets, Balancing The Blades, Or Cleaning The Fan. Do Not Insert Foreign Objects In Between Rotating Fan Blades.
- Don't hang anything else on the product to avoid damaging the fan balance and rotating mechanism.
- **WARNING**—To make sure power is off before attempting installation. To reduce the risk of fire, electric shock, or injury to persons, unplug or disconnect the appliance from the power supply before the fan installation, cleaning, or servicing.

SAFETY PRECAUTION

- WARNING — Support Directly From Building Structure.
- The installation is to be in accordance with the National Electrical Code, ANSI/NFPA 70-1999 and local codes. Consult a qualified electrician if in doubt.
- WARNING — To Reduce The Risk Of Electric Shock, This Fan Must Be Installed With A General-Use, Isolating Wall Control/Switch.
- Conductor of a fan identified as grounded conductor to be connected to a grounded conductor of power supply, conductor of fan identified as ungrounded conductor to be connected to an ungrounded conductor of power supply, conductor of fan identified for equipment grounding to be connected to an equipment-grounding conductor.
- After making the wire connections, the wires should be spread apart with the grounded conductor and the equipment-grounding conductor on one side of the outlet box and the ungrounded conductor on the other side of the outlet box.
- The splices after being made should be turned upward and pushed carefully up into the outlet box.
- All set screws must be checked, and retightened where necessary, before installation.
- It is forbidden to use in damp, high temperature, dusty or acid and alkali storage places. Fire sources or flammable materials should be avoided.
- Babies, elderly people and patients should not stay under the fan for a long time to avoid discomfort.
- The ceiling fan is installed at least 2.3 meters from the floor and 1 meter from the side wall.
- This product is only suitable for indoor use.

PARTS NAME



A. BODY (*Some product bodies need to be assembled, please refer to the additional assembly instructions provided)

B. MOUNTING BRACKET

C. DOWNROD(*Length can be customized to distributors)

D. CANOPY

E. CANOPY RING

F. COUPLING COVER

G. BLADE

H. BULB(*Some products do not use or do not provide light bulbs)

Note: Graphics are for reference only. The names of different parts are similar. Please refer to the physical objects.

ASSEMBLY INSTRUCTION

STEP 1 – PRODUCT BODY ASSEMBLY

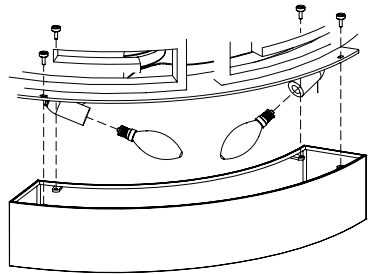
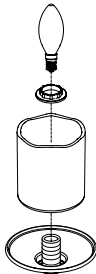
Most models of the main body of the product have been assembled in the factory. In order to ensure safety, the stability of the main body assembly of the product should be preliminarily checked before installation.

Additional assembly instructions will be provided when consumers are required to assemble themselves. Please refer to the corresponding assembly instructions to assemble the main body of the product correctly.

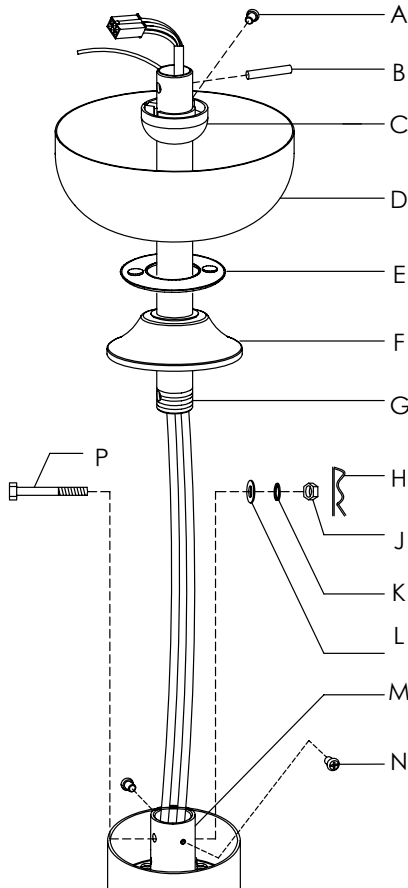
STEP 2 – GLASS & SHADE ASSEMBLY (*Some products do not need to be assembled.)

(*Please choose the appropriate instructions according to the actual product.)

- (1). Place glass or shade over socket and secure with ring
- (2). Install the bulb.
- (1). Install the bulb.
- (2). Fix glass or shade onto the frame with screw.
- (3). Fix Diffuser (*Some products do not use this accessory) onto the frame with screw.

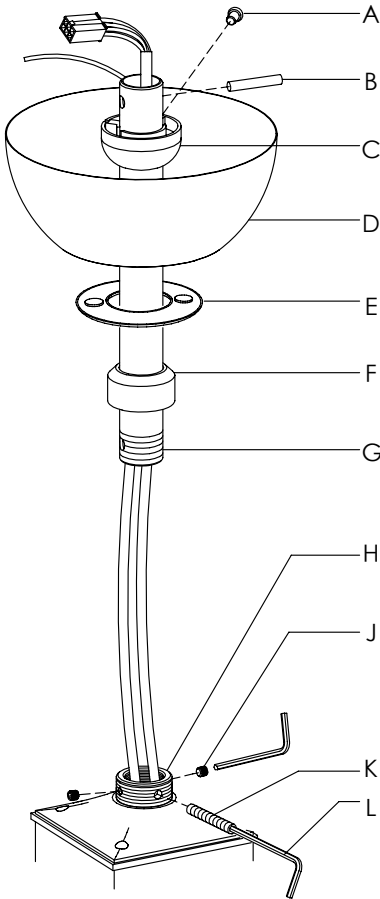


INSTALLATION INSTRUCTION



- STEP 3A** (*Choose appropriate instructions according to actual products)
- (1). Remove the Clevis Pin (H), Nut (J), Spring Washers (K), Flat Washers(L) & Bolt (P) on Coupling (M).
 - (2). Loosen the Screw (A) from Hanger Ball (C), remove the Hanger Ball (C) and Lock Pin (B).
 - (3). Route the wires and safety wire from the motor through the Downrod (G).
 - (4). Install the Downrod (G) to Coupling (M) and secure with Bolt (P), Flat Washer (L), Spring Washer (K), Nut (J) & Clevis pin (H).
 - (5). Tighten the 2 Set Screws (N) on the Coupling (M) to serve as a clamping force on the Downrod (7) to prevent fan shaking during operation.
 - (6). Route the Coupling cover (F), Canopy Ring(E), Canopy (D) and Hanger Ball(C) through the Downrod (G) in turn, and then install the Lock pin (B) through the hole on the Downrod (G). Slip the hanger ball (C). upward to lock Pin (B), and fix it by Screw(A), then slip down the Coupling Cover(F) in correct position.
 - (7). Push the fan blade gently with your hand, if the fan blade can't rotate, Remove the stopper on the fan motor.

INSTALLATION INSTRUCTION

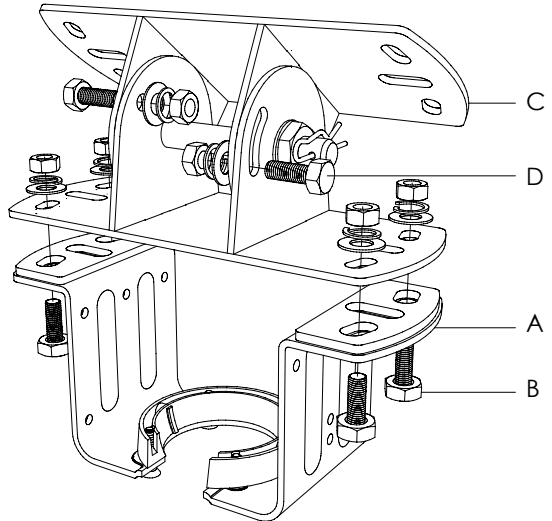


- STEP 3B** (*Choose appropriate instructions according to actual products)
- (1). Remove the Screw (K) on Coupling (H), loose two Screws (J),
 - (2). Loosen the Screw (A) from Hanger Ball (C), remove the Hanger Ball (C) and Lock Pin (B).
 - (3). Route the wires and safety wire from the motor through the Downrod (G).
 - (4). Install the Downrod (G) to Coupling (H) and align the hole of the Downrod (G) to the hole of Coupling (H). Poke wires with Allen Wrench (L) through the hole of Coupling (H). lock the Screw to the Coupling (H) with Allen Wrench (L).
 - (5). Tighten the 2 Screws (J) on the Coupling (H) to serve as a clamping force on the Downrod (G) to prevent fan shaking during operation.
 - (6). Route the Coupling cover (F), Canopy Ring(E), Canopy (D) and Hanger Ball(C) through the Downrod (G) in turn, and then install the Lock pin (B) through the hole on the Downrod (G). Slip the hanger ball (C). upward to lock Pin (B), and fix it by Screw(A), then screw the Coupling Cover(F) on the Coupling (H).
 - (7). Push the fan blade gently with your hand, if the fan blade can't rotate, Remove the stopper on the fan motor.

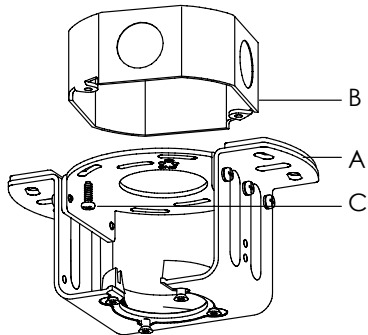
INSTALLATION INSTRUCTION

STEP 4 – PITCHED ROOF (10°~40°) (*Skip this step for flat roof)

- (1). Fix the Mounting Bracket (A) to the Adjustable Angle Mounting Seat (C*Need to order this accessory KQ0351 from the distributor) with Bolts (B), washer and nut.
- (2). Remove the Angle Locking Bolt (D).
- (3). Fix the Adjustable Angle Mounting Seat (C) and Mounting Bracket (A) to the ceiling reference **STEP 5**.
- (4). Adjust the Mounting Bracket (A) to the level position, Place the Angle Locking Bolt (D) through the aligned hole, Lock the Adjustable Angle Mount Seat (C) with washer and nut.
- (5). Jump to **STEP 6** to continue the installation.



INSTALLATION INSTRUCTION

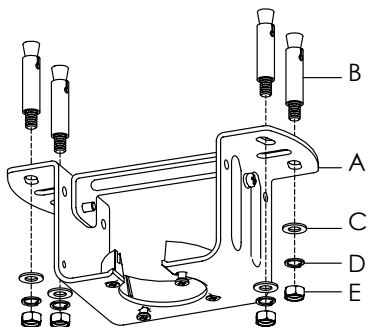


STEP 5A – OUTLET BOX

(1) Install the mounting bracket (A) onto Outlet Box (B) (Not included) with the Mounting Screws (C).

WARNING – TO REDUCE THE RISK OF FIRE, ELECTRIC SHOCK, OR PERSONAL INJURY, MOUNT TO OUTLET BOX MARKED (ACCEPTABLE FOR FAN SUPPORT OF 15.9 KG (35LBS) OR LESS) AND USE MOUNTING SCREWS PROVIDED WITH THE OUTLET BOX AND/OR SUPPORT DIRECTLY FROM BUILDING STRUCTURE.

IMPORTANT: SCREWS MUST BE TIGHTENED TILL SNUG.

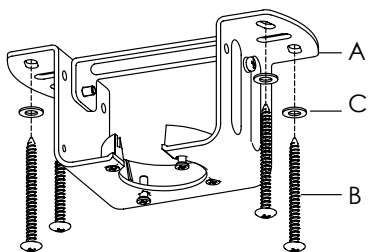


STEP 5B – CONCRETE CEILING

(1). Use the Mounting Bracket (A) as a guide, mark the spots where the 4 Expansion Bolts (B) will be drilled.

(2). Remove the Mounting Bracket (A), drill 4 holes and insert 4 Expansion Bolts (B) into the concrete ceiling, install the mounting bracket and secure with Flat Washers (C), Spring Washers (D) and Nuts (E).

IMPORTANT: SCREWS & NUTS MUST BE TIGHTENED TILL SNUG.



STEP 5C – WOODEN CEILING

(1). Use the Mounting Bracket (A) as a guide, mark the spots where the 4 Self Tapping Screws (B) will be drilled.

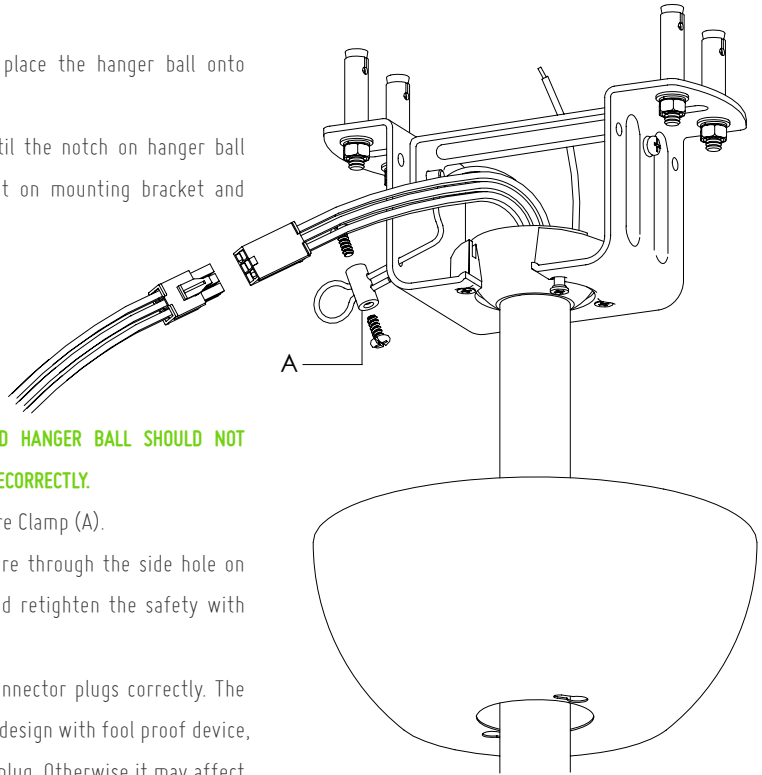
(2). Remove the Mounting Bracket (A), drill 4 holes for 3mm diameter, install the mounting bracket onto wooden ceiling with the 4 Self Tapping Screws (B) & Washers (C).

IMPORTANT: SCREWS MUST BE TIGHTENED TILL SNUG.

INSTALLATION INSTRUCTION

STEP 6

- (1). Raise the fan and place the hanger ball onto mounting bracket.
- (2). Rotate downrod until the notch on hanger ball snapped into the slot on mounting bracket and sits firmly.



NOTE: THE DOWNROD AND HANGER BALL SHOULD NOT ROTATE IF THIS STEP IS DONE CORRECTLY.

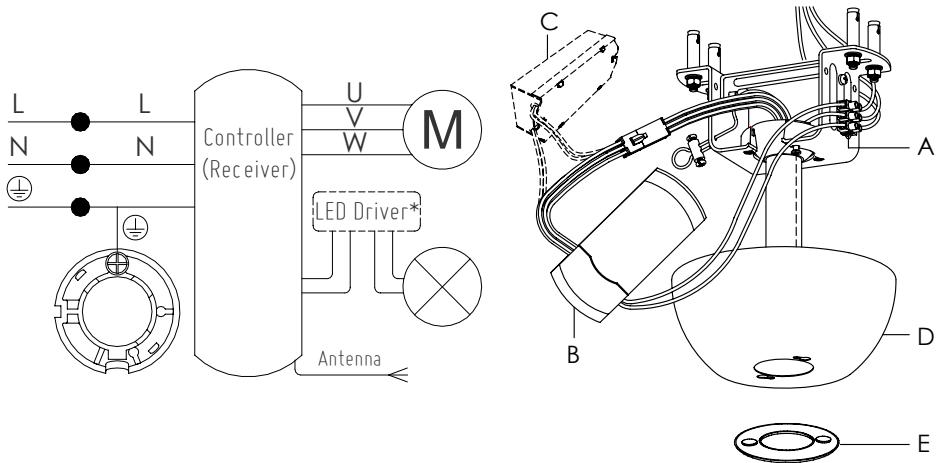
- (3). Loosen the Safety Wire Clamp (A).
- (4). Route the safety wire through the side hole on mounting bracket, and retighten the safety with safety wire clamp.
- (5). Connect the wire connector plugs correctly. The wire connector plugs design with fool proof device, please don't force to plug. Otherwise it may affect the normal use of the light fan or burn the fan motor.

INSTALLATION INSTRUCTION

STEP 7

NOTE: SWITCH OFF THE ELECTRICAL MAINS AT THE CIRCUIT BREAKER FUSE BOX.

- (1). Correctly Connect supply wires to wires of controller with terminal block (A) or wire nuts as instruction diagram. The antenna on the controller doesn't need to be connected or cut off.
- (2). Insert the controller and LED driver (c*Some products do not use this accessory) into the space of the mounting bracket and tidy up the wiring.
- (3). Carefully push the Canopy (D) to the bottom of the mounting bracket, make two sliding holes aligned to the two prominent screws on the mounting bracket, and then turn clockwise until tight.
- (4). Push the Canopy Ring (E) to the bottom of the Canopy (D).
- (5). Installation completed, power on.



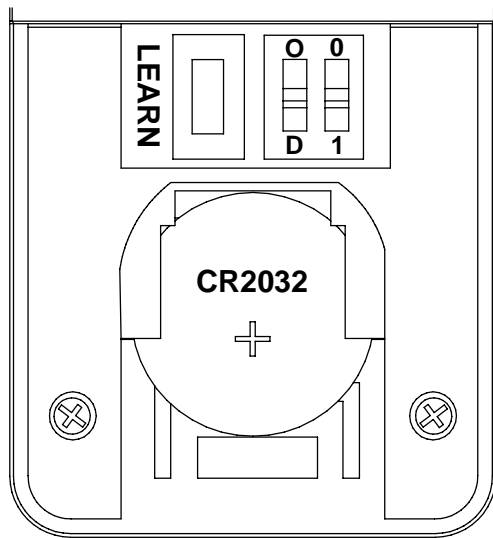
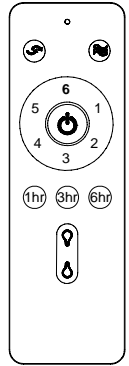
REMOTE CONTROL

(*Please select the appropriate instructions according to the actual remote control.)

SETTING UP REMOTE CONTROL (TR252A)

Remote control has been pre-set in the factory. Insert battery (*When the remote control is not used for a long time, the battery should be removed. type: CR2032) into remote control and it is ready to use.

When the remote controller can not control the fan or replace the new remote controller (*Only factory-specified remote controls can be used), please follow the following steps to complete the remote control matching settings.

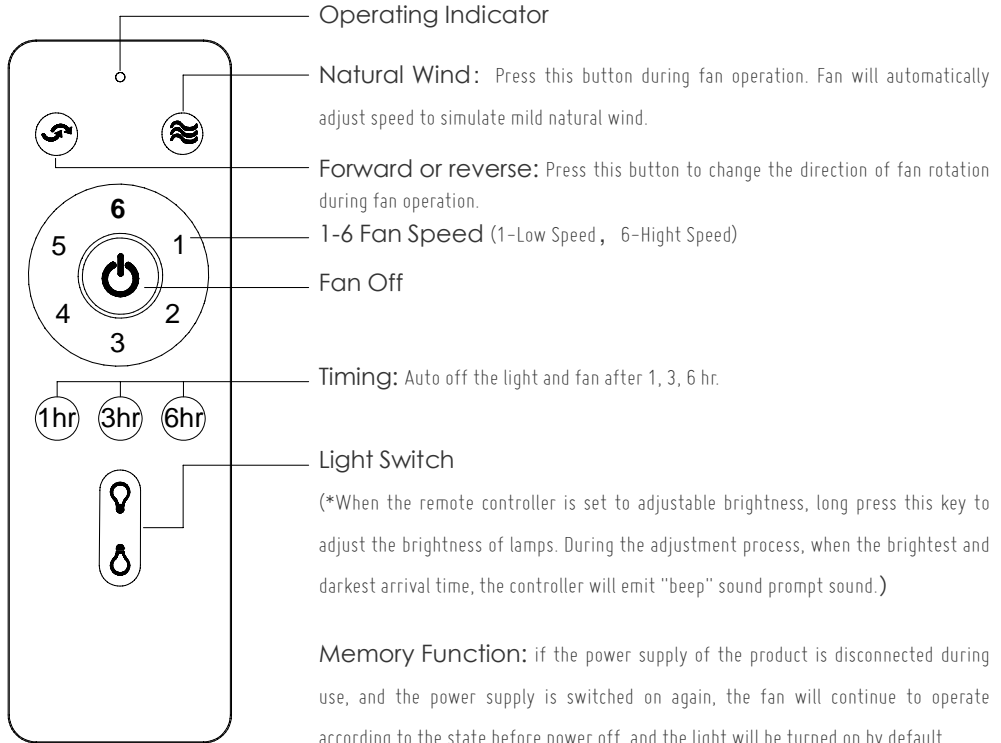


- (1). Switch off the main power supply of the fan.
- (2). Open the back cover of the remote control, dial down the right switch to position "1".
- (3). Dial up the left switch to position "0", the lamps only can be switched on and off; Dial down the left switch to position "D", can adjust brightness of lamps (*This option requires adjustable brightness product support).
- (4). Turn on the main power supply for matching fans, Within 30 sec press and hold the LEARN button, the fan will "Beep" twice and the light will bright out twice.
- (5). Setup is complete, install back cover. If the remote control is still unavailable, please repeat the steps above.

REMOTE CONTROL

(*Please select the appropriate instructions according to the actual remote control.)

REMOTE CONTROLLER FUNCTION (TR252A)

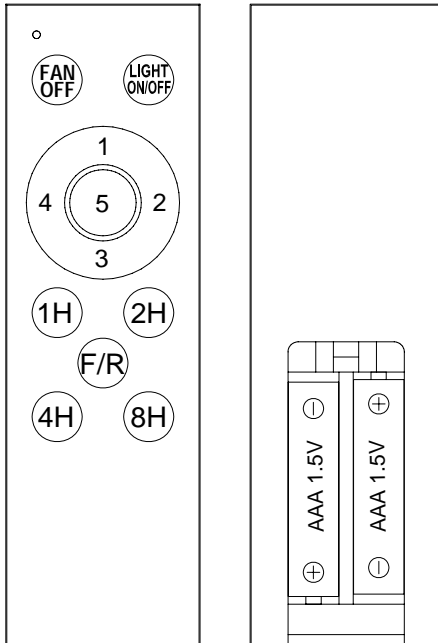


REMOTE CONTROL

(*Please select the appropriate instructions according to the actual remote control.)

SETTING UP REMOTE CONTROL (EQ0435-RC)

Remote control has been pre-set in the factory. Insert battery (*When the remote control is not used for a long time, the battery should be removed. type: AAA) into remote control and it is ready to use. When the remote controller can not control the fan or replace the new remote controller (*Only factory-specified remote controls can be used), please follow the following steps to complete the remote control matching settings.

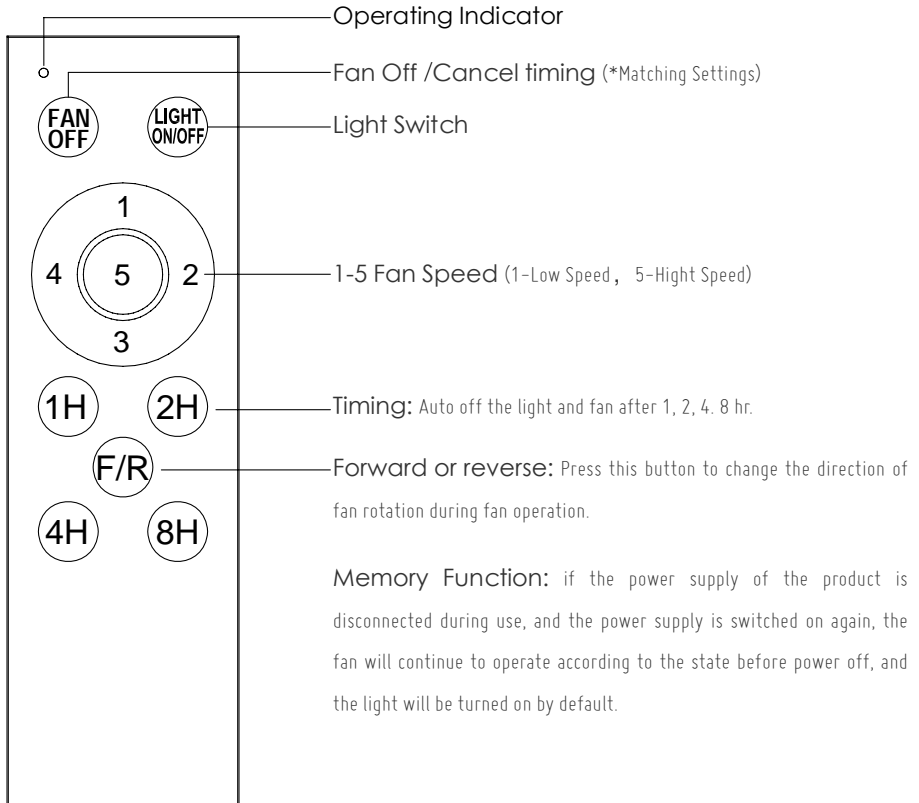


- (1). Switch off the main power supply of the fan.
- (2). Turn on the main power supply for matching fans. Within 30 sec press and hold the "FAN OFF" button, the fan will "Beep".
- (3). Setup is complete, install back cover. If the remote control is still unavailable, please repeat the steps above.

REMOTE CONTROL

(*Please select the appropriate instructions according to the actual remote control.)

REMOTE CONTROLLER FUNCTION (EQ0435-RC)



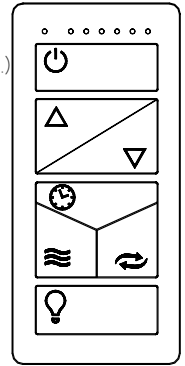
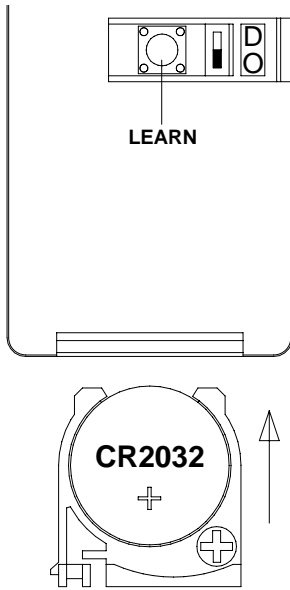
Memory Function: if the power supply of the product is disconnected during use, and the power supply is switched on again, the fan will continue to operate according to the state before power off, and the light will be turned on by default.

REMOTE CONTROL

(*Please select the appropriate instructions according to the actual remote control.)

SETTING UP REMOTE CONTROL (TR307C)

Remote control has been pre-set in the factory. Insert battery (*When the remote control is not used for a long time, the battery should be removed. type: CR2032) into remote control and it is ready to use. When the remote controller can not control the fan or replace the new remote controller (*Only factory-specified remote controls can be used), please follow the following steps to complete the remote control matching settings.

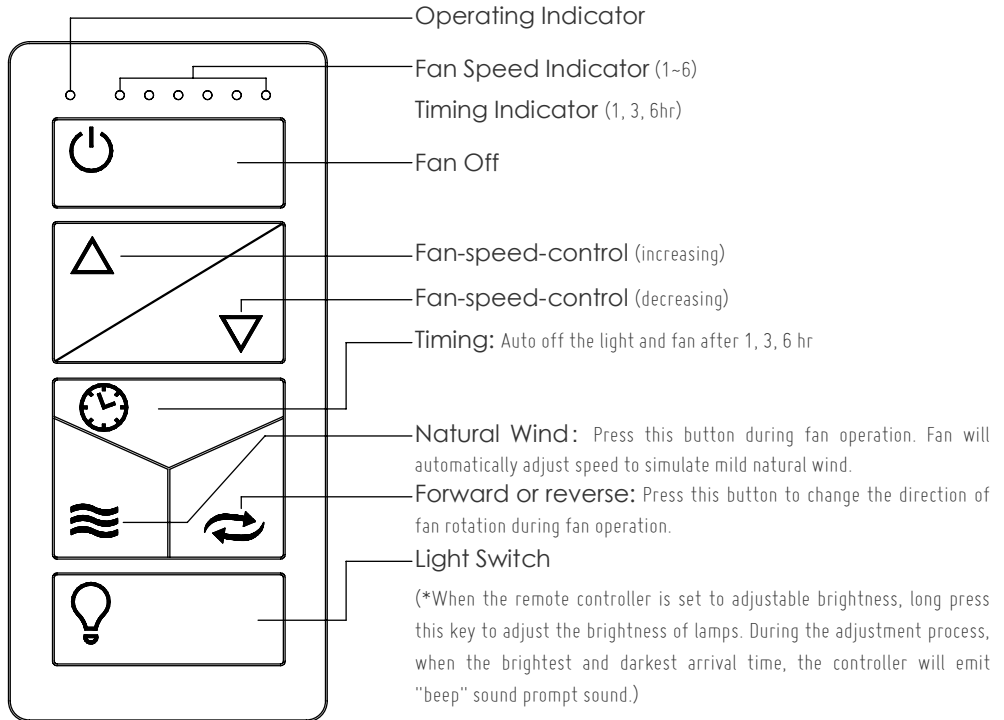


- (1). Switch off the main power supply of the fan.
- (2). Dial up the left switch to position "0", the lamps only can be switched on and off; Dial down the left switch to position "D", can adjust brightness of lamps (*This option requires adjustable brightness product support).
- (3). Turn on the main power supply for matching fans, Within 30 sec press and hold the LEARN button, the fan will "Beep" twice and the light will bright out twice.
- (4). Setup is complete, install back cover. If the remote control is still unavailable, please repeat the steps above.

REMOTE CONTROL

(*Please select the appropriate instructions according to the actual remote control.)

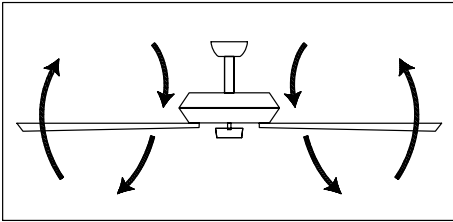
REMOTE CONTROLLER FUNCTION (TR307C)



Memory Function: if the power supply of the product is disconnected during use, and the power supply is switched on again, the fan will continue to operate according to the state before power off, and the light will be turned on by default.

REMOTE CONTROL

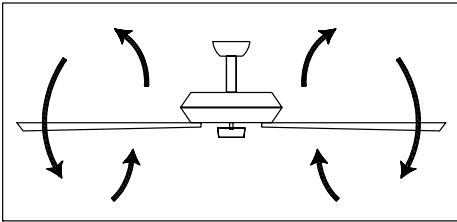
FAN FORWARD AND REVERSE USE



FORWARD

Fan rotates anti-clockwise creating a down ward airflow delivering a cooling effect.

Suitable for hot weather condition or air-conditioned condition.



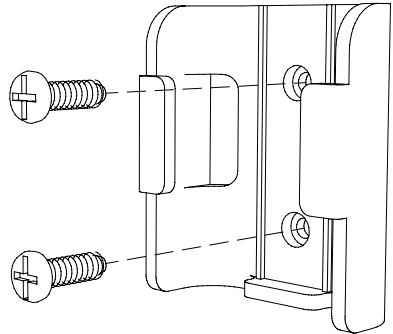
REVERSE

Fan rotates clockwise creating —an upward airflow moving warm air off the ceiling areas. This function works best at lower fan speed.

Suitable for cold weather or air-conditioned condition.

INSTALLING REMOTE CONTROL HOLDER

Install the holder (*Some products may not provide wall seats or be inconsistent with graphics.) to the wall or any flat surface with the mounting screws provide, place remote control into the holder.



MAINTENANCE AND CLEANING

MAINTENANCE

- (1) The connection of the fan may be loosened after running for a period of time. To ensure safety, the suspension system should be checked every six months.
- (2) Check or replace the batteries of the remote controller every 6 months (*Battery type is referred to the corresponding instructions of the remote control).
- (3) Please refer to specifications to replace qualified and appropriate light bulbs (*Some products do not use light bulbs; Energy-saving bulbs generally Unsupported brightness adjustment and some LED bulbs may not support brightness adjustment.)
- (4) There is no need to add lubricating oil to the fan.

CLEANING

- (1) Please disconnect the power supply before cleaning the fan and replacing the light bulb (*Some products do not use the light bulb).
- (2) In order to avoid being scalded by the bulb and its adjacent parts, the bulb and its adjacent parts should be cleaned after they are lowered to normal temperature.
- (3) It is strictly forbidden to use sharp tools such as sandpaper and wire brush to clean the fan.
- (4) It is strictly forbidden to use detergent, corrosive or acidic solution to clean the fan.
- (5) Use a soft brush to clean the dust on the fan or a soft wet cloth to clean the dirt on the fan.
- (6) After cleaning with a soft wet cloth, please use the hair dryer to dry immediately to prevent leakage danger caused by water infiltrating into the live parts or rusting the metal part of the fan due to prolonged humidity.

TECHNICAL SPECIFICATIONS

Fan Rated Wattage	Noise*	Airflow *	Radio Frequency
30W	≤55dB	4.5m ³ /(min.W)	433MHz

TECHNICAL STANDARD (*All products are manufactured in accordance with the latest edition standards in force at that time.)

IEC 60335-1	IEC 60598-1	UL 507	UL1598
IEC60335-2-80	IEC 60598-2-1	CSA C22.2 NO.113	CSA C22.2 NO.250.0

HAZARDOUS SUBSTANCES

PARTS	Pb	Hg	Cd	Cr VI	PBBs	PBDEs
Motor	○	○	○	○	○	○
Blade	○	○	○	○	○	○
Metal	○	○	○	○	○	○
Power Cord	X	○	○	○	○	○
Electronic component	X	○	X	○	○	○
Other plastic parts	○	○	○	○	○	○
Packaging and Printing	○	○	○	○	○	○

O: It means that the content of the harmful substance in all homogeneous materials of the component is below the prescribed limit.

X: It means that the content of the harmful substance in at least one homogeneous material of the part exceeds the prescribed limit. It can not be replaced at present due to technical reasons, and will be improved gradually with the progress of technology.

In order to protect the environment and human health:

1. After the product is scrapped, please separate it from the domestic waste. Consumers have the responsibility to send it to the qualified recycling point.
2. The recycling center will recycle and reuse the materials in the products by appropriate methods.
3. The "environmental protection service life" of this product is 10 years. After the expiration of the environmental protection service life, please stop using and recycle it in time.
4. For detailed information on the recycling of this product, please consult the local government, waste disposal center or distributor.



Note: The data listed in this table may be deviated in varying degrees due to local power supply system, product installation location and mode, product usage, electromagnetic interference and other factors.