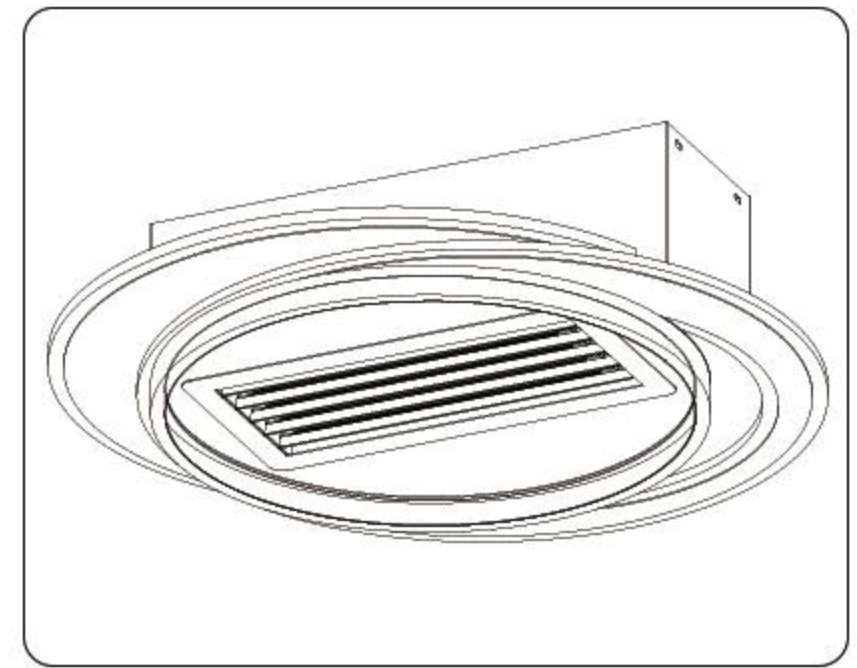
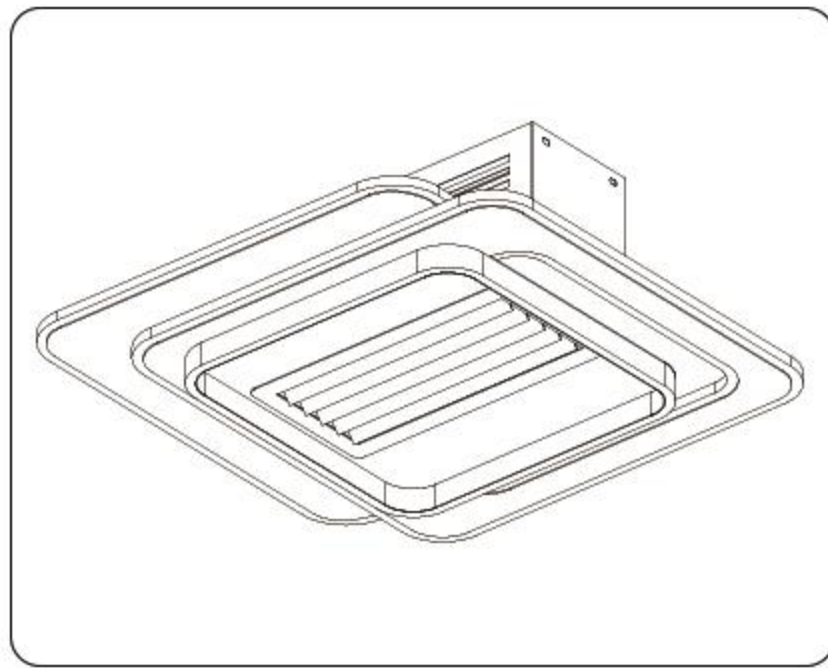
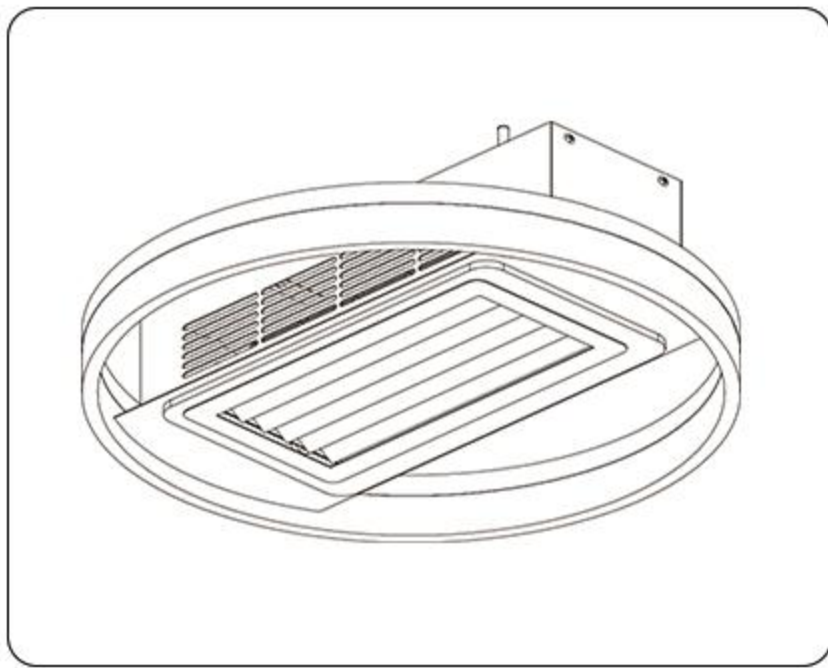

PRODUCT INSTRUCTION MANUAL

Detachable and washable • Creative bladeless fan light



※Note: The installation of other designs have the same steps and need to be read carefully before installation.



Scan the code for video installation tutorial

EXECUTIVE STANDARDS: GB 4706.1-2005、GB 4706.27-2008、GB 17625.1-2012
GB 4343.1-2018、GB 7000.1-2015、GB 7000.201-2008

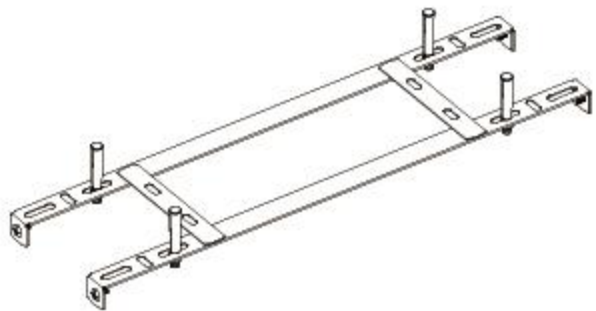
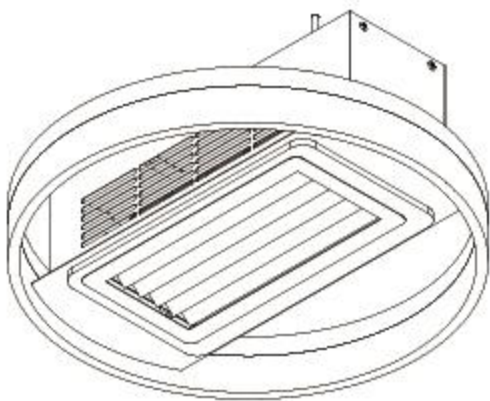

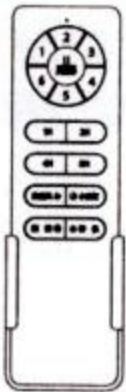
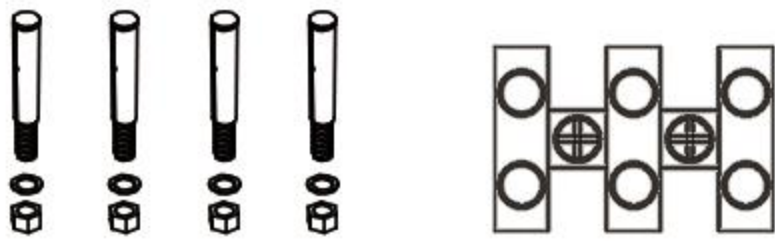
Thank you for choosing our bladeless fan lights!
Please be sure to read the manual carefully in order to ensure
full understanding of installation and use of this product.

CONTENTS

show >>>

1.Packing list	01
2.Hanging board installation	02
3.Wiring instructions	04
4.Disassembly and cleaning	05
5.Remote control	06
6.Care & Maintenance	07

1. Packing list

Item	Name	Illustration	Quantity
01	Hanging plate (4 screws included)		1
02	Fan light		1
03	Instructions		1
04	Remote control		1
05	Screw packs, terminal blocks	 Expansion screws*4 Terminal blocks	2

Note: Please verify the products received in this accessories list, contact customer service if there is any omission.



Before the installation of the fan light, pay attention to the safety precautions and prepare the tools needed.

1. Before the installation or disassembly of the fan light please turn off the power supply. The installation sequence must be grounding wire, zero wire (N), live wire (L), the disassembly order must be live wire (L), zero wire (N), grounding wire in order to avoid electric shock.
2. When installing the fan light, each screw must be firmly locked.
3. When the fan light is operating, no objects should touch the wind wheel in the lamp to avoid danger.

Installation tools:



Electric drill



Wrench



Ladder



Pincers



Phillips screwdriver



Tape

Warning!

Please entrust a professional with a certificate of qualification to carry out the installation, the user must not install it himself!

WARNING: Do not open if there is a risk of electric shock.

Anti-electric shock warning: Do not open the front or back cover if there are missing parts in it, please consult a dedicated person if you need service.



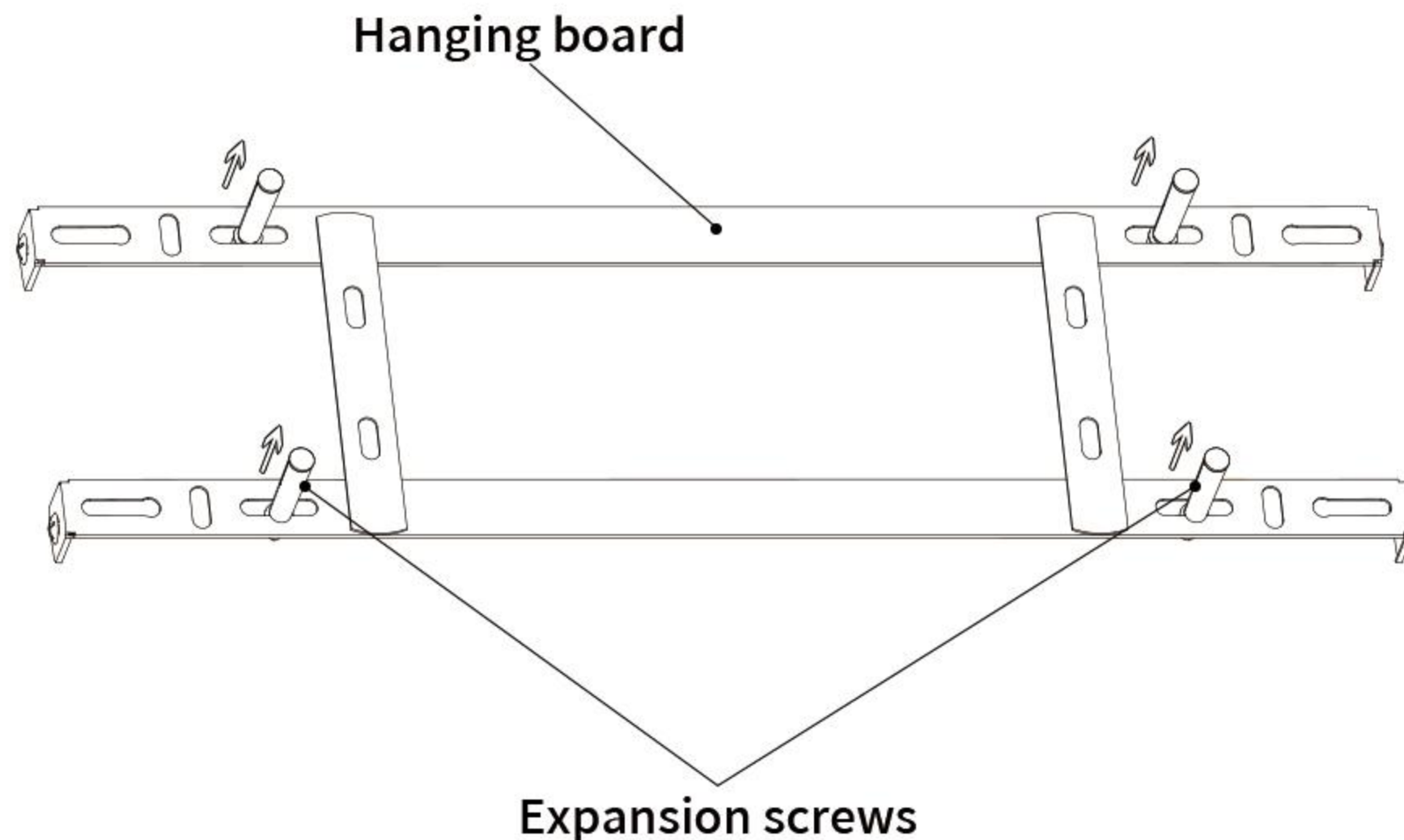
There is uninsulated "high voltage risk" inside the machine. In order to avoid electric shock, non-professional maintenance personnel should not remove the cover or rear panel by themselves.



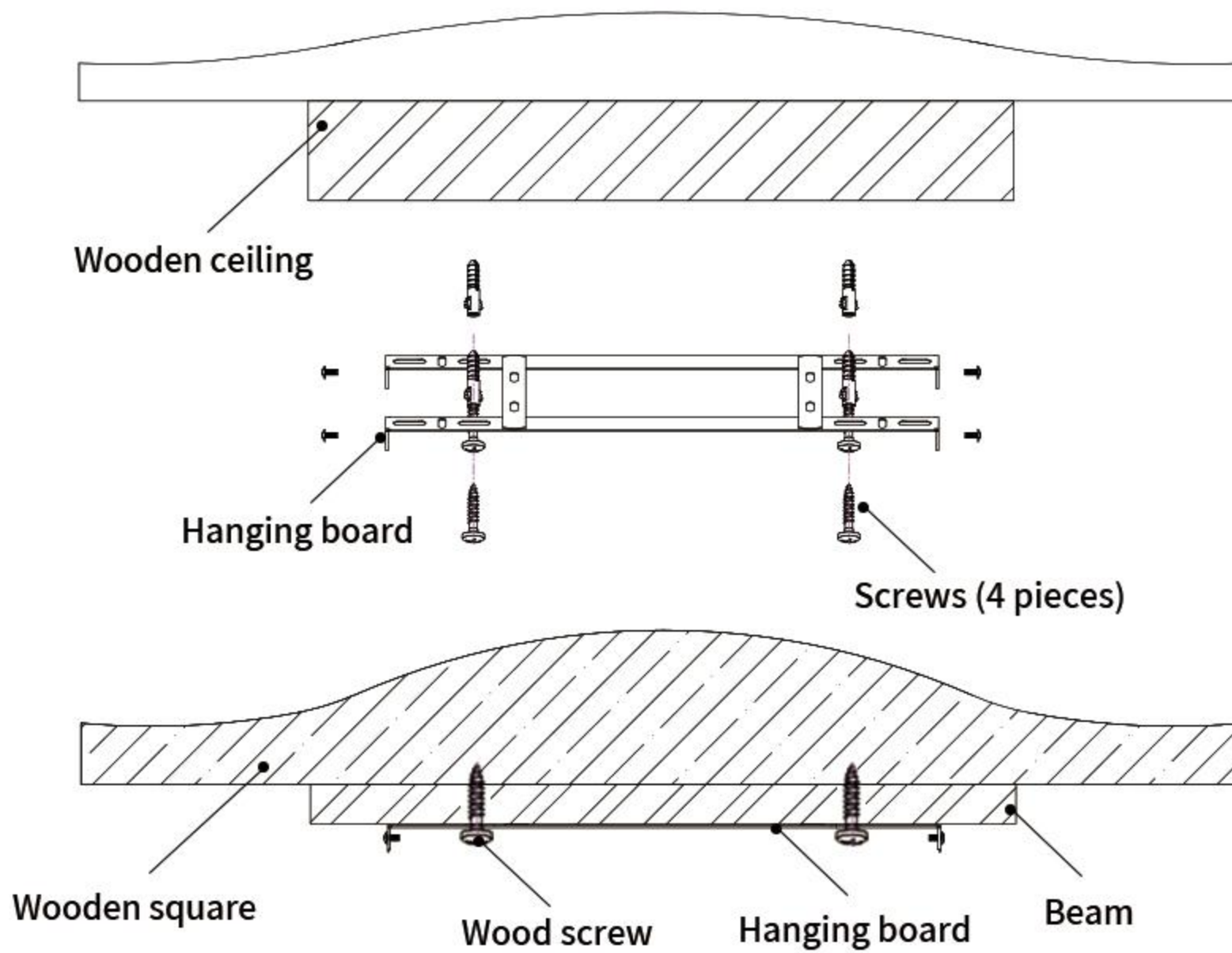
The safety components and spare parts in this machine must be replaced according to the original requirements. There are no components that requires reparations by users themselves. If maintenance is needed, please entrust personnel to carry out it.

2. Hanging board installation

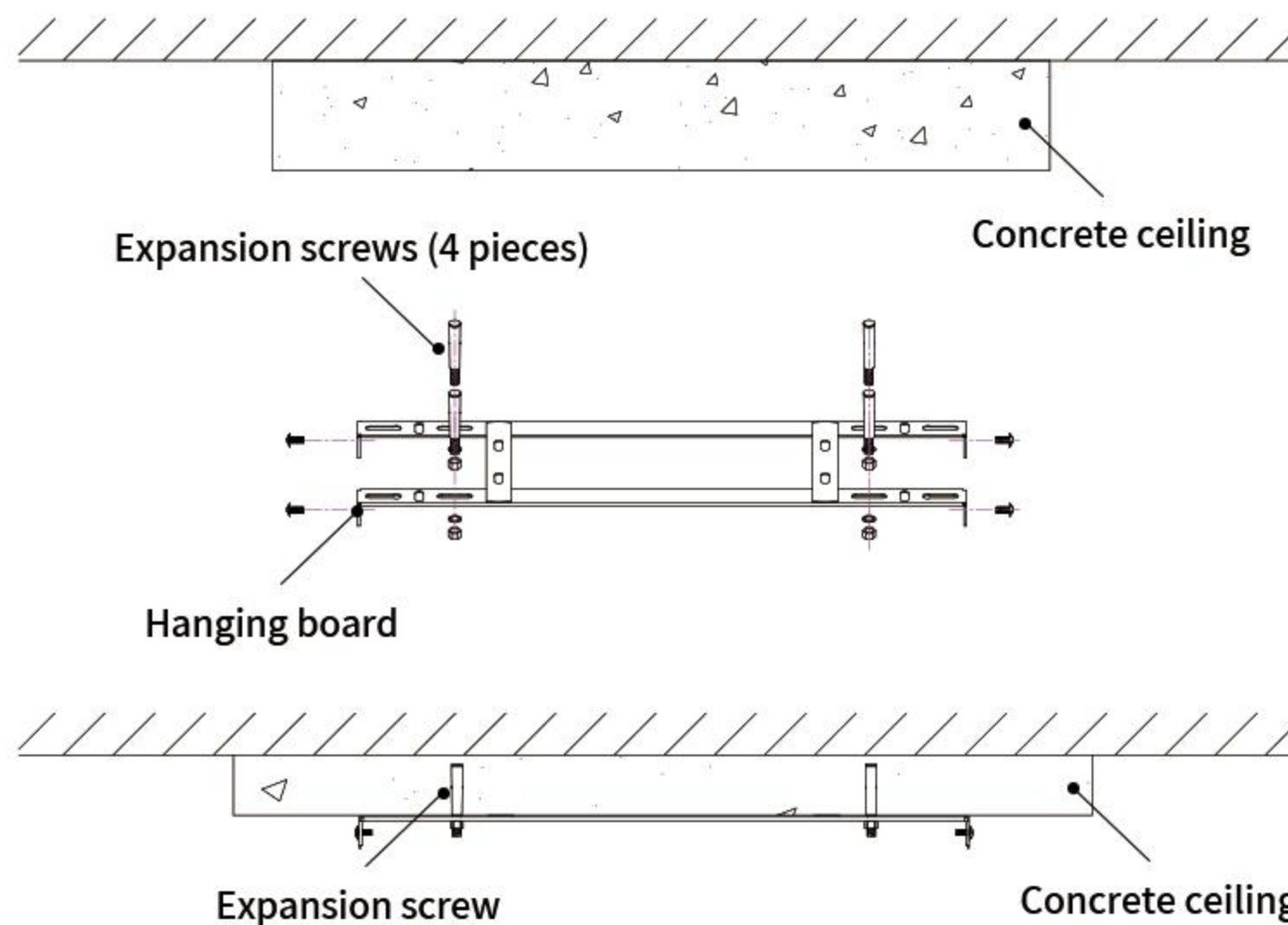
2.1 Take the 4 screws of the accessory package and use them as shown



2.2 When installing in a wooden ceiling, fix the hanging plate tightly with wooden screws or beams.



2.3 To install on a concrete ceiling, first use an 8mm impact drill to drill to a depth of 50mm, after that use the expansion screws in the accessories package to fix the hanging board on the ceiling.



Note: Please use a drill with a diameter of 8mm to drill holes before installing with M6 Wall plug

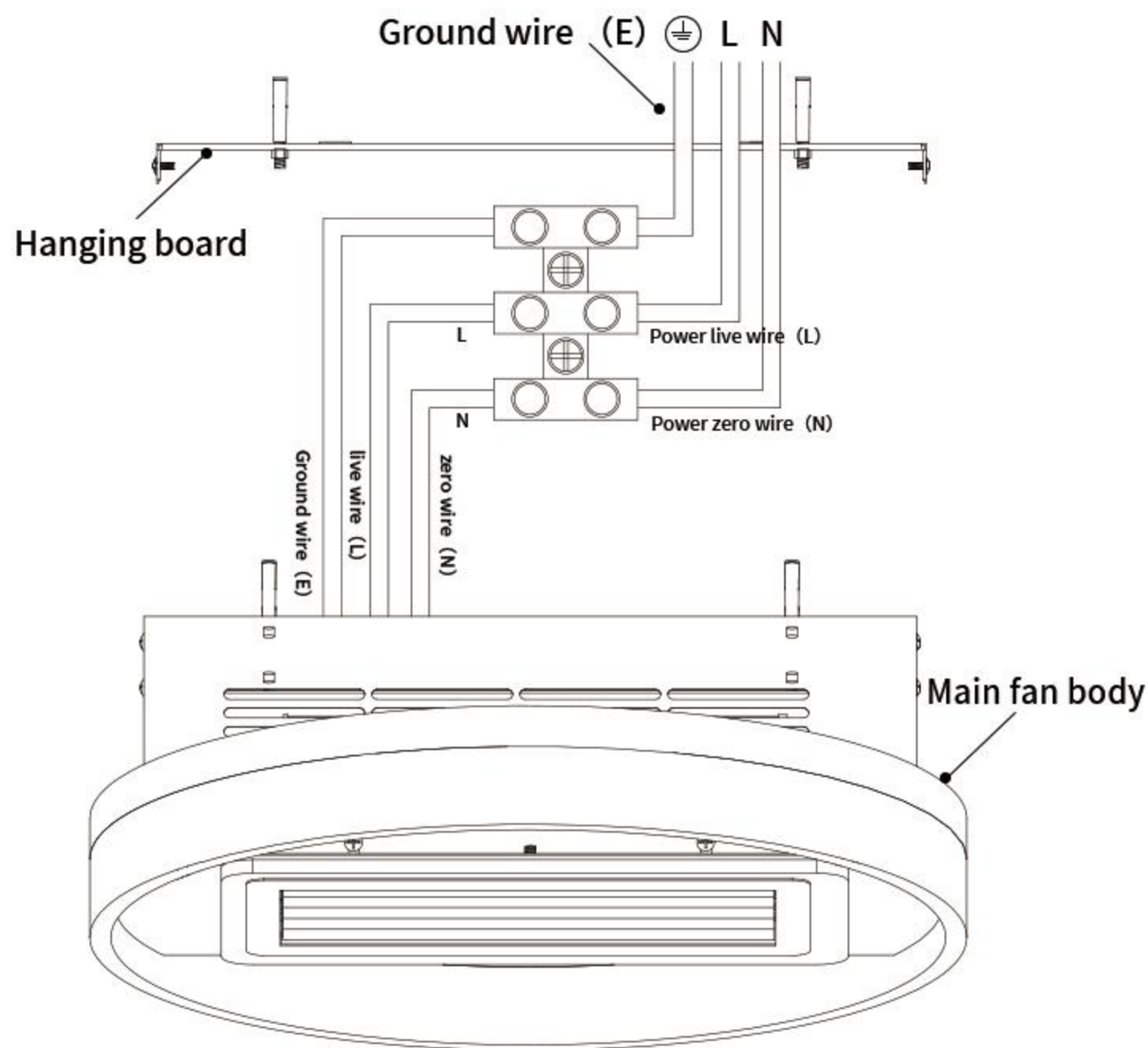


Please note:

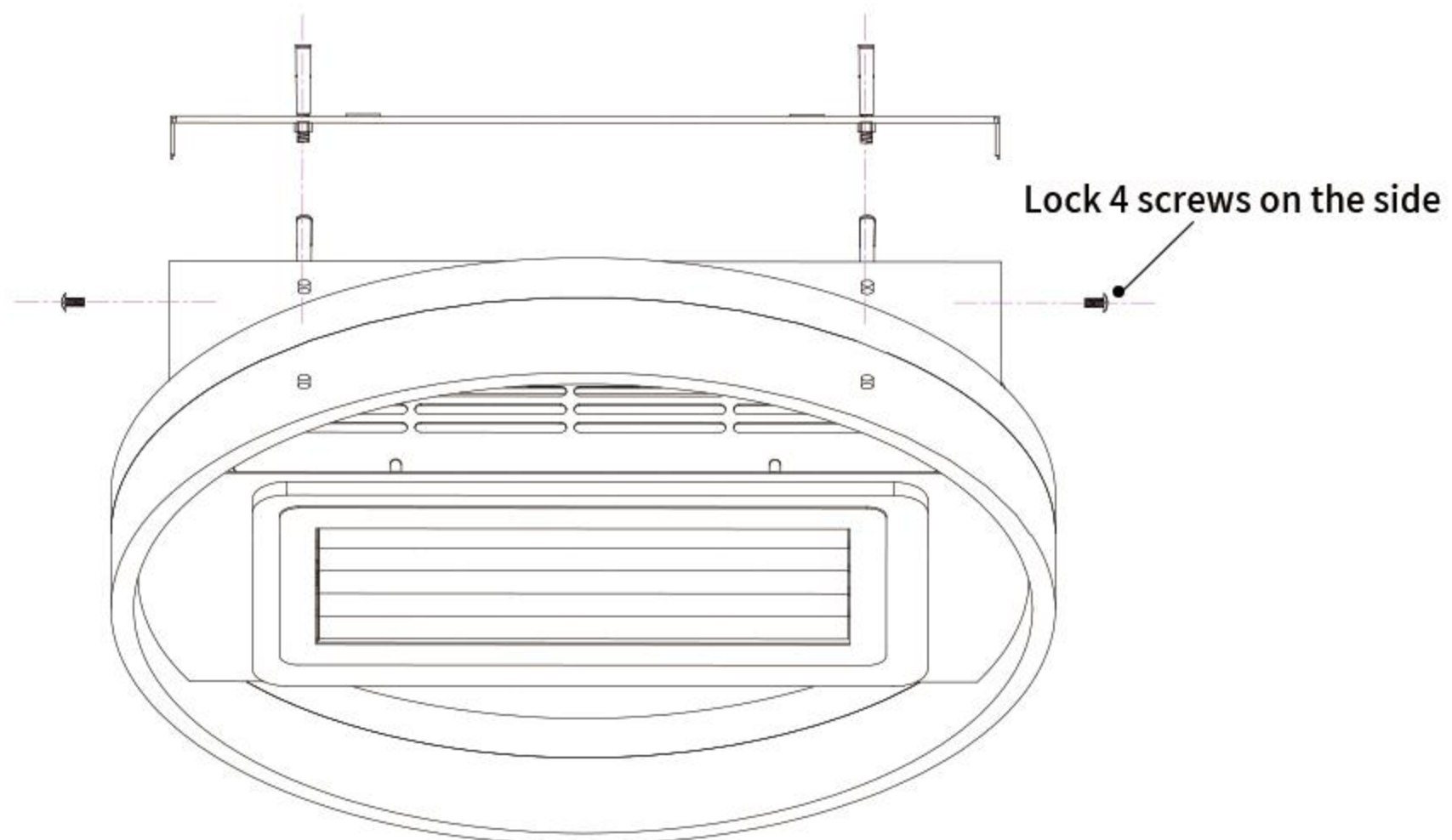
1. If you install this product in a wooden ceiling, please ensure that the thickness of the wooden board at the installation position is not less than 30mm and the bearing capacity is not less than 30kg.
2. In order to ensure reliable fixing, when installing on a ceiling made of different materials please use the corresponding fixing screws according to the above instructions.

3. Wiring instructions

3.1 Connect all the power cords to the terminal blocks as shown.



3.2 Lock the 4 screws on the side of the plate as shown



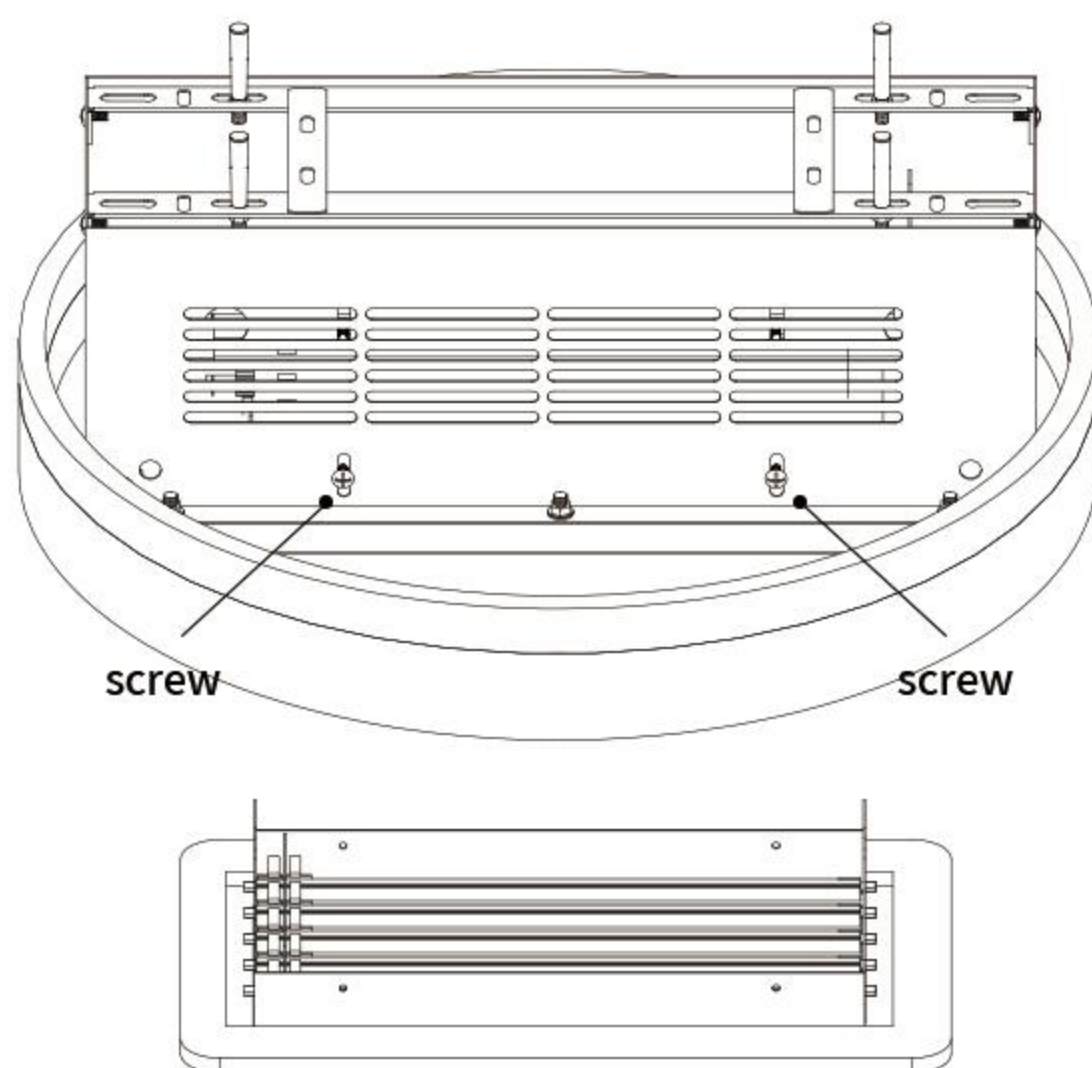
Note:

1. Before installation, inspect the lamp appearance to check whether is damaged. The power switch must be turned off before installation to prevent electric shock!
2. The power supply line of fixed wiring should be at least 3mm away from the installation point to assure a full disconnection from the device.

Warning: When installing, the LN line of the product must correspond to the LN line of the public line, otherwise it will cause abnormal lighting.

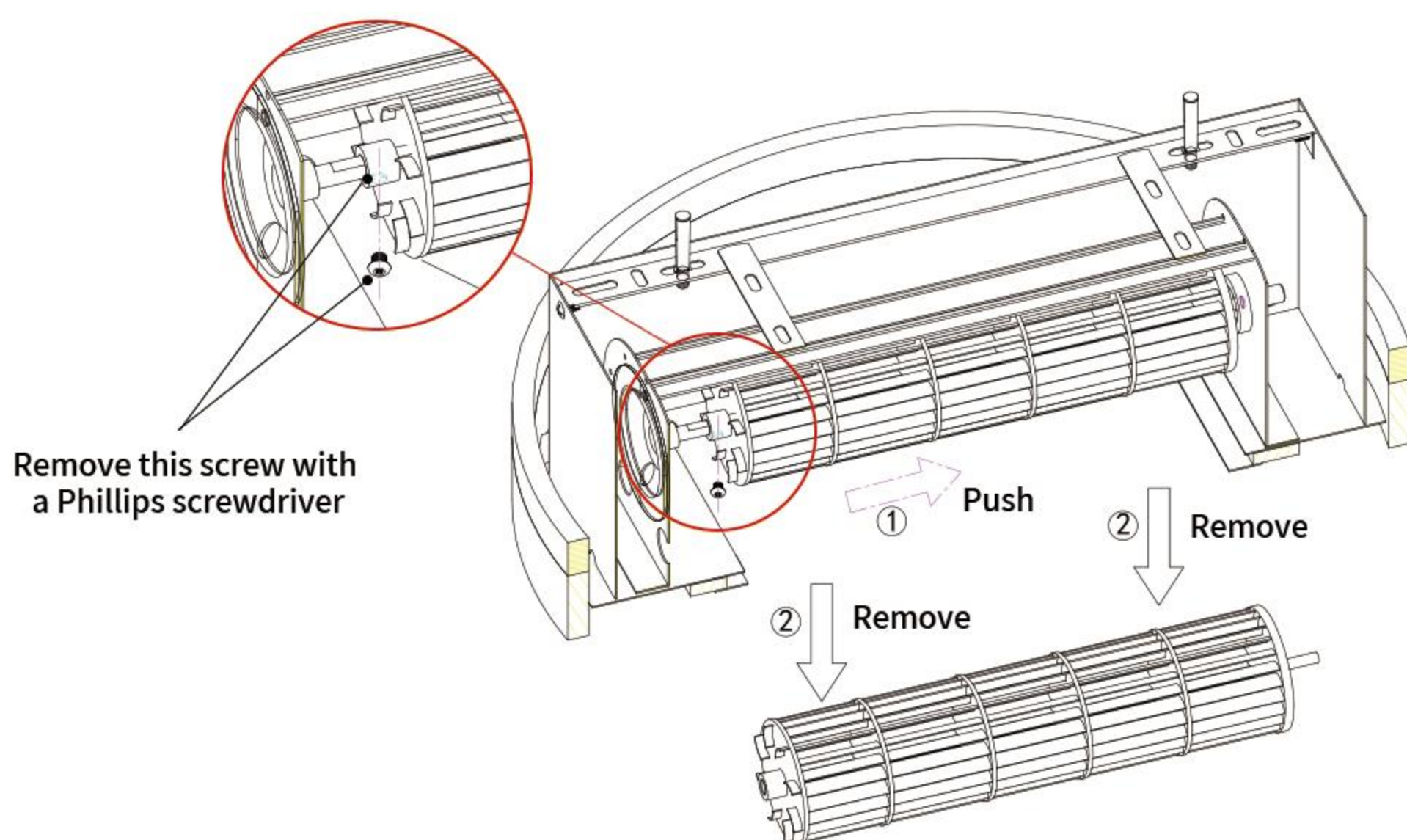
4. Disassembly and cleaning

4.1 First use a Phillips screwdriver to unscrew the 4 screws on both sides of the lamp body, and remove the swing blade frame.



(Note: The swing blade frame can be cleaned with a wet cloth)

4.2 Use a Phillips screwdriver to unscrew the screw holding the wind wheel, and push to the opposite side to remove the wind wheel and clean it.



(Note: The wind wheel can be rinsed with water after removal)



Note:

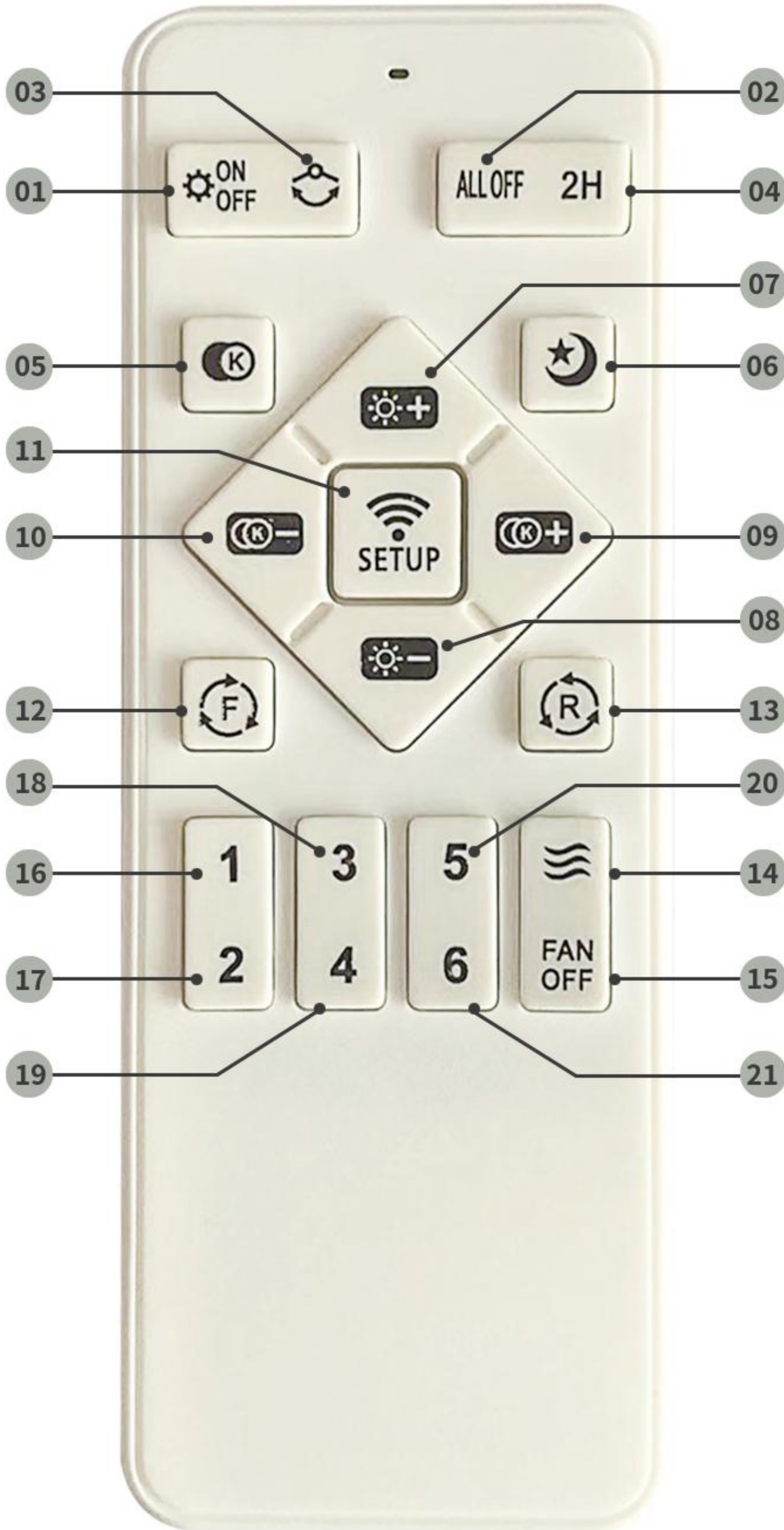
1. When disassembling the bladeless fan light, you need to turn off the power first!
2. After cleaning, you need to wait for the accessories to dry before installation

5. Remote control

5.1 Introduction to the Key Functions of the Remote Control



Scan to download APP control



- 01 Turn on light
- 02 Turn off light, fan
- 03 Swing blinds direction
- 04 Timing function 2 hours
- 05 Change color temperature
- 06 Night lamp
- 07 Increase brightness
- 08 Reduce brightness
- 09 Increase color temperature
- 10 Reduce color temperature
- 11 Long press: remote control pairing
- 12 Forward rotation
- 13 Reverse rotation
- 14 Natural wind mode
- 15 Stop fan
- 16 1 speed 1103RPM
- 17 2 speed 1250RPM
- 18 3 speed 1401RPM
- 19 4 speed 1600RPM
- 20 5 speed 1702RPM
- 21 6 speed 1800RPM

Remote control pairing

- 1: Turn on the wall power switch, press the "SETUP" key for 3 seconds until hearing a "Di" sound. After hearing the sound twice, the match was succesful.
- 2: If not matched, turn off the power and repeat the operation after one minute.
- 3: If the remote control does not work after a period of time, change the battery and try again.

What are the advantages of this product?

1. Detachable all-aluminum louver structure design, convenient and easy to disassemble and wash
2. 120 degree wide-angle air supply, simulating natural wind
3. Full copper frequency conversion motor, 6 gears of air volume arbitrary control
4. The shutters are fully closed to prevent mosquitoes from entering
5. ABS silent cross-flow wind wheel is more comfortable and easy to disassemble and wash.
6. Detachable design, no need for whole lamp maintenance!

6. Care and maintenance

6.1 About product maintenance

6.1.1 In order to use this product safely and efficiently, please clean the dust on the swing blade frame and wind wheel once a year, the method can be seen in the fourth item above for unloading and cleaning. If possible, lubricating grease can also be applied to each rotating part of the motor to reduce the abnormal noise caused by friction.

6.2 Questions and answers encountered during use

Q1: What should I do if the fan light does not start normally?

A: Check whether the fuse of the external power supply line of the fan light is blown and whether the automatic protection switch is tripped, resulting in a short circuit that cannot start the fan light. Check if the power supply voltage is much lower than the rated voltage of the fan lamp (Normal working voltage range AC220V±10%), and check whether the internal wiring of the fan lamp is wrong, loose or poorly contacted.

Q2: The fan light does not respond when using the remote control for the first time?

A: Please confirm whether the lamp is properly connected to the power supply and the wall switch is on, check whether the remote control has batteries. If the above is no problem, try pairing again the remote control long pressing the SETUP button in the middle of the remote control within 3 seconds of turning on the wall control switch. The code pairing is successful when you hear a beep.

Q3: You can hear the wind wheel functioning but the blade frame is closed or does not swing when pressing on the remote control?

A: Please check whether the plug terminals from the controller are connected normally, if they are loose, you can adjust it and try again.

Q4: The fan light is normal, the wind wheel is spinning but there is no wind coming out?

A: It is possible that the reverse function is pressed, you can press the "forward rotation" button on the remote control. The wind wheel will restart the forward rotation of the wind.

Q5: When turning on the wall control switch the light flashed but did not light up, and there was no response when pressing the remote control?

A: Check whether all the connection is normal, if there is still no response, there may be a problem with the controller, you can contact our customer service staff to replace the controller.

Q6: What should I do if the fan light makes noise?

A: Check whether the internal wires of the lamp body are leaning against the motor or wind wheel, ensure that the fan lamp has not been seriously hit before installation, ensure that the lamp body is installed tightly without loosening, ensure that the hanging plate and the lamp body are installed correctly. It is not recommended to install on wooden ceilings, steel structures or prefabricated panels, because this will amplify the sound.

Note: if the problem still persists after the above inspection, please contact the professional maintenance personnel of electrical appliances or call the dealer for maintenance.



Warning:

In order to prevent fire and electric shock accidents, please use electrical switches and wires that meet national safety standards, please turn off the power supply during maintenance or cleaning to avoid personal injury accidents!