

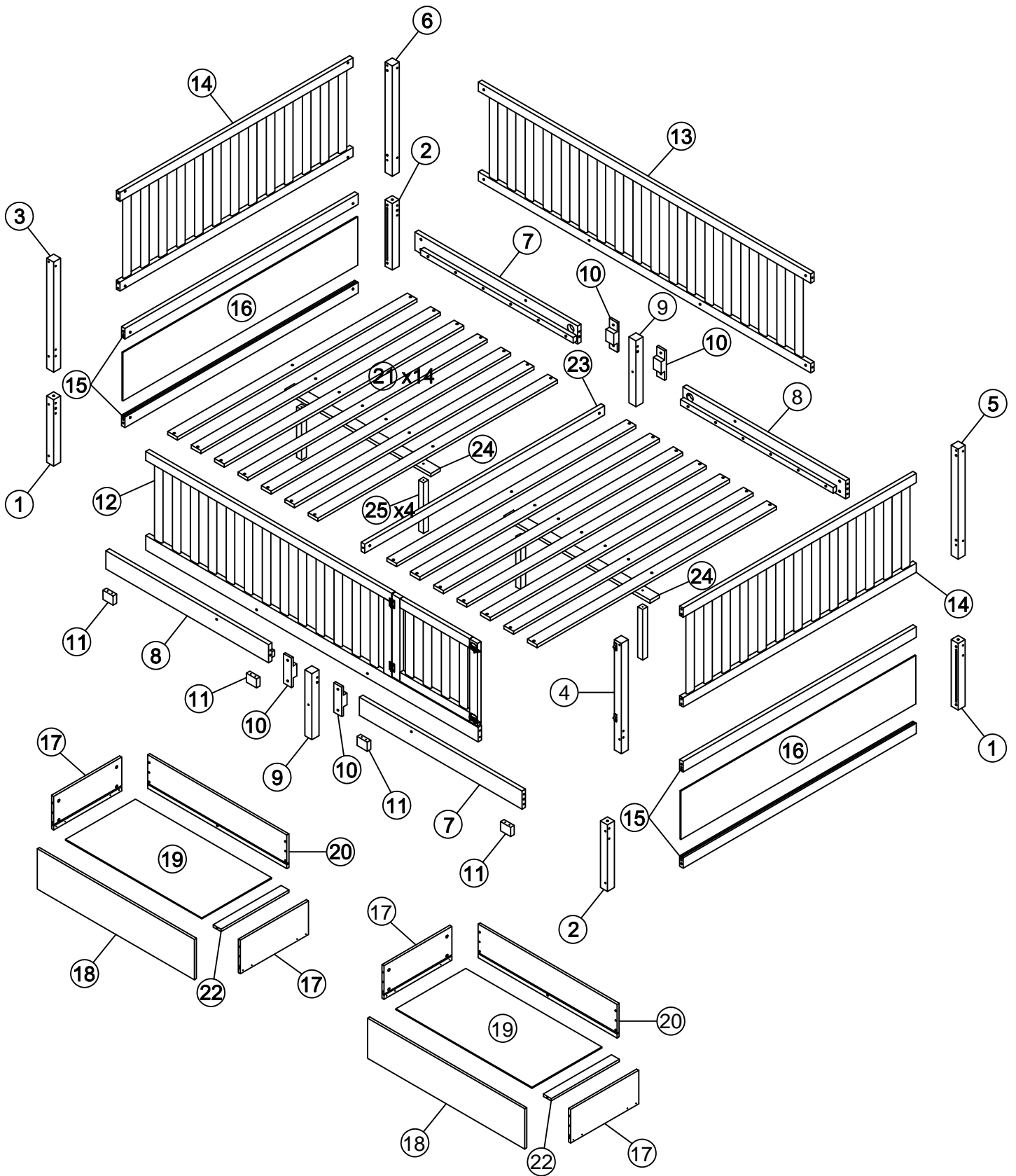
ASSEMBLY INSTRUCTIONS

FULL BED WITH 2 DRAWERS



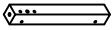
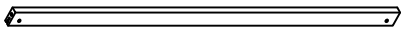
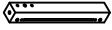
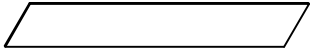
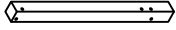

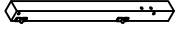

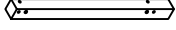

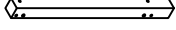


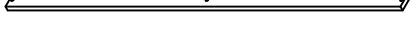
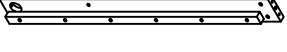
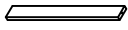
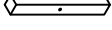
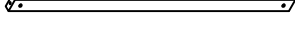
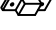
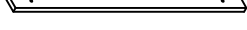

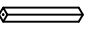
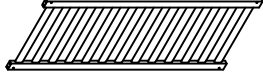
WF531306/WF531307

ASSEMBLY INSTRUCTIONS

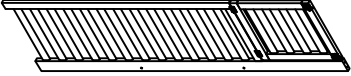
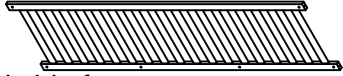


ASSEMBLY INSTRUCTIONS

WF531306 (Hardware in this SKU)










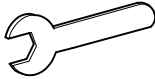





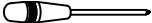
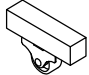
1	Leg		2pcs	15	Headboard panel		4pcs
2	Leg		2pcs	16	Headboard frames		2pcs
3	Leg		1pc	17	Side drawers panel		4pcs
4	Leg		1pc	18	Front drawers panel		2pcs
5	Leg		1pc	19	Bottom drawers panel		2pcs
6	Leg		1pc	20	Back drawers panel		2pcs
7	Side rails		2pcs	21	Slats		14pcs
8	Side rails		2pcs	22	Drawers support		2pcs
9	Leg		2pcs	23	Headboard panel		1pc
10	Support guard rails		4pcs	24	Center rails		2pcs
11	Drawers stopper		4pcs	25	Center rails support legs		4pcs
14	Headboard frames		2pcs				

WF531307

12	Front bed side frame		1pc	13	Back bed side frame		1pc
-----------	----------------------	---	-----	-----------	---------------------	---	-----

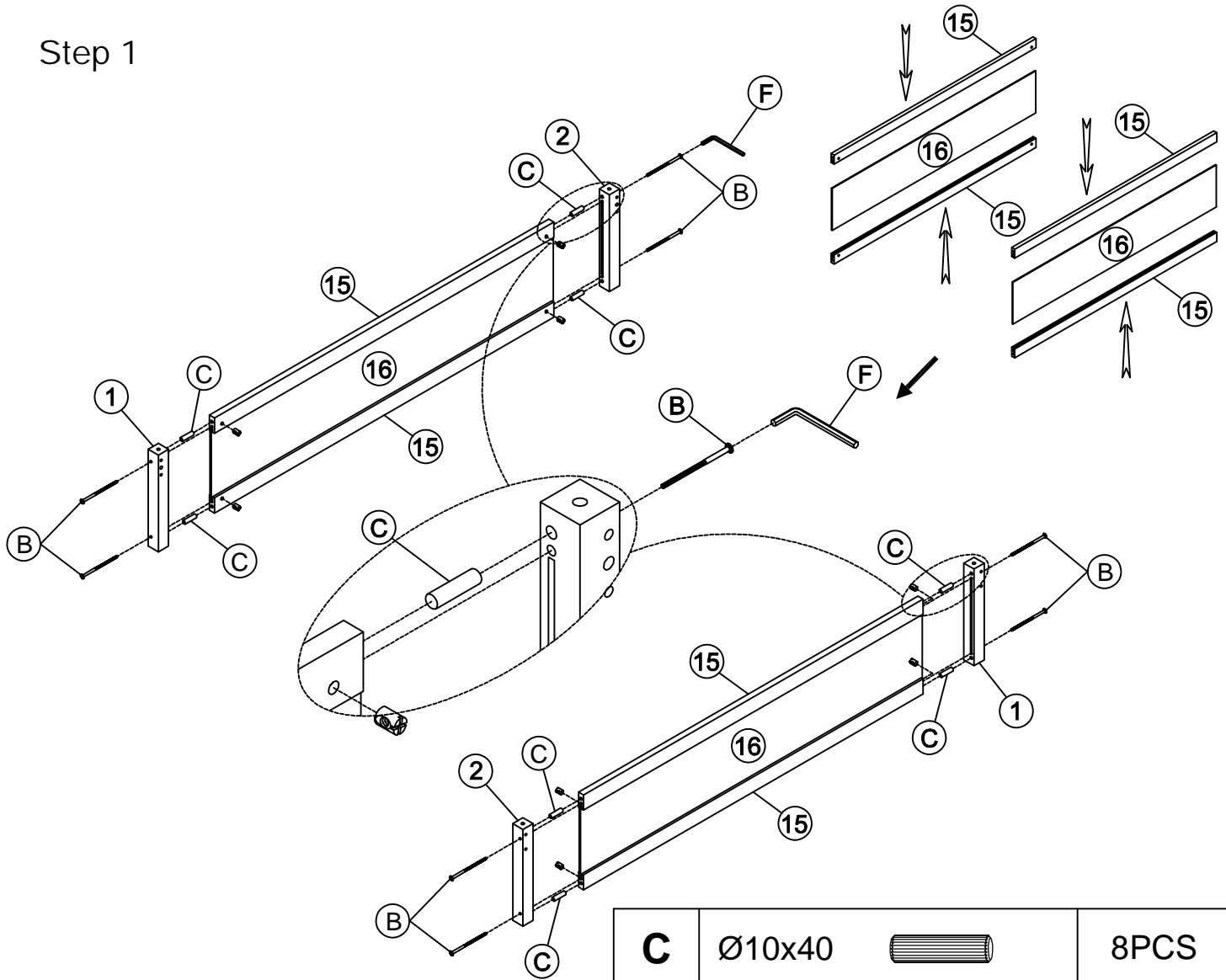
ASSEMBLY INSTRUCTIONS




WF531306 (Hardware in this SKU)

A	Ø4x30		66PCS		J	1/4x25		8PCS
B	1/4x90		35PCS		K	1/4x125		2PCS
C	Ø10x40		24PCS		L			4PCS
D	Ø10x30		4PCS		M			4PCS
E	Ø8x30		8PCS		N			2PCS
F	4x58		1PC		O	6.5x50		4PCS
G	Ø6.5x35		20PCS		P	1/4x25		4PCS
H	Ø12x10		20PCS			Phillip head screw Not include		
I			8PCS					

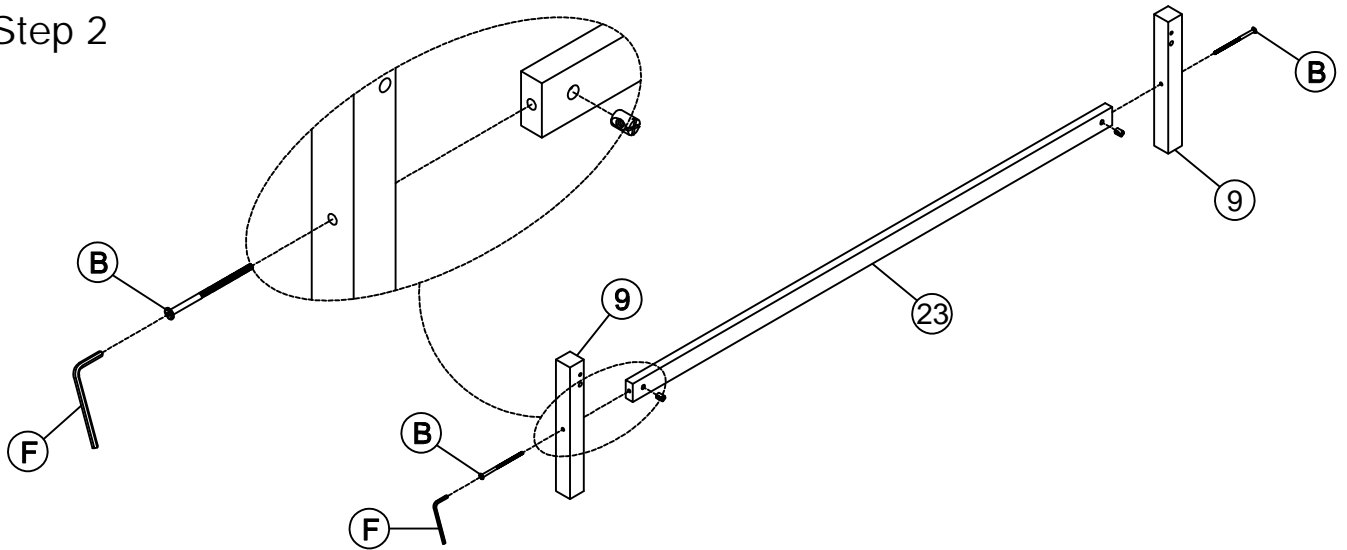
ASSEMBLY INSTRUCTIONS



Step 1



C	Ø10x40		8PCS
B	1/4x90		8PCS
F	4x58		1PC

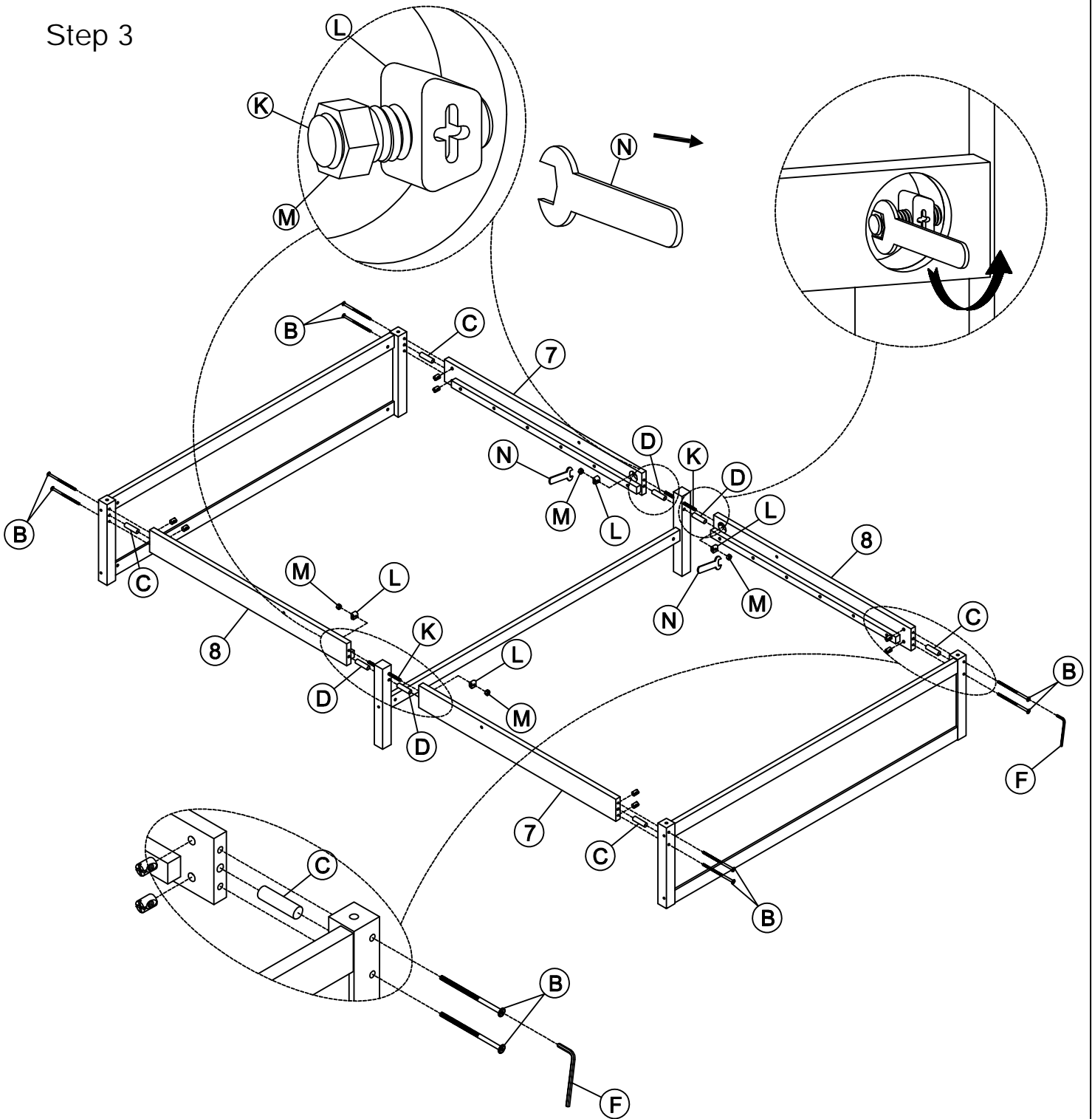
Step 2



B	1/4x90		2PCS
F	4x58		1PC

ASSEMBLY INSTRUCTIONS

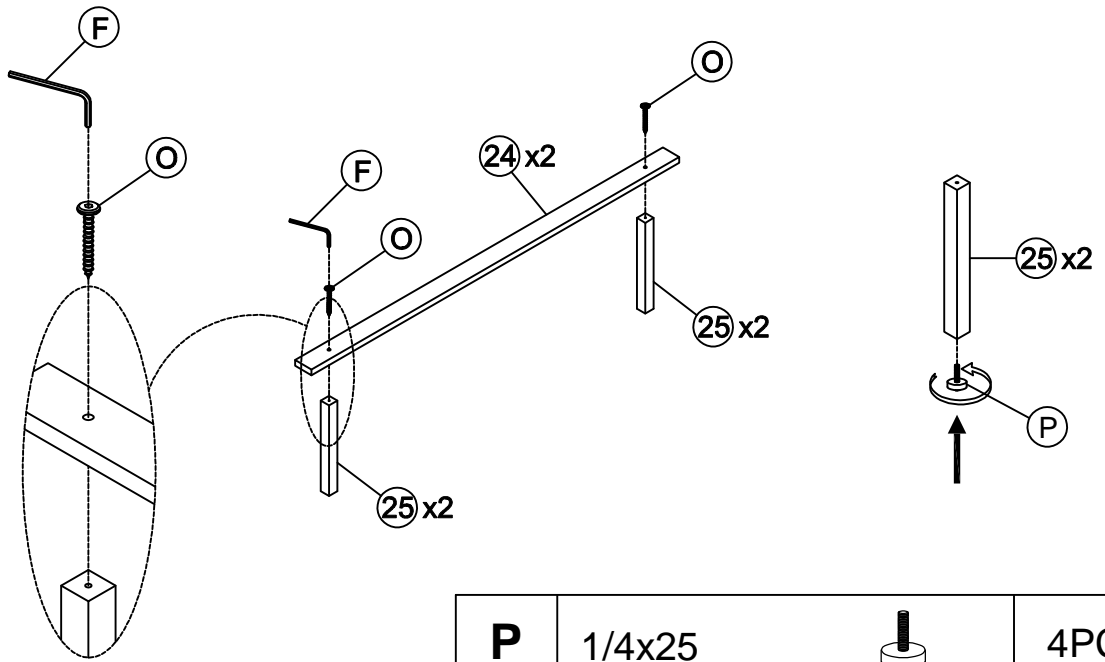
Step 3






K	1/4x125		2PCS	D	Ø10x30		4PCS
C	Ø10x40		4PCS	L			4PCS
B	1/4x90		8PCS	M			4PCS
F	4x58		1PC	N			2PCS

ASSEMBLY INSTRUCTIONS

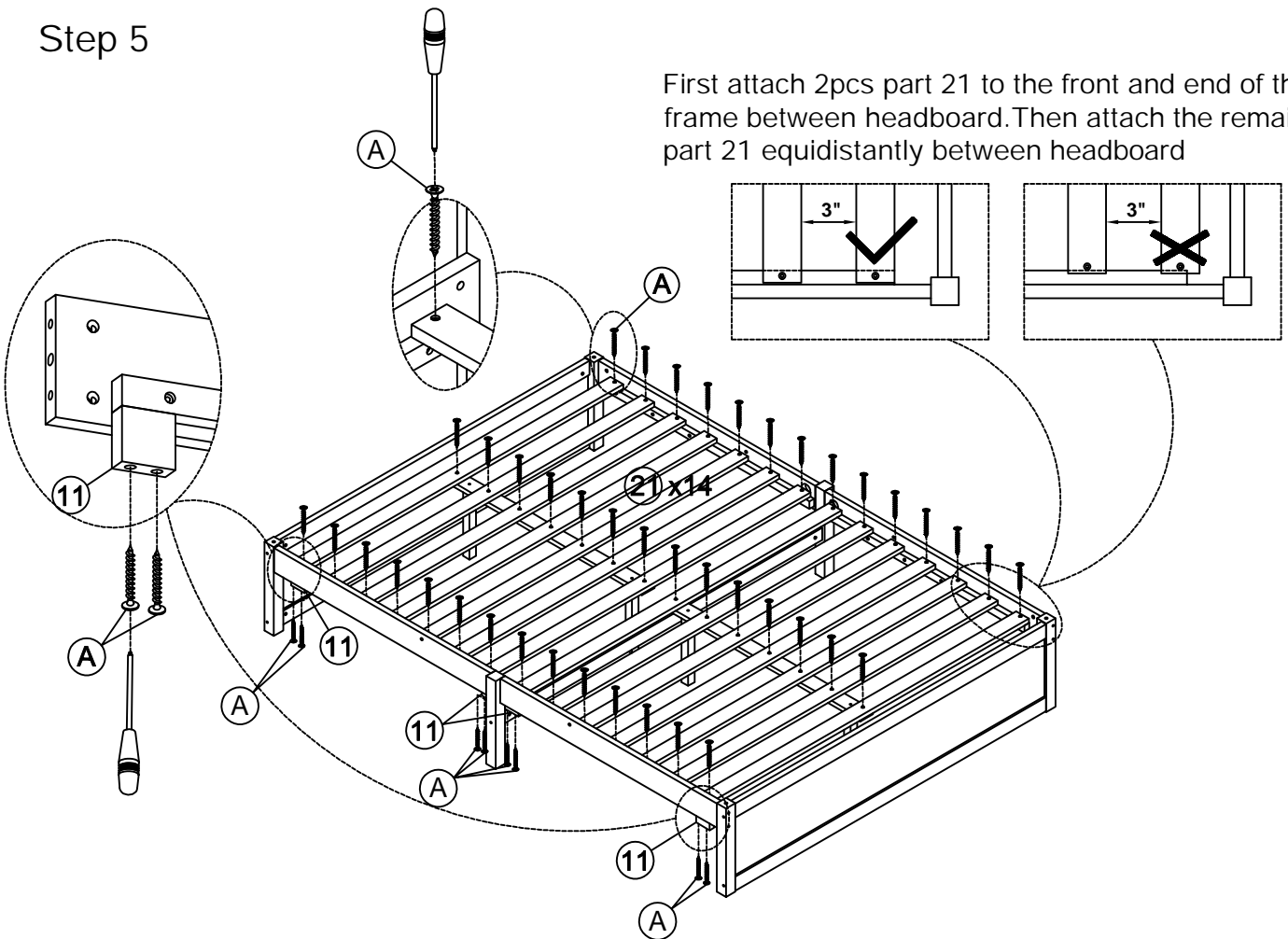
Step 4




				P	1/4x25		4PCS
O	6.5x50		4PCS	F	4x58		1PC

Step 5

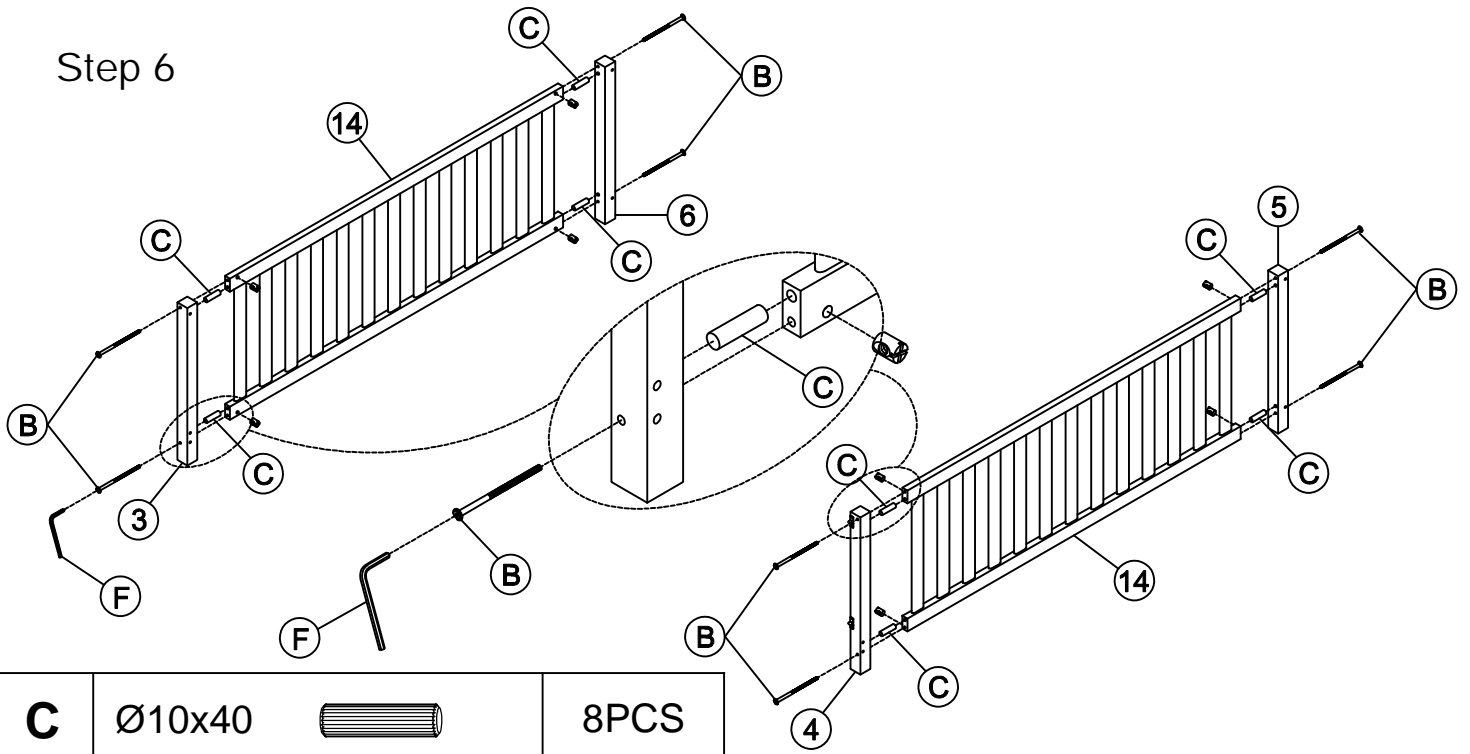
First attach 2pcs part 21 to the front and end of the frame between headboard. Then attach the remaining part 21 equidistantly between headboard






A	Ø4x30		50PCS
----------	-------	---	-------

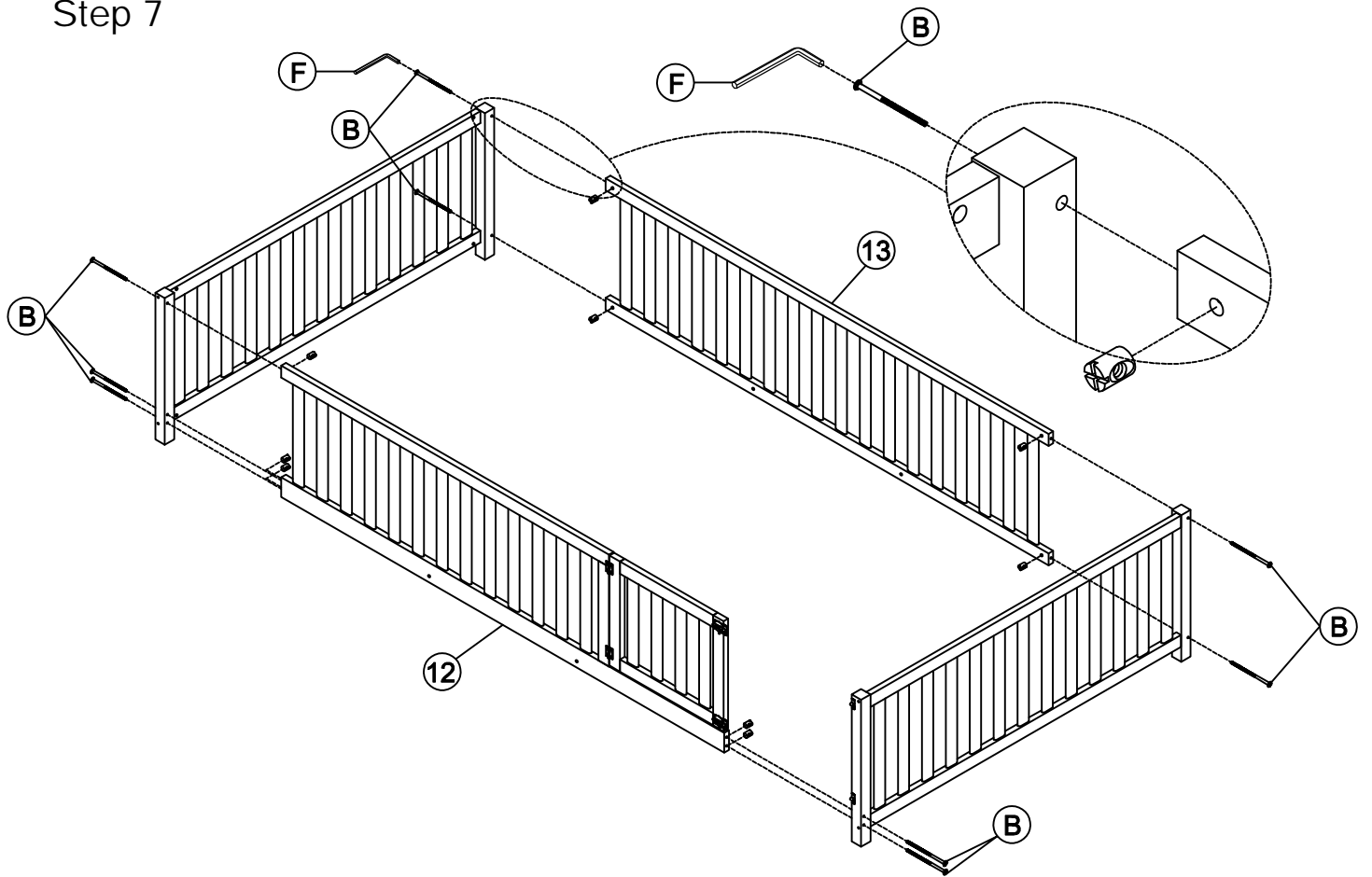
ASSEMBLY INSTRUCTIONS



Step 6



C	Ø10x40		8PCS				
B	1/4x90		8PCS	F	4x58		1PC

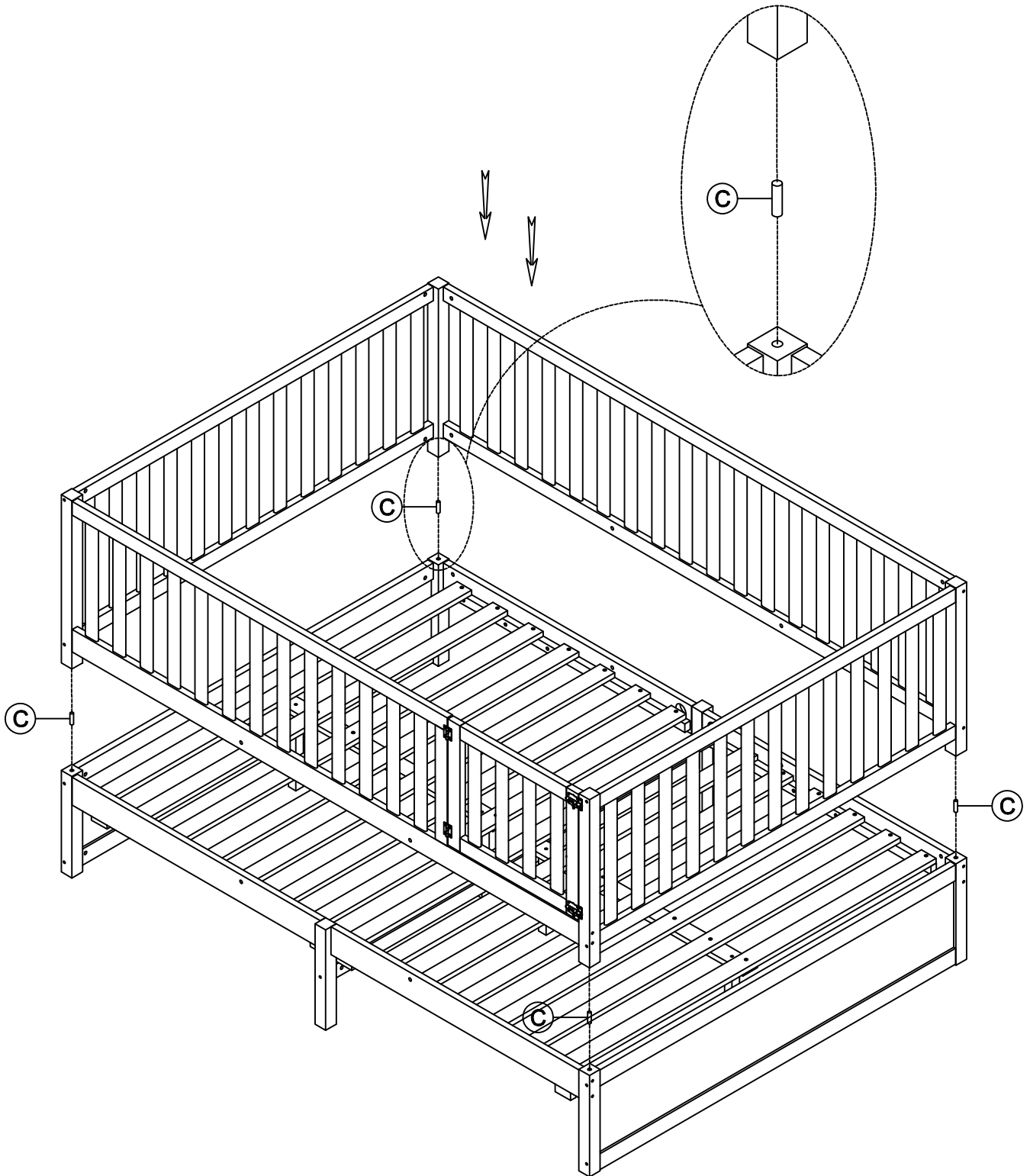
Step 7



B	1/4x90		9PCS	F	4x58		1PC
----------	--------	---	------	----------	------	---	-----

ASSEMBLY INSTRUCTIONS

Step 8



C

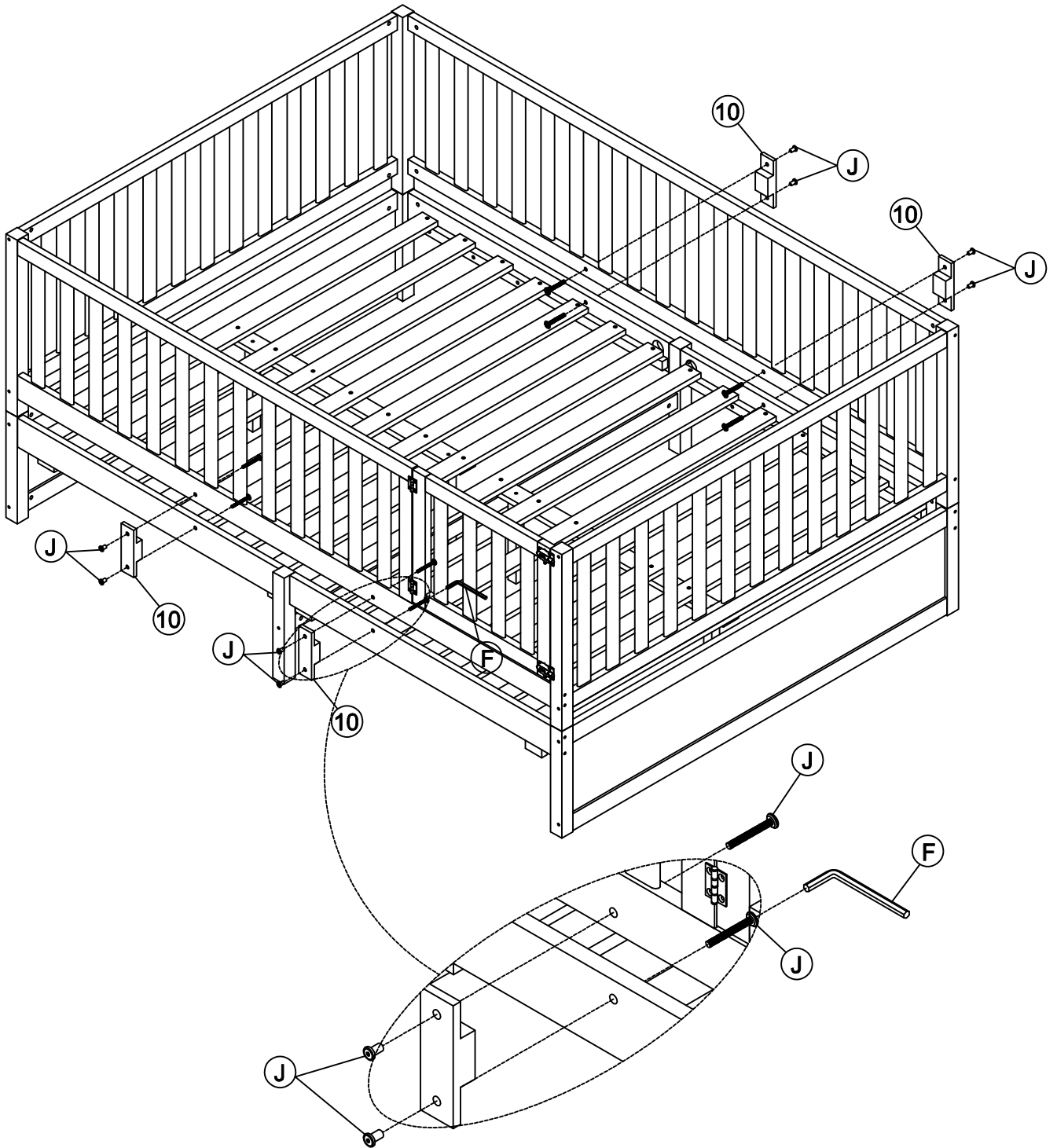
Ø10x40



4PCS

ASSEMBLY INSTRUCTIONS

Step 9



J 1/4x25



8PCS

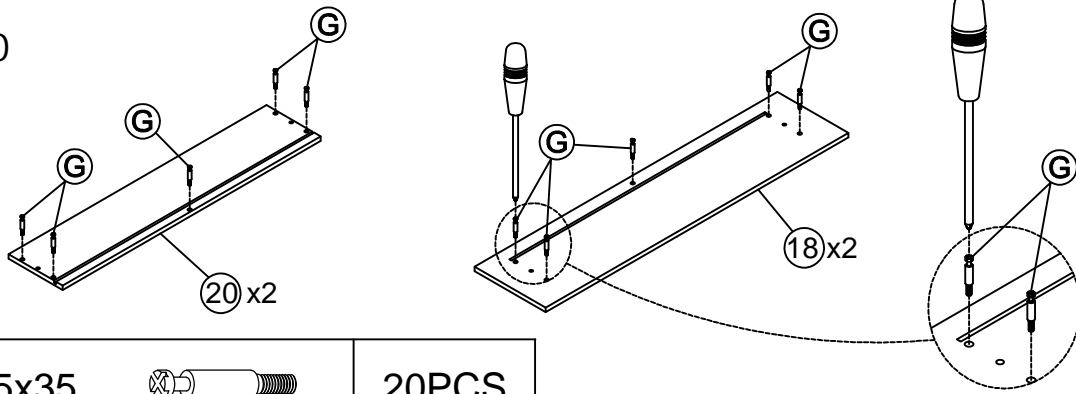
F 4x58



1PC

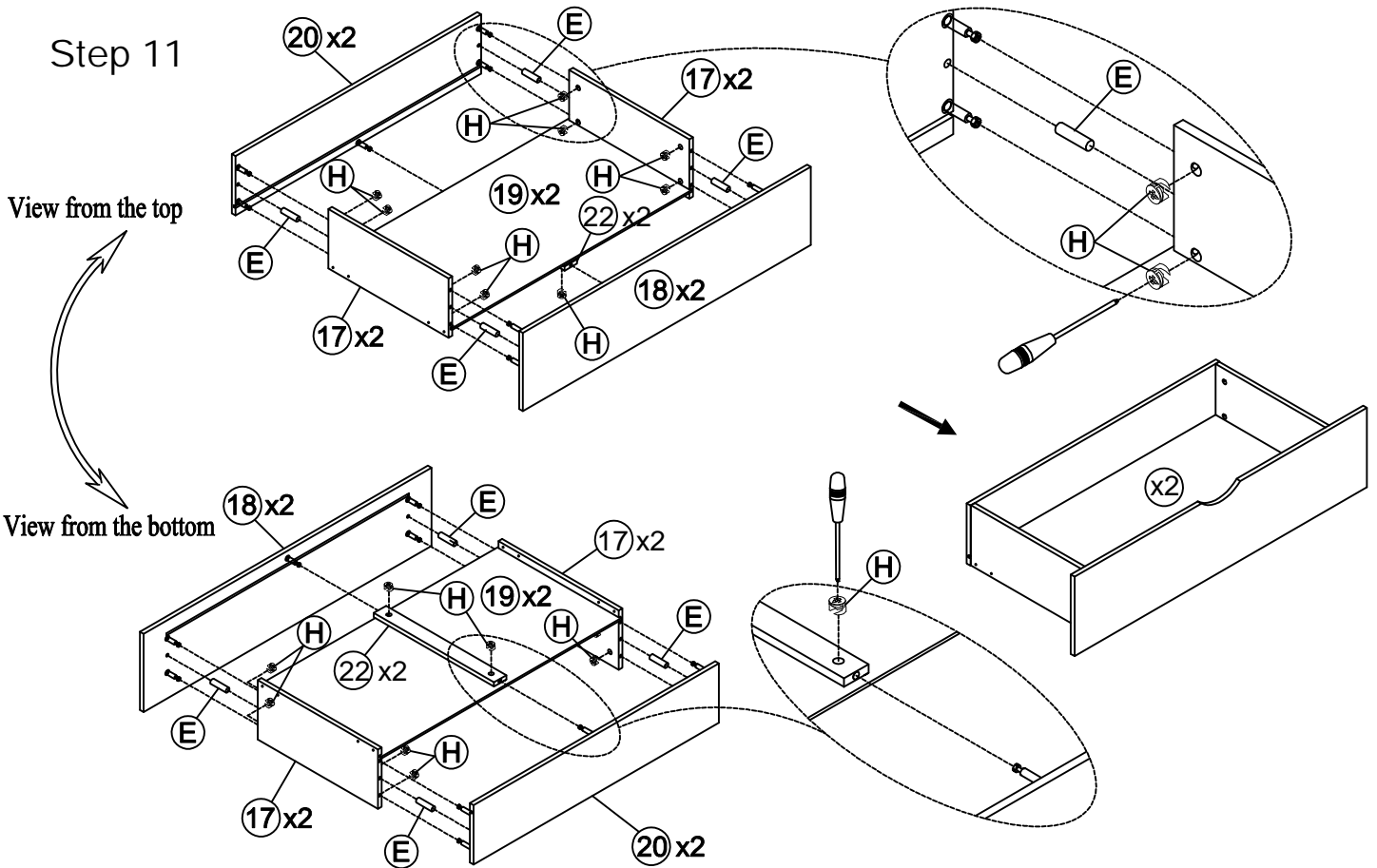
ASSEMBLY INSTRUCTIONS



Step 10



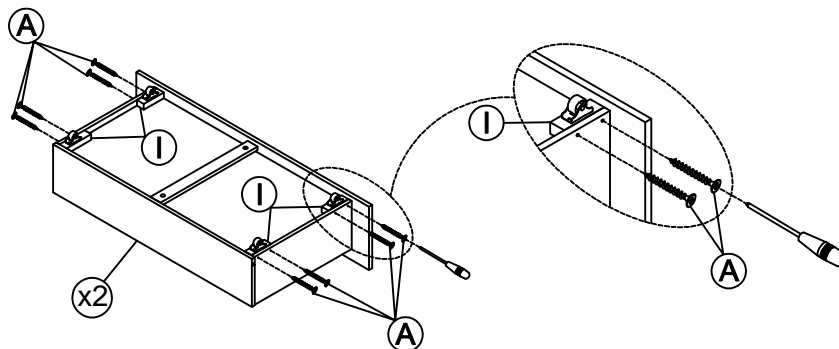
G	Ø6.5x35		20PCS
----------	---------	---	-------



Step 11



E	Ø8x30		8PCS	H	Ø12x10		20PCS
----------	-------	---	------	----------	--------	---	-------

Step 12



A	Ø4x30		16PCS	I		8PCS
----------	-------	---	-------	----------	---	------

ASSEMBLY INSTRUCTIONS

Step 13

