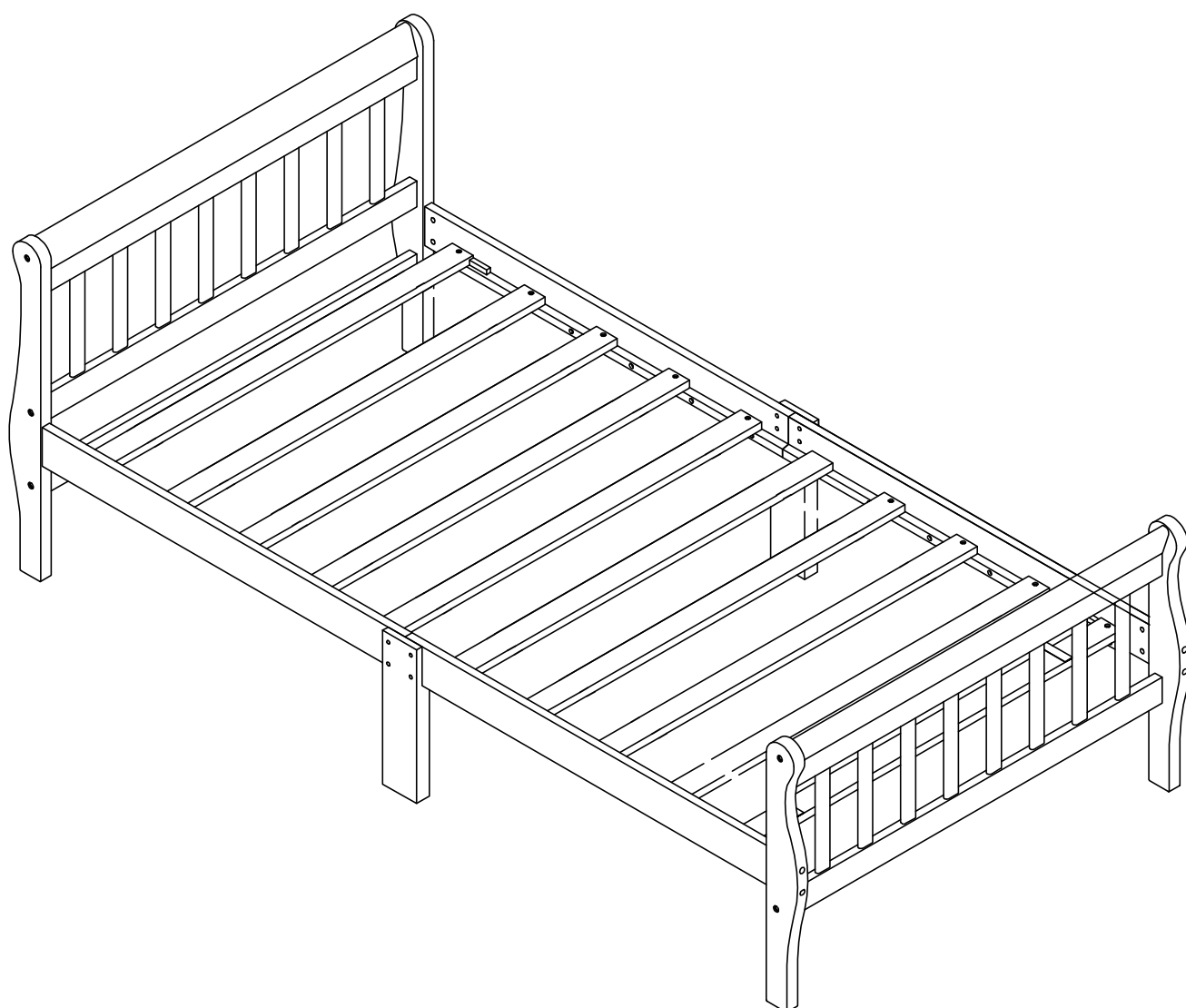


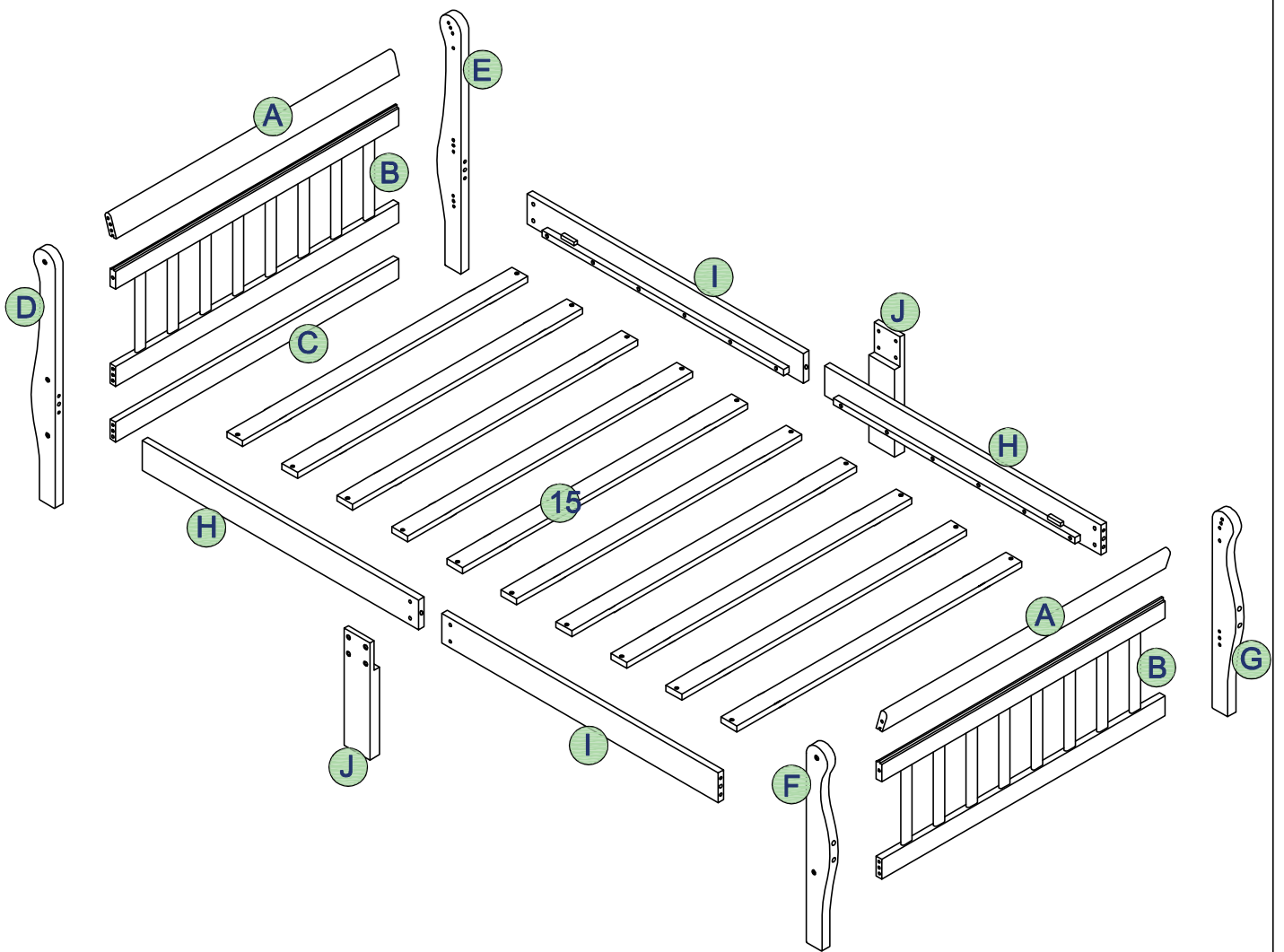
ASSEMBLY INSTRUCTIONS

TWIN BED

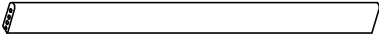
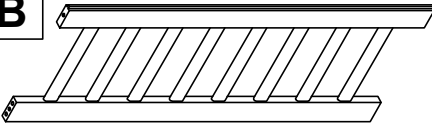
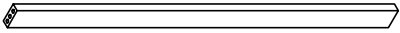

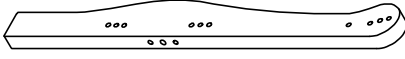
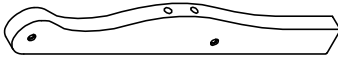
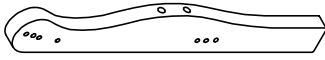
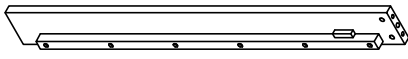
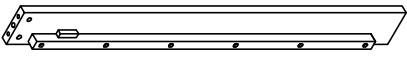

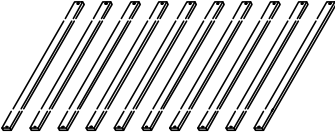


WF192434AAK
WF192434AAL
WF192434AAP





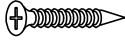


Detail View



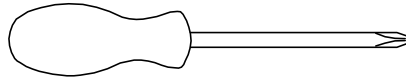
Part List

A 	B 	C 
Cap for HB & FB - 2pcs	HB & FB - 2pcs	Horizontal bar - 1pc
D 	E 	F 
Leg headboard(Left) - 1pc	Leg headboard(Right) - 1pc	Leg footboard(Right) - 1pc
G 	H 	I 
Leg footboard(Left) - 1pc	Side rail left & right - 2pcs	Side rail left & right - 2pcs
J 	15 	
Side rail support - 2pcs	Slat - 1set (10pcs)	

Hardware List

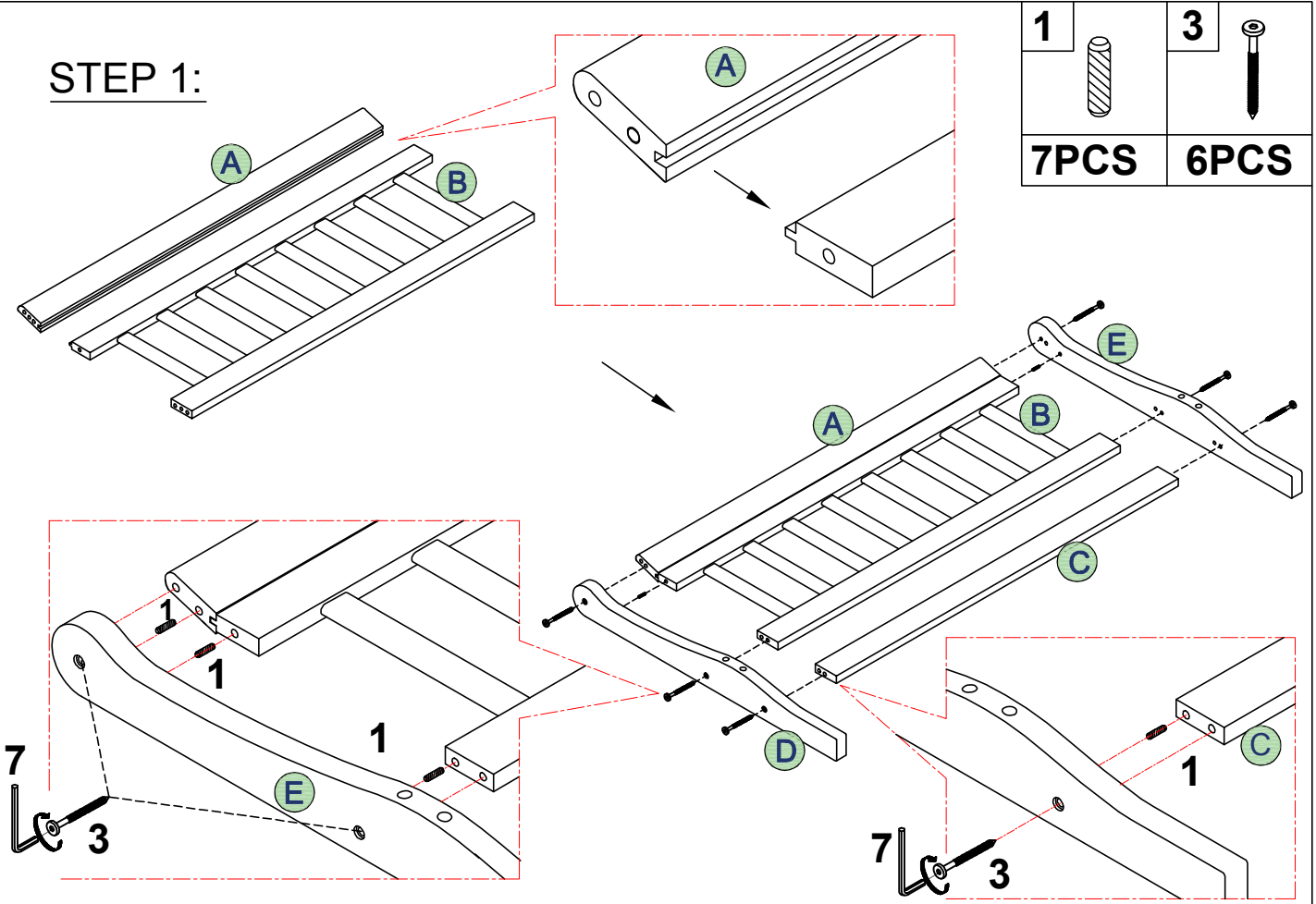
1  Ø10*30mm Wood dowel (20pcs)	2  (Ø15)1/4"*100mm Hex-Head bolts (8pcs)	3  (Ø15)1/4"*80mm Hex-Head bolts (10pcs)
4  (Ø12)1/4"*25mm Hex-Head bolts (8pcs)	5  #4*30mm Wood screws (20pcs)	6  Ø1/4"*15 (9.5mm) Horizontal-Hole bolts(8pcs)
7  (1/4")4.5*58mm Allen key (1pc)		

ASSEMBLY TOOLS REQUIRED (NOT INCLUDED)

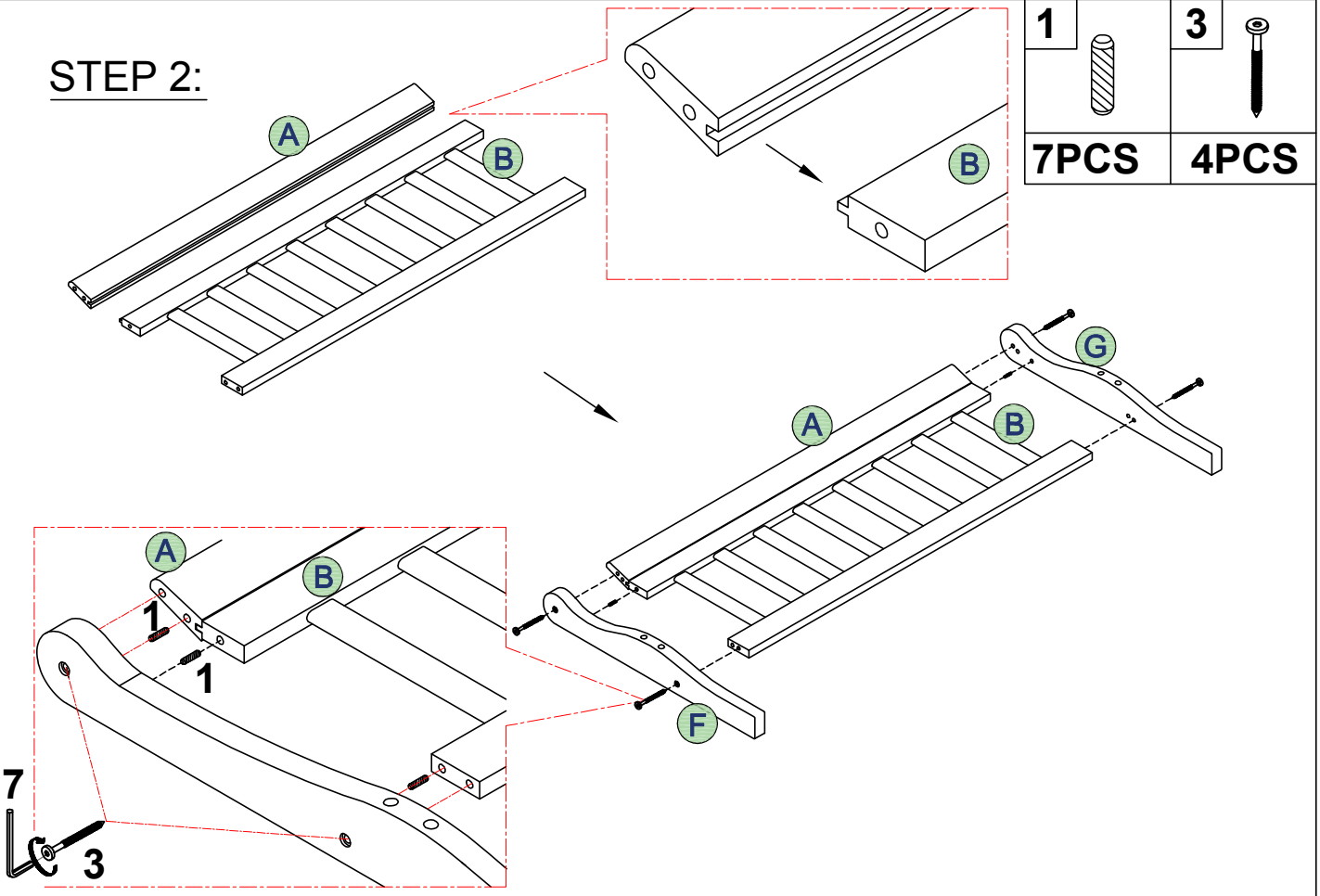


PLEASE BE CAREFUL DO NOT DAMAGE THE HOLE POSITION WHEN YOU USE POWER TOOLS !

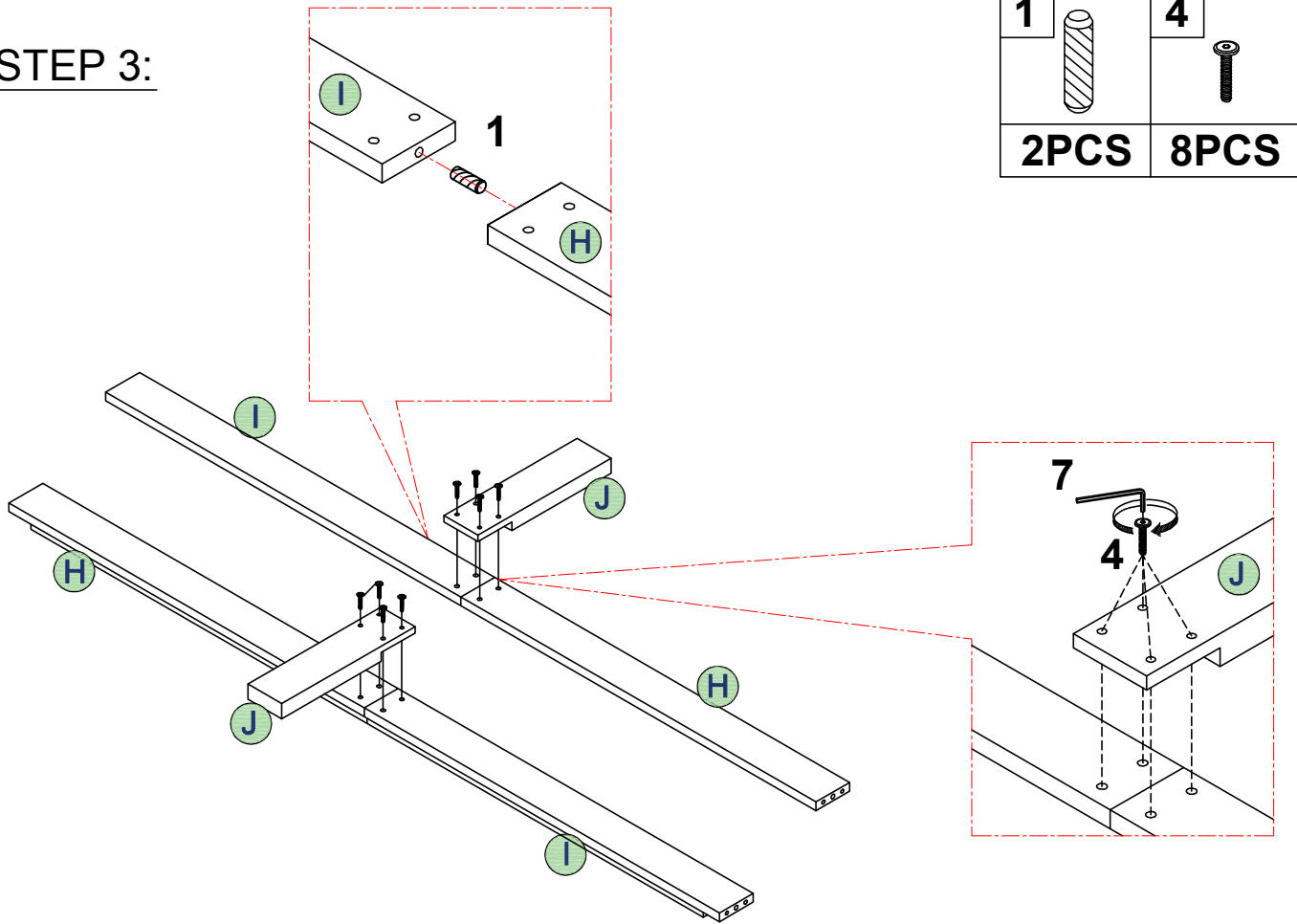
STEP 1:



STEP 2:

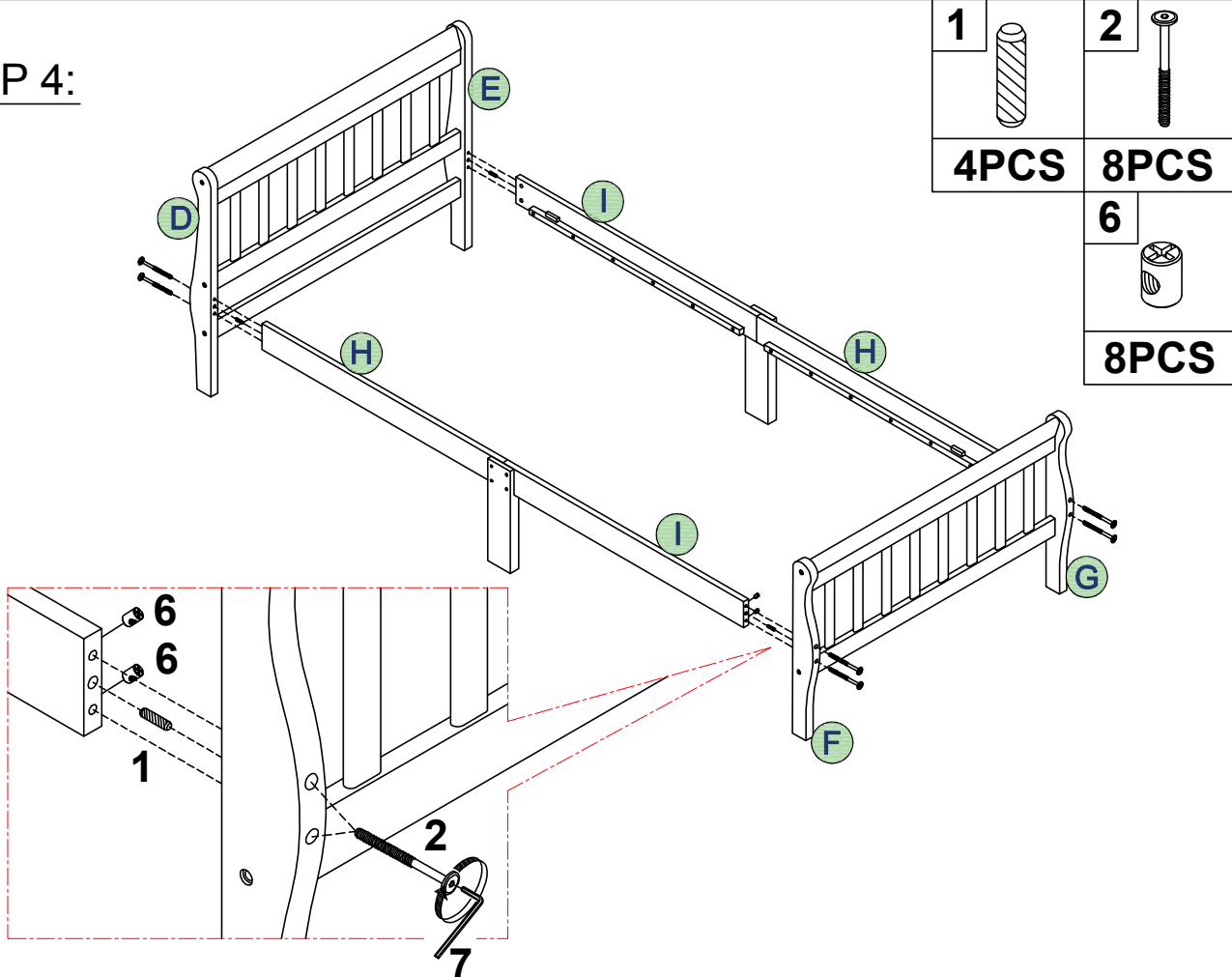


STEP 3:



1		4	
2PCS		8PCS	

STEP 4:



1		2	
4PCS		8PCS	
		6	
8PCS			

STEP 5:

5



20PCS

