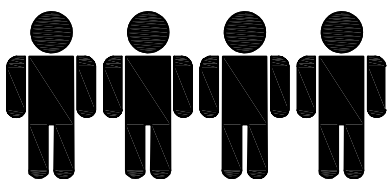
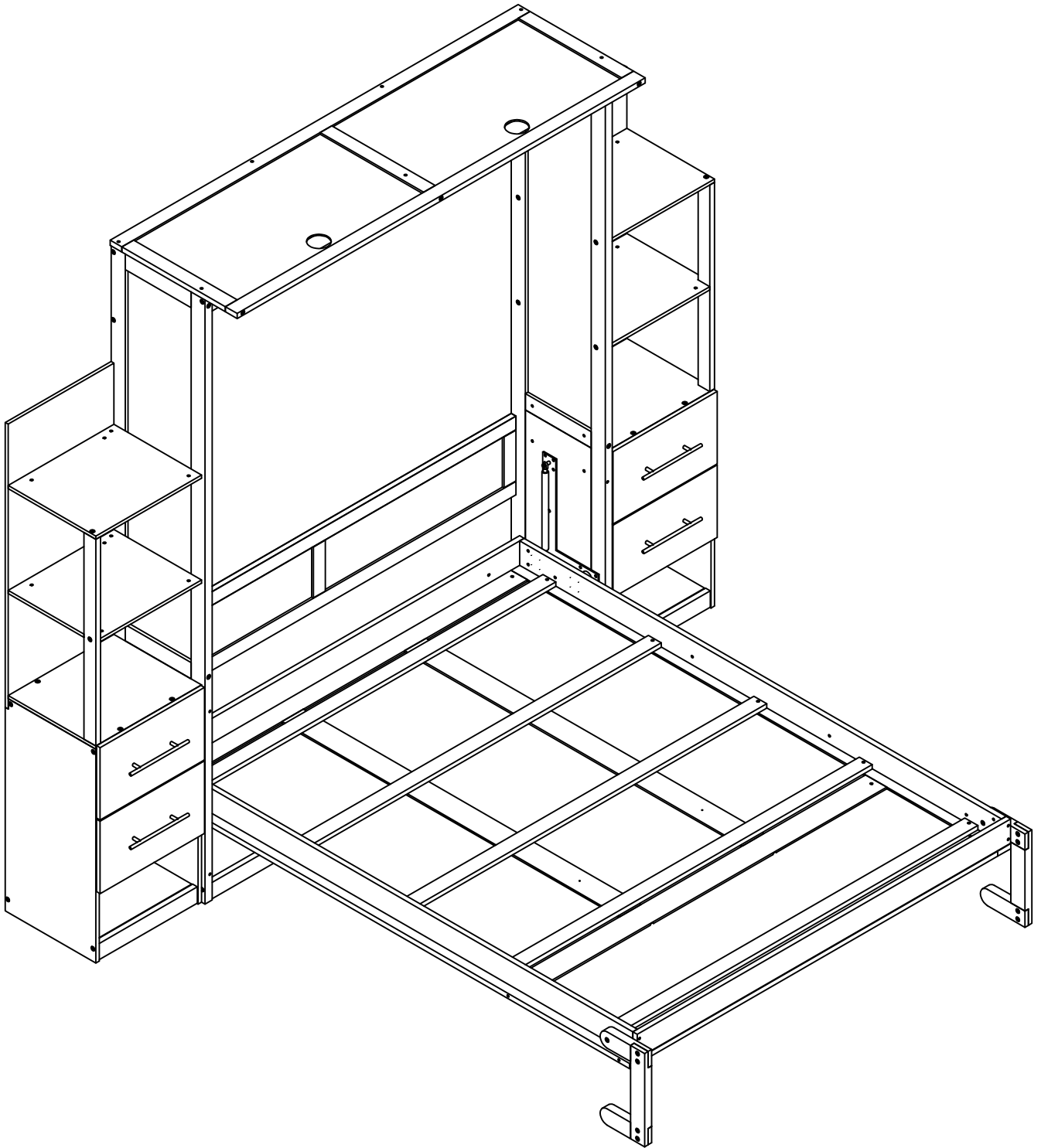
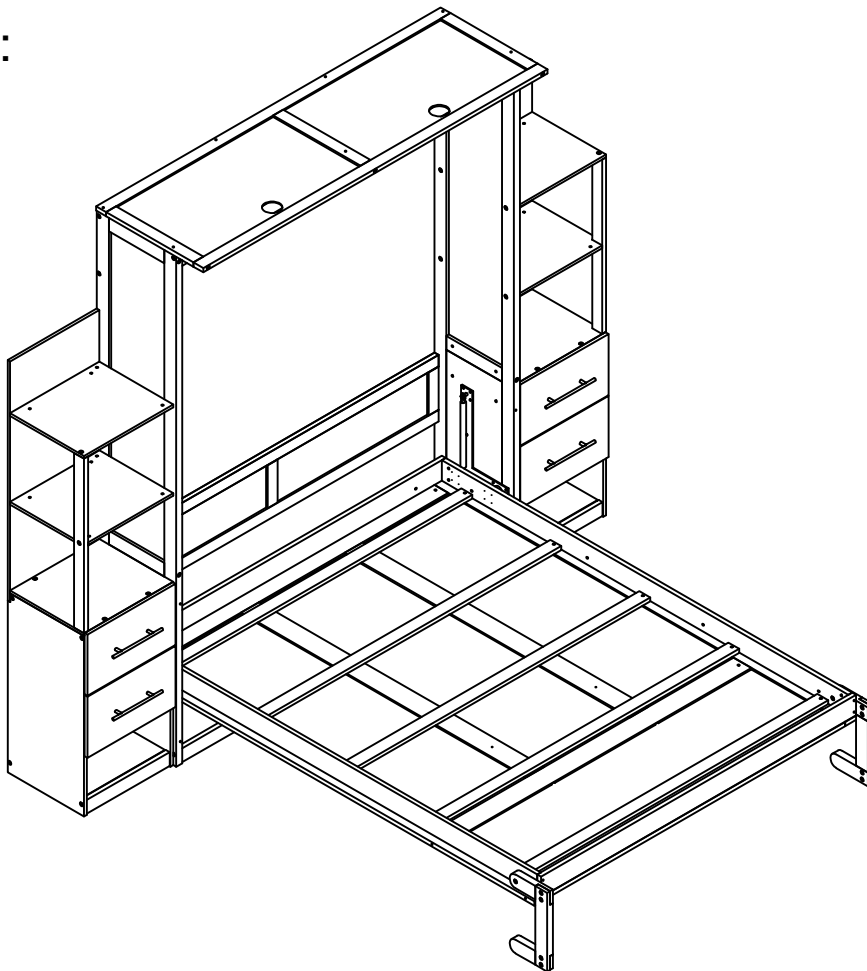


ASSEMBLY INSTRUCTION
SKU CODE: (WF315539-WF315540-WF315541)

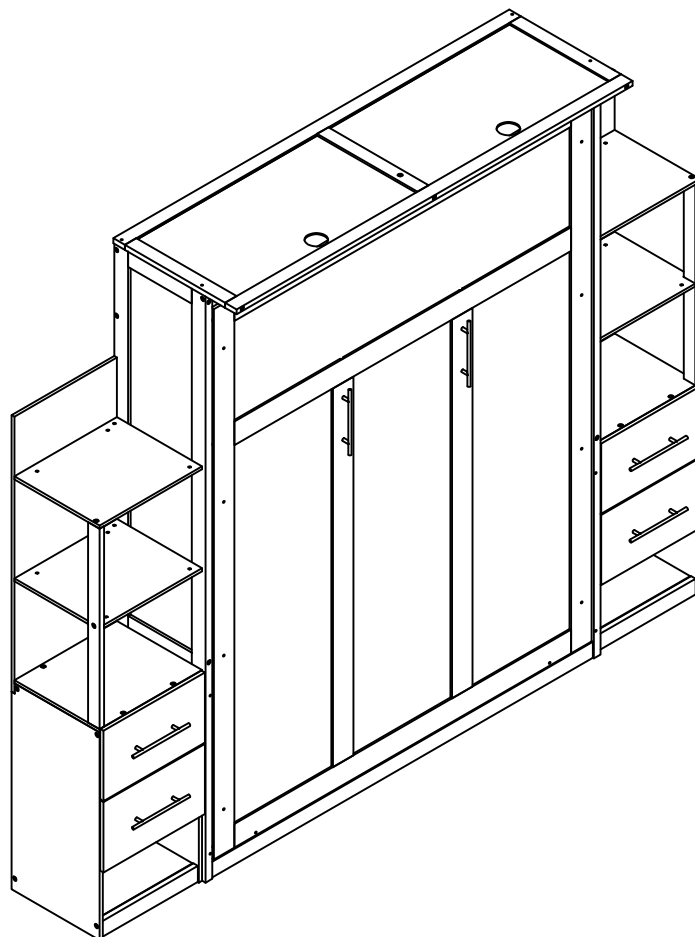


Four people are required to assemble and move this model.

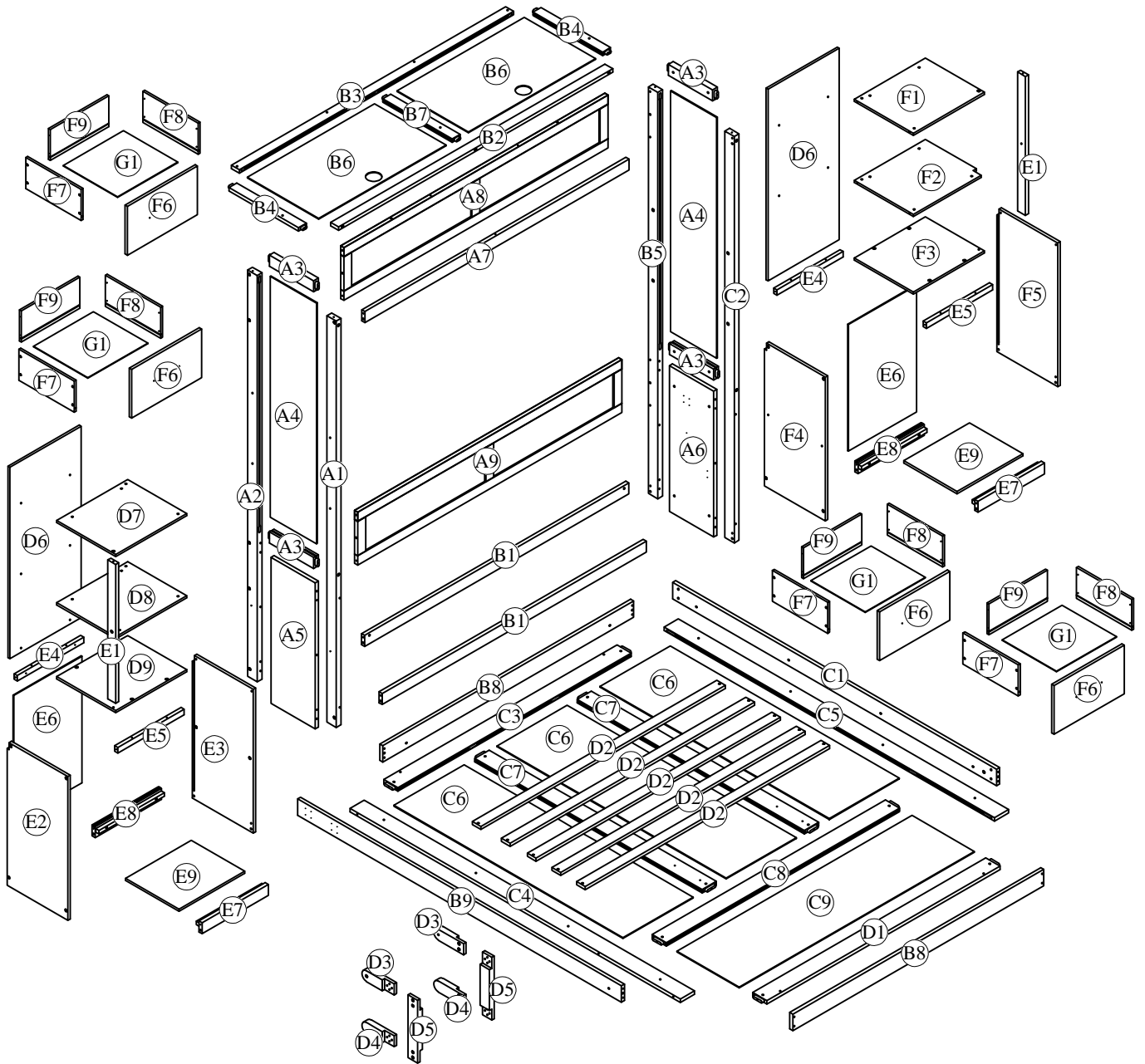
OPTION 1:



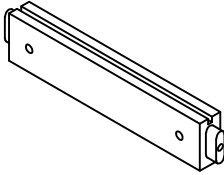

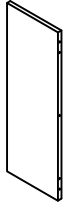

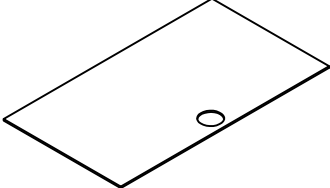
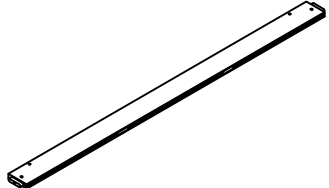
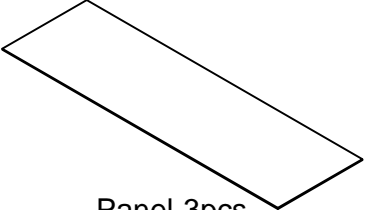
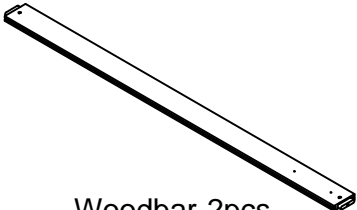
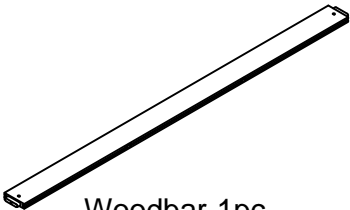
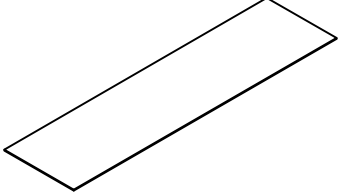
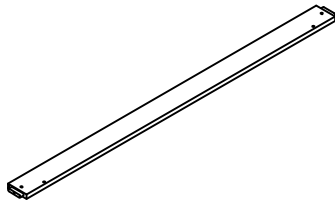


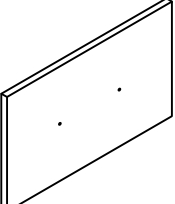
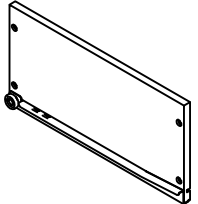
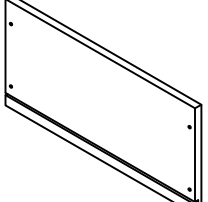
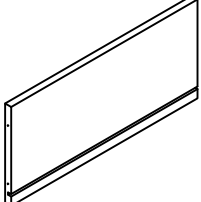
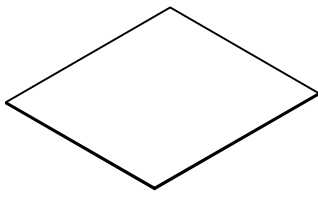
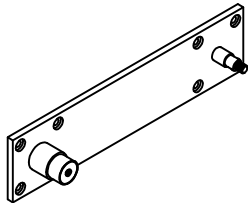
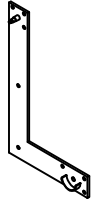
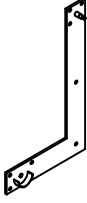
OPTION 2:





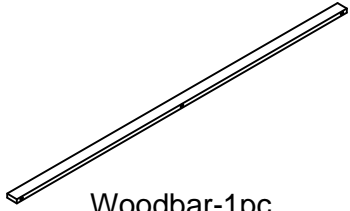
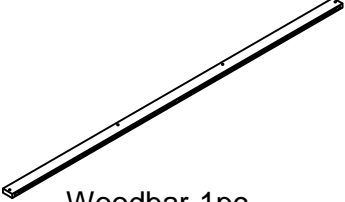
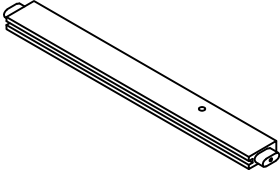

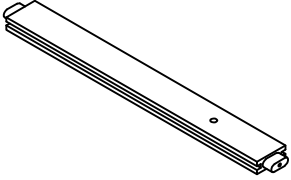
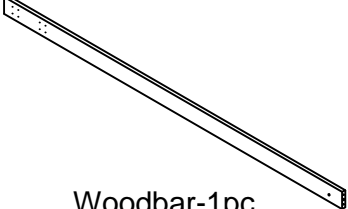
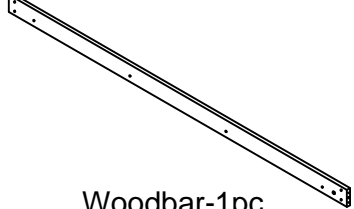

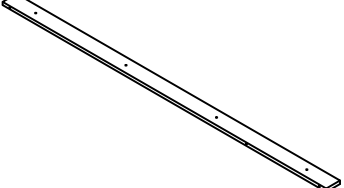
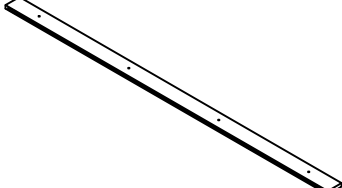
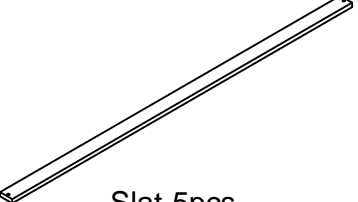
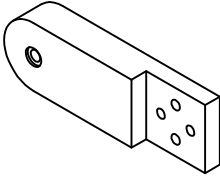
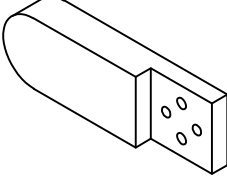
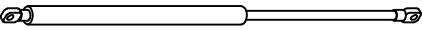
ASSEMBLY INSTRUCTION



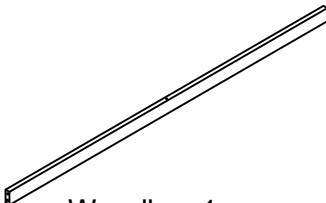
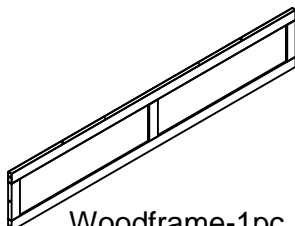
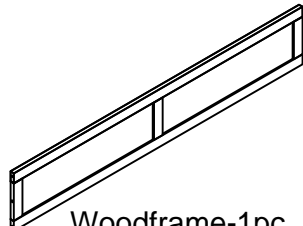


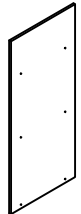
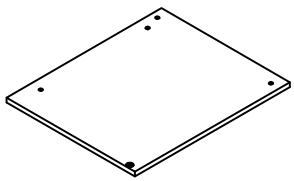
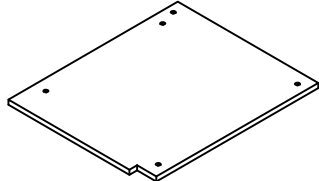
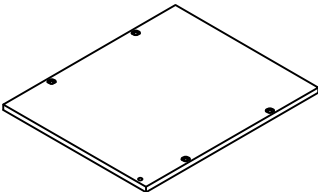

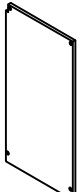

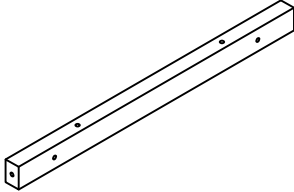
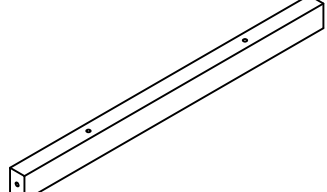
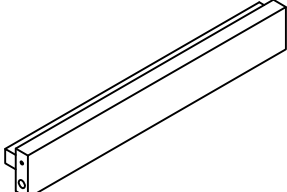
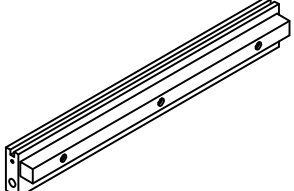
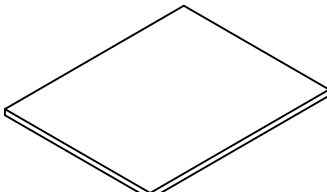
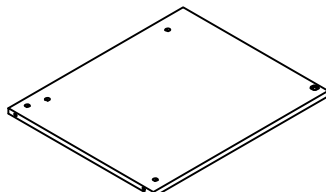
Part List & Hardware List (Box 1-WF315539)

<p>A3</p>  <p>Woodbar-4pcs</p>	<p>A4</p>  <p>Panel-2pcs</p>	<p>A5</p>  <p>Panel-1pc</p>
<p>A6</p>  <p>Panel-1pc</p>	<p>B6</p>  <p>Panel-2pcs</p>	<p>C3</p>  <p>Woodbar-1pc</p>
<p>C6</p>  <p>Panel-3pcs</p>	<p>C7</p>  <p>Woodbar-2pcs</p>	<p>C8</p>  <p>Woodbar-1pc</p>
<p>C9</p>  <p>Panel-1pc</p>	<p>D1</p>  <p>Woodbar-1pc</p>	<p>D5</p>  <p>Woodleg-2pcs</p>
<p>E6</p>  <p>Panel-2pcs</p>	<p>F6</p>  <p>Panel-4pcs</p>	<p>F7</p>  <p>Panel-4pcs</p>
<p>F8</p>  <p>Panel-4pcs</p>	<p>F9</p>  <p>Panel-4pcs</p>	<p>G1</p>  <p>Panel-4pcs</p>
<p>G2</p>  <p>Metal corner link-2pcs</p>	<p>G3</p>  <p>Metal corner link-1pc</p>	<p>G4</p>  <p>Metal corner link-1pc</p>

Part List (Box 2-WF315540)

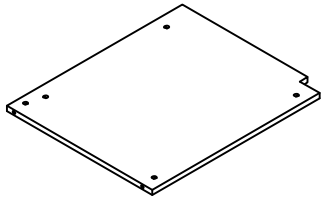
<p>A1</p>  <p>Woodleg-1pc</p>	<p>A2</p>  <p>Woodleg-1pc</p>	<p>B2</p>  <p>Woodbar-1pc</p>
<p>B3</p>  <p>Woodbar-1pc</p>	<p>B4</p>  <p>Woodbar-2pcs</p>	<p>B5</p>  <p>Woodleg-1pc</p>
<p>B7</p>  <p>Woodbar-1pc</p>	<p>B9</p>  <p>Woodbar-1pc</p>	<p>C1</p>  <p>Woodbar-1pc</p>
<p>C2</p>  <p>Woodleg-1pc</p>	<p>C4</p>  <p>Woodbar-1pc</p>	<p>C5</p>  <p>Woodbar-1pc</p>
<p>D2</p>  <p>Slat-5pcs</p>	<p>D3</p>  <p>Woodleg-2pcs</p>	<p>D4</p>  <p>Woodleg-2pcs</p>
<p>G5</p>  <p>1100N</p> <p>Piston Steam-2pcs</p>		

Part List (Box 3-WF315541)

<p>A7</p>  <p>Woodbar-1pc</p>	<p>A8</p>  <p>Woodframe-1pc</p>	<p>A9</p>  <p>Woodframe-1pc</p>
<p>B1</p>  <p>Woodbar-2pcs</p>	<p>B8</p>  <p>Woodbar-2pcs</p>	<p>D6</p>  <p>Panel-2pcs</p>
<p>D7</p>  <p>Panel-1pc</p>	<p>D8</p>  <p>Panel-1pc</p>	<p>D9</p>  <p>Panel-1pc</p>
<p>E1</p>  <p>Woodbar-2pcs</p>	<p>E2</p>  <p>Panel-1pc</p>	<p>E3</p>  <p>Panel-1pc</p>
<p>E4</p>  <p>Woodbar-2pcs</p>	<p>E5</p>  <p>Woodbar-2pcs</p>	<p>E7</p>  <p>Woodbar-2pcs</p>
<p>E8</p>  <p>Woodbar-2pcs</p>	<p>E9</p>  <p>Panel-2pcs</p>	<p>F1</p>  <p>Panel-1pc</p>

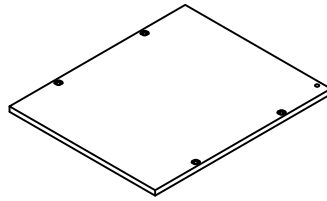
Part List (Box 3-WF315541)

F2



Panel-1pc

F3



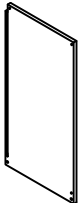
Panel-1pc

F4



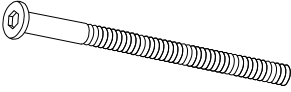

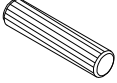
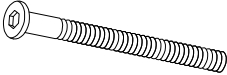
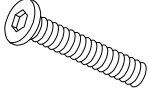
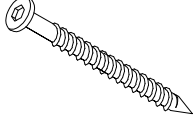
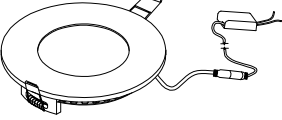
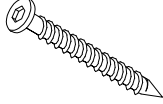
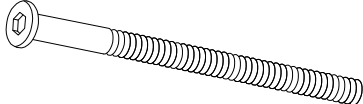
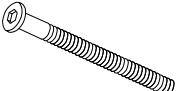
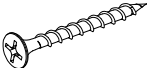
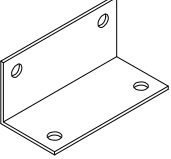
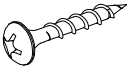
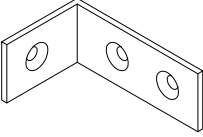
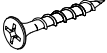
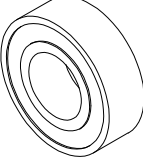


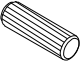
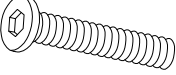

Panel-1pc

F5

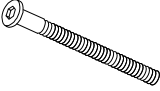
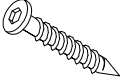
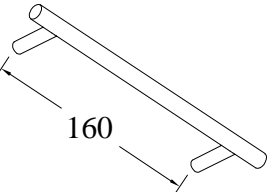
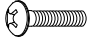
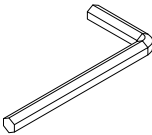
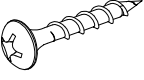
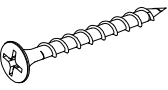
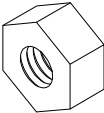


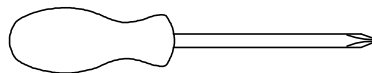
Panel-1pc

Hardware List (Box 3-WF315541)

<p>1</p>  <p>Ø1/4" x 100 mm Hex-Head bolts 16pcs</p>	<p>2</p>  <p>Ø1/4" x 12 mm Horizontal-Hole bolts 78pcs</p>	<p>3</p>  <p>Ø8 x 30 mm Wood dowel 36pcs</p>
<p>4</p>  <p>Ø1/4" x 70 mm Hex-Head bolts 22pcs</p>	<p>5</p>  <p>Ø1/3" x 40 mm Hex-Head bolts 2pcs</p>	<p>6</p>  <p>Screws 1/4" x60 6pcs</p>
<p>7</p>  <p>Led Light - 2pcs</p>	<p>8</p>  <p>Screws 1/4" x40 23pcs</p>	<p>9</p>  <p>Ø1/4" x 120 mm Hex-Head bolts 10pcs</p>
<p>10</p>  <p>Ø1/4" x 60 mm Hex-Head bolts 22pcs</p>	<p>11</p>  <p>M4 x 30 mm Wood Screws 50pcs</p>	<p>12</p>  <p>Angle Metal - 4pcs</p>
<p>13</p>  <p>M4 x 15 mm Wood Screws 16pcs</p>	<p>14</p>  <p>Angle Metal - 4pcs</p>	<p>15</p>  <p>M4 x 20 mm Wood Screws 36pc</p>
<p>16</p>  <p>Bearing - 2pcs</p>	<p>17</p>  <p>Ø1/4" x 15 mm T-nut 10pcs</p>	<p>18</p>  <p>Ø1/4" x 20 mm Hex-Head bolts 8pcs</p>
<p>19</p>  <p>Ø8 x 20 mm Wood dowel 8pcs</p>	<p>20</p>  <p>Ø1/4" x 40 mm Hex-Head bolts 4pcs</p>	<p>21</p>  <p>Ø20 / Ø6 x 2 mm Washer 2pcs</p>



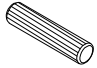
Hardware List (Box 3-WF315541)

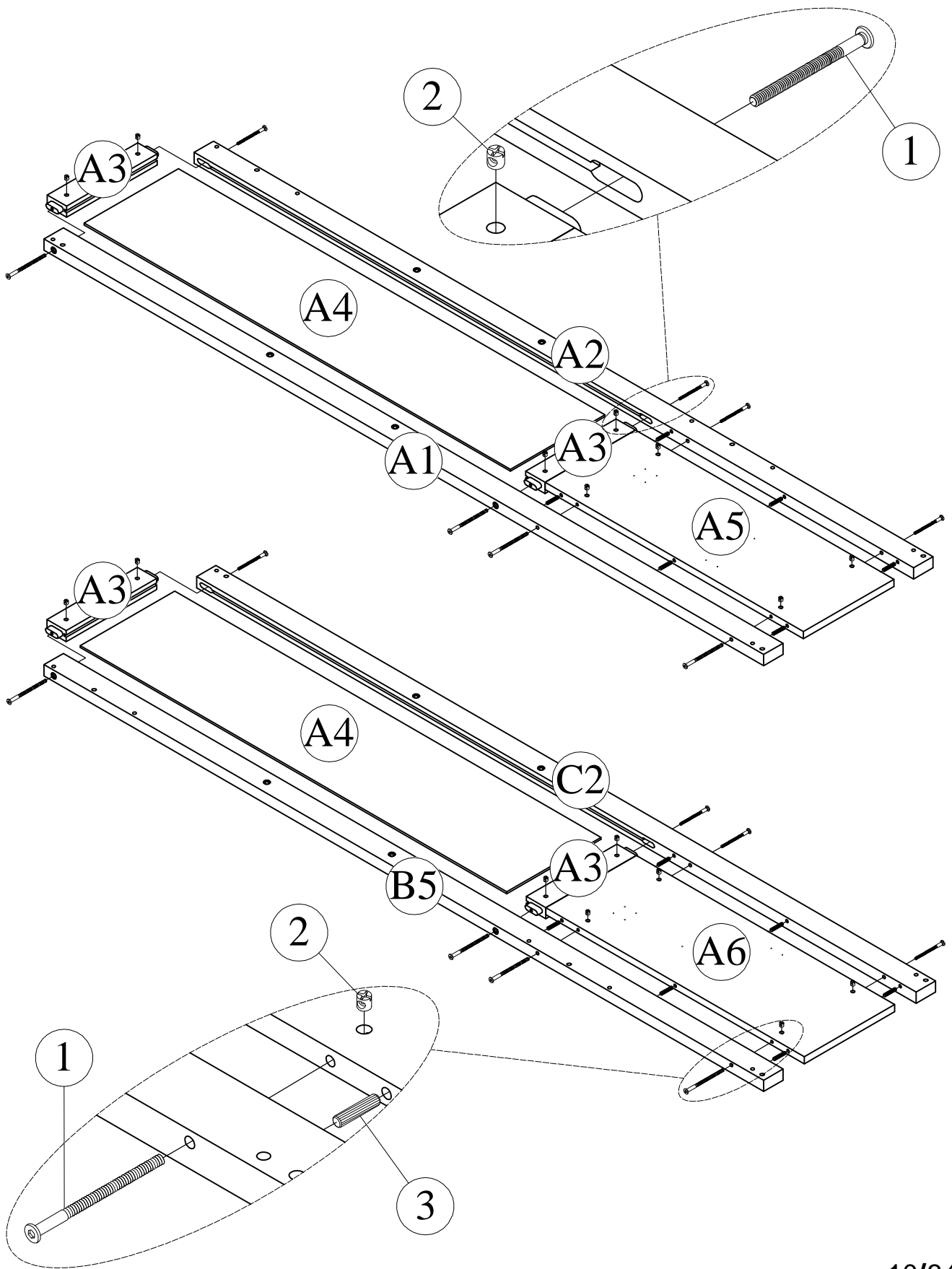
<p>22</p>  <p>Ø1/4" x 50 mm Hex-Head bolts 8pcs</p>	<p>23</p>  <p>Screws 1/4" x30 20pcs</p>	<p>24</p>  <p>160 Handle - 6pcs</p>
<p>25</p>  <p>Bolt Ø1/6" x 25 mm 12pcs</p>	<p>26</p>  <p>Allen Key 2pcs</p>	<p>27</p>  <p>M4 x 20 mm Wood Screws 8pcs</p>
<p>28</p>  <p>M4 x 40 mm Wood Screws 4pcs</p>	<p>29</p>  <p>Nut - 4pcs</p>	





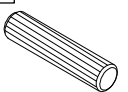
Assembly Tools Required (Not Included)

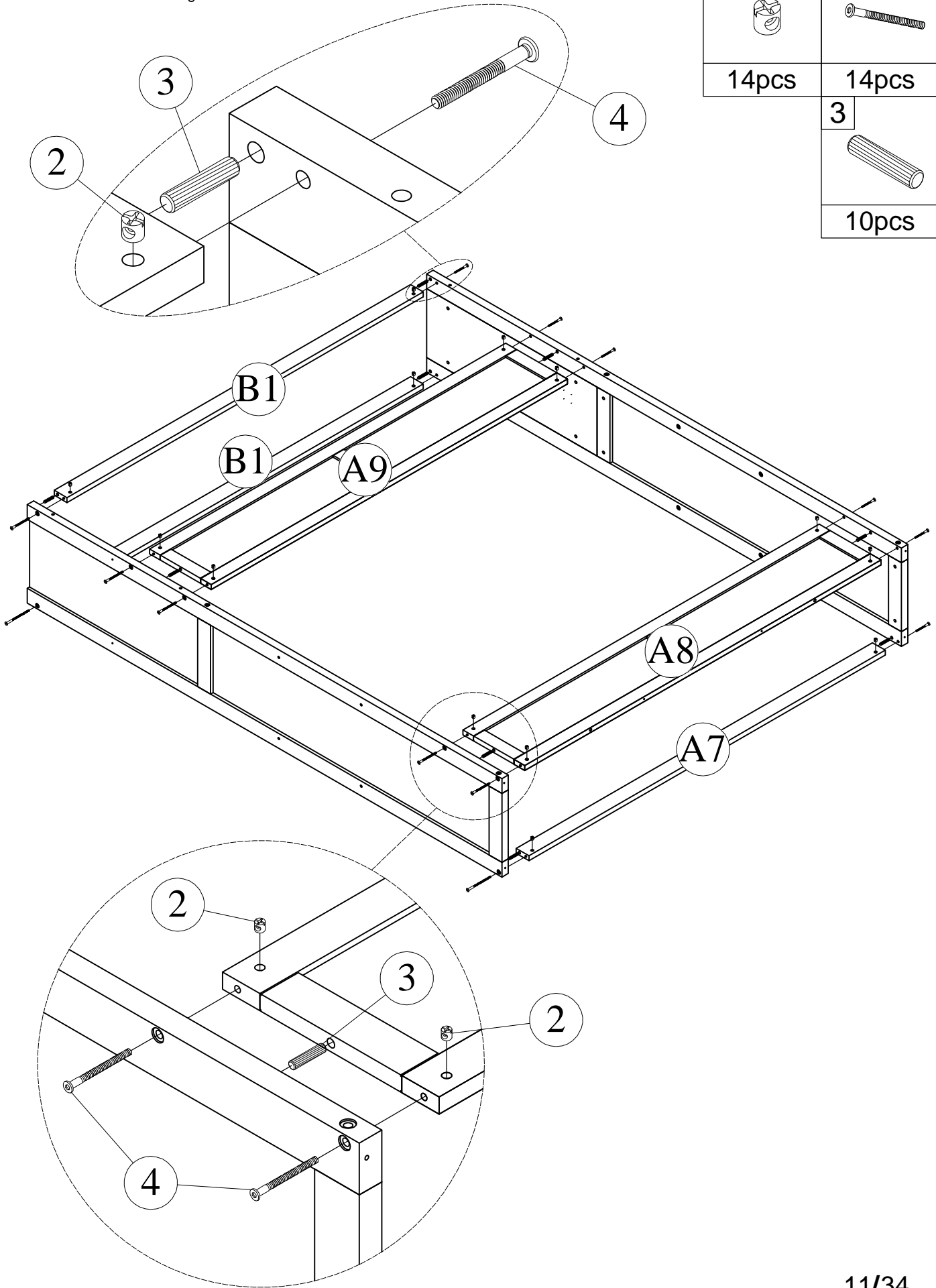
STEP1: Following below illustration.

1	2	3
		
16pcs	16pcs	12pcs



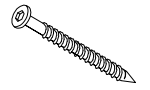
STEP2: Following below illustration.

2		4	
14pcs		14pcs	
		3	
		10pcs	

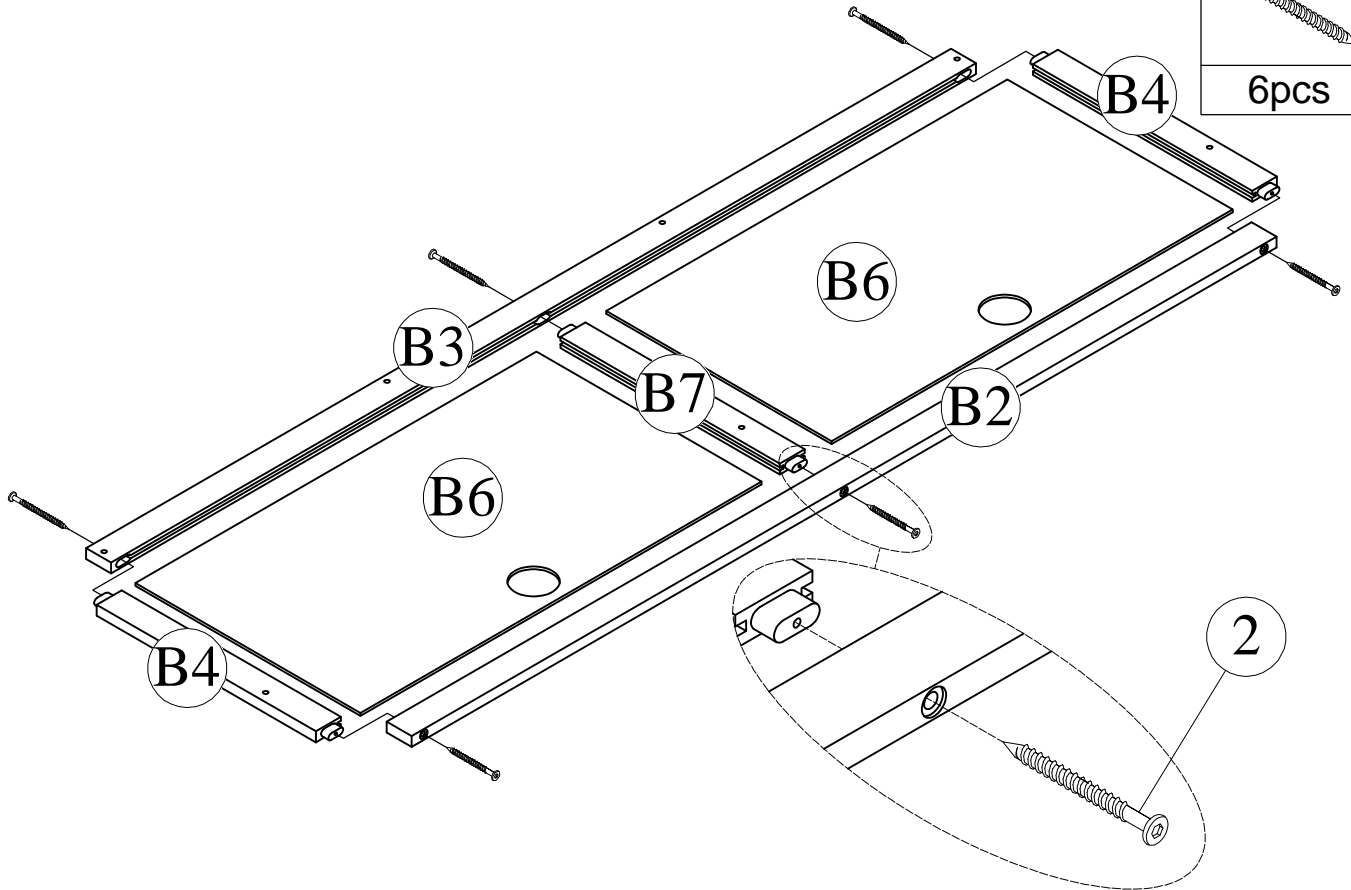


STEP3: Following below illustration.

6



6pcs

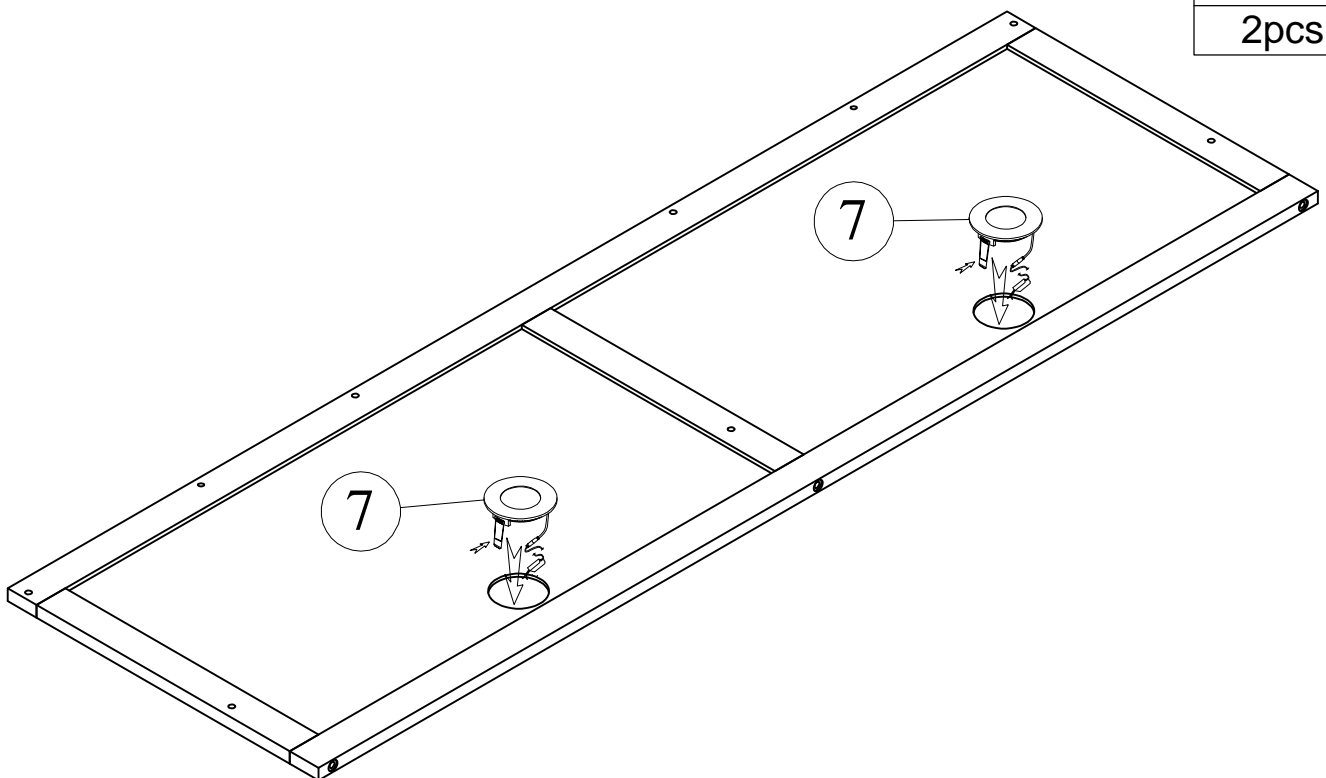


STEP4: Following below illustration.

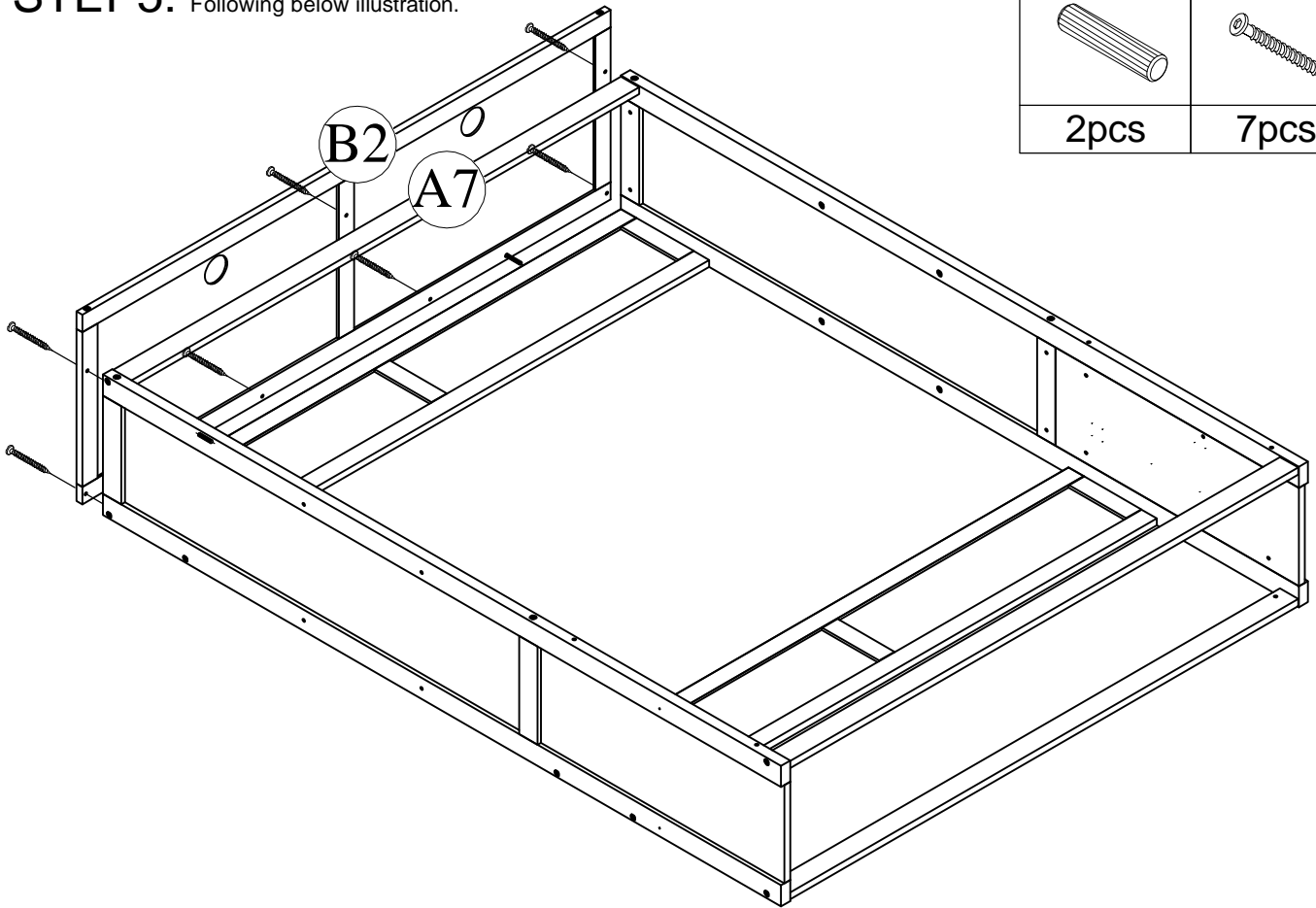
7

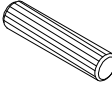



2pcs

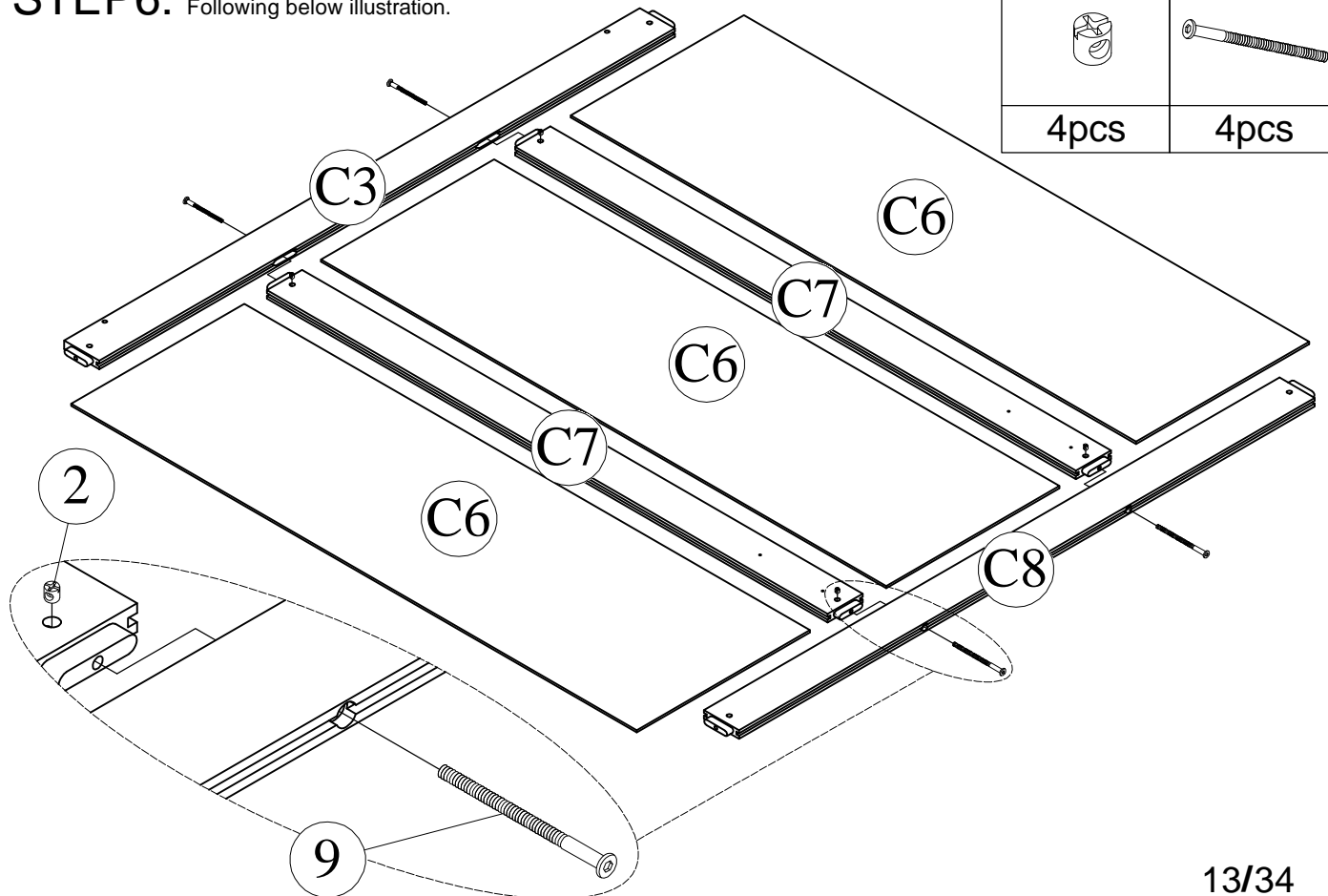




STEP5: Following below illustration.



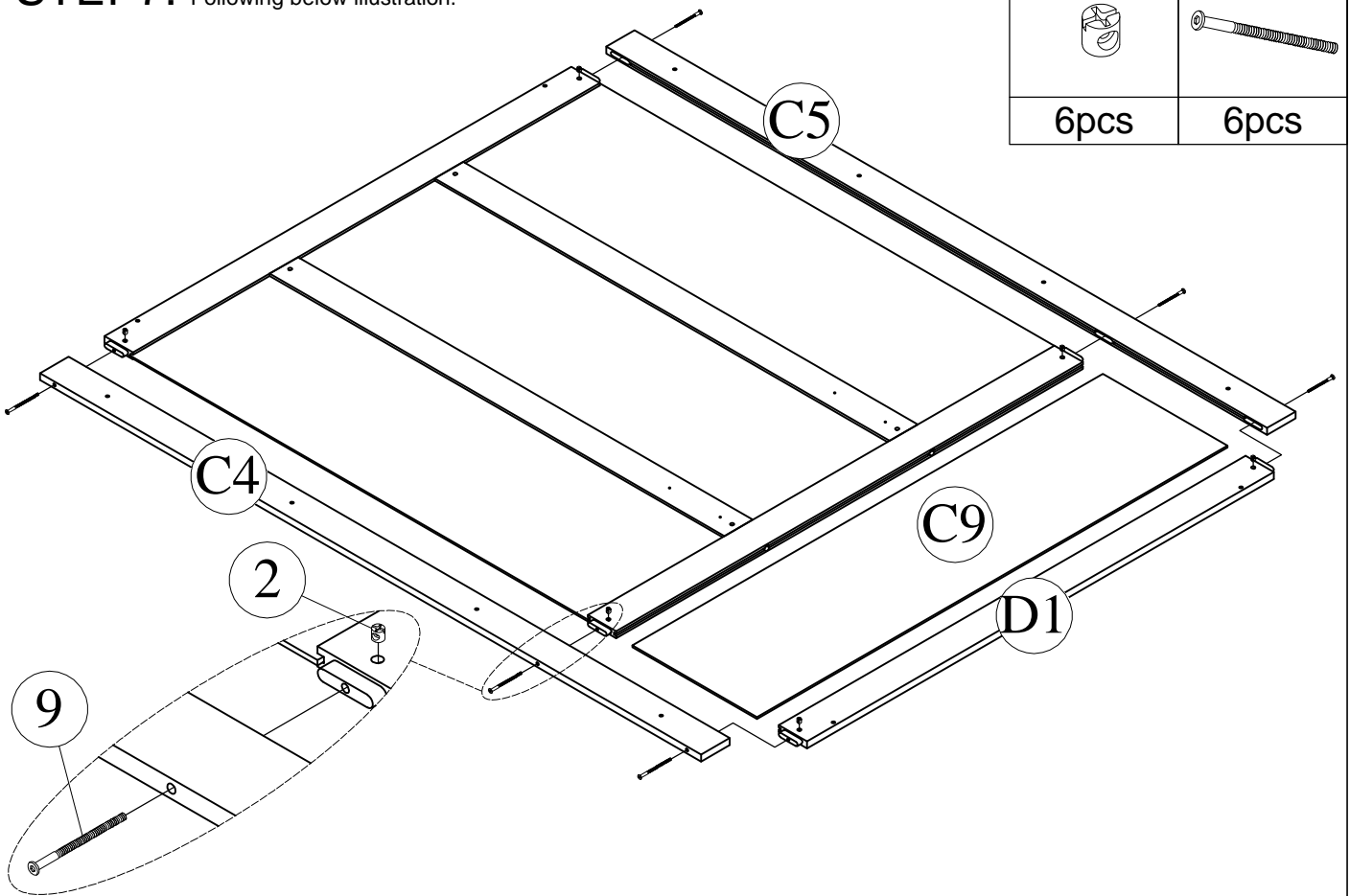
3		8	
	2pcs		7pcs



STEP6: Following below illustration.



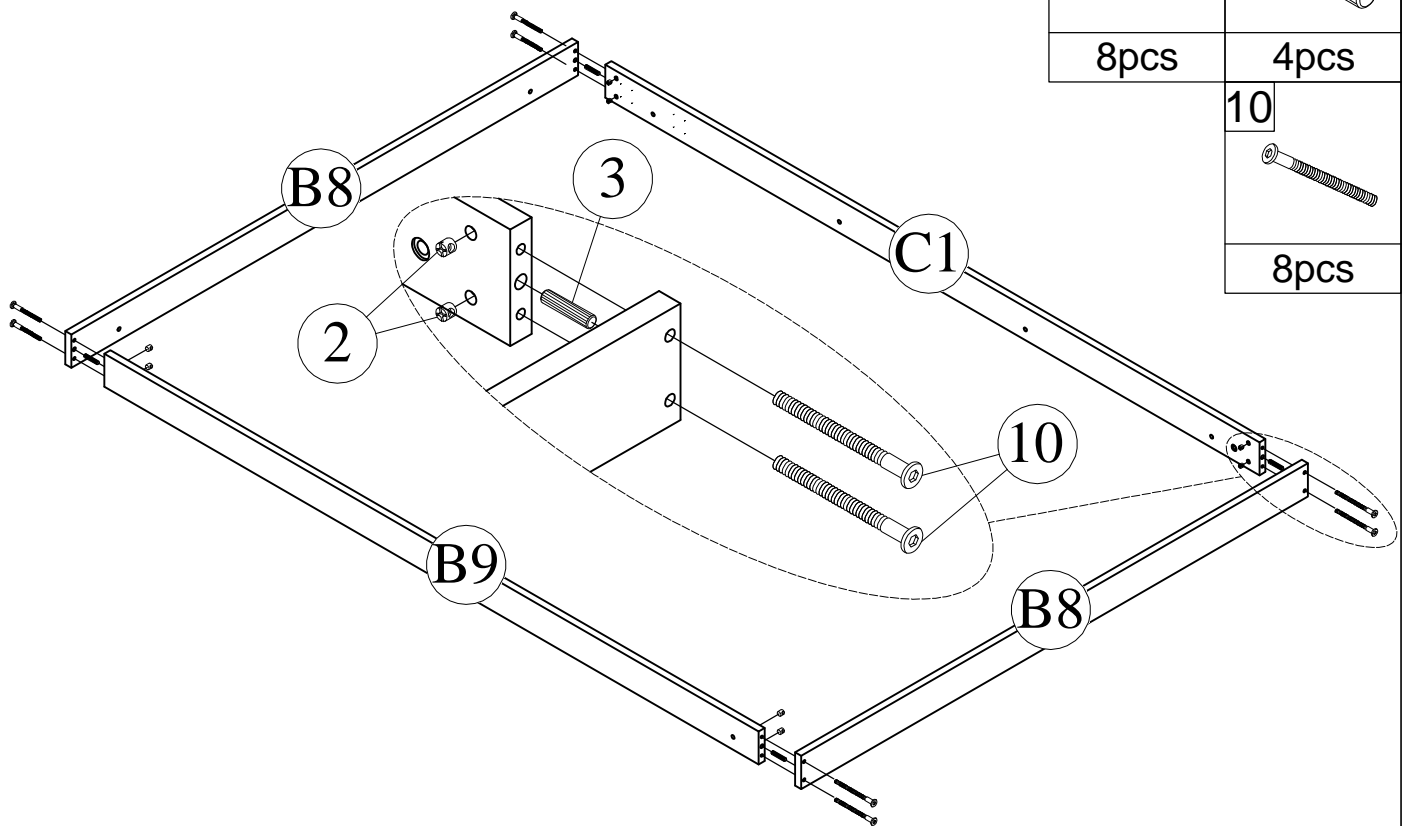
2		9	
	4pcs		4pcs


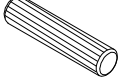

STEP7: Following below illustration.




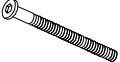
2	9
	
6pcs	6pcs

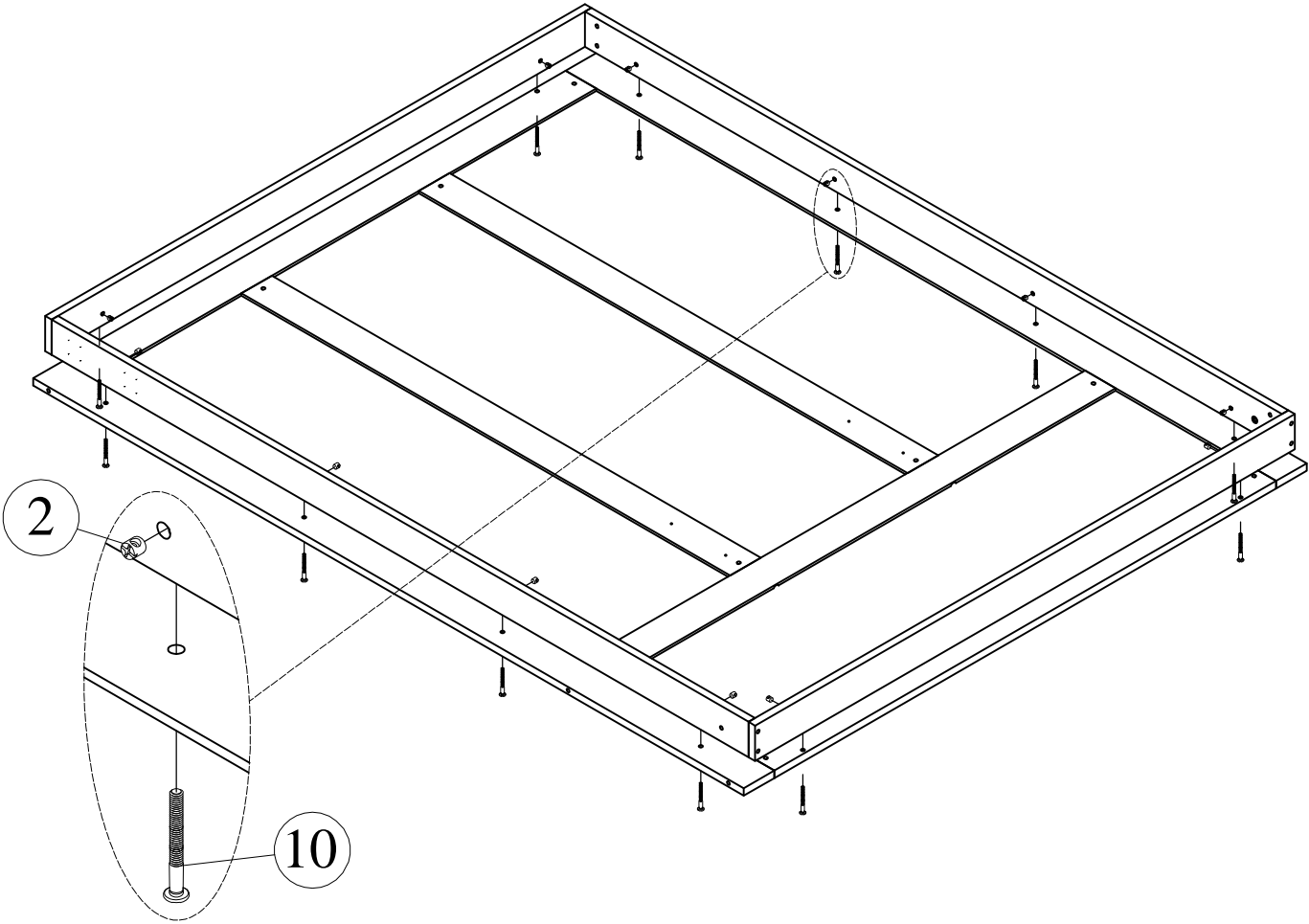
STEP8: Following below illustration.



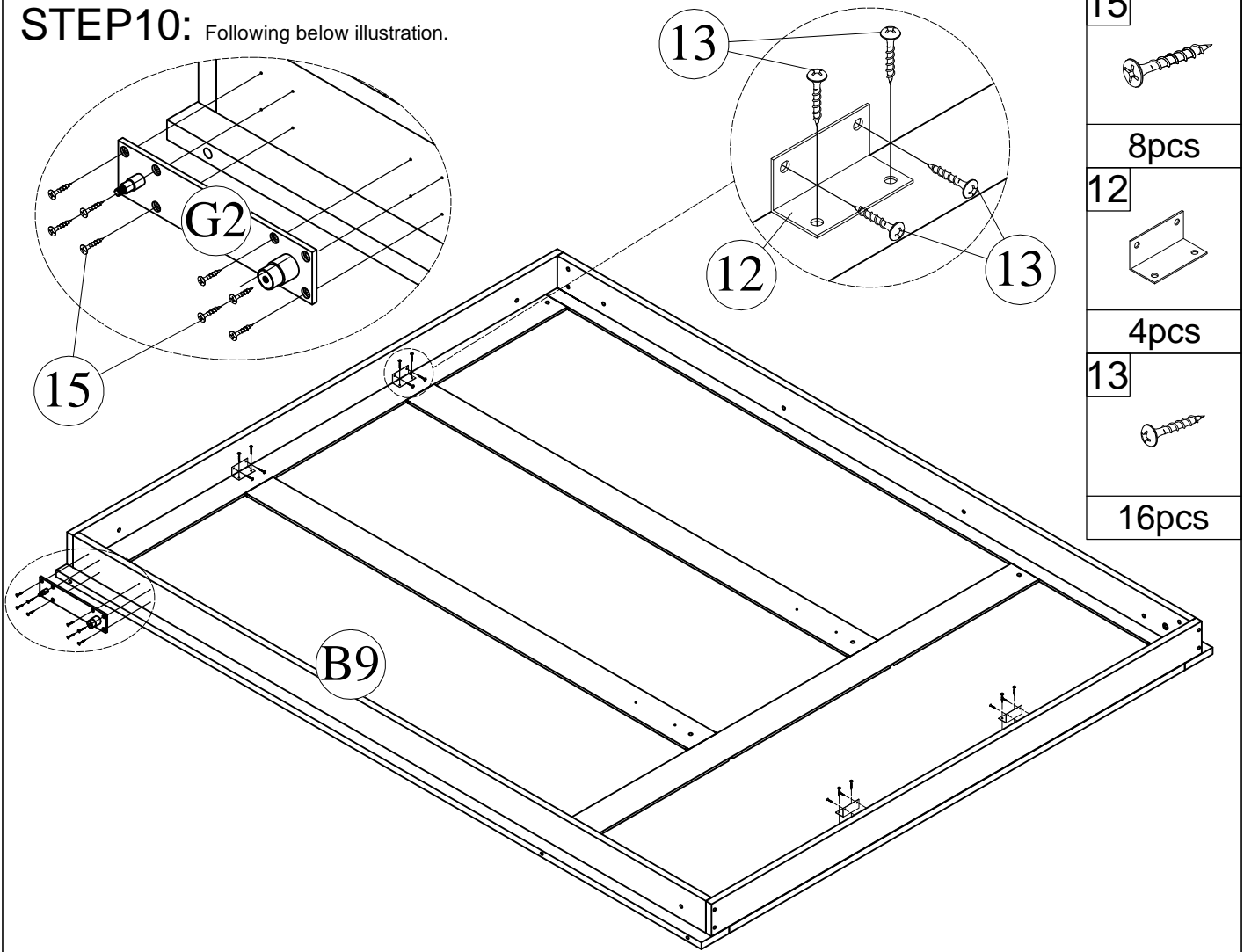
2	3
	
8pcs	4pcs
	10
	
	8pcs

STEP9: Following below illustration.

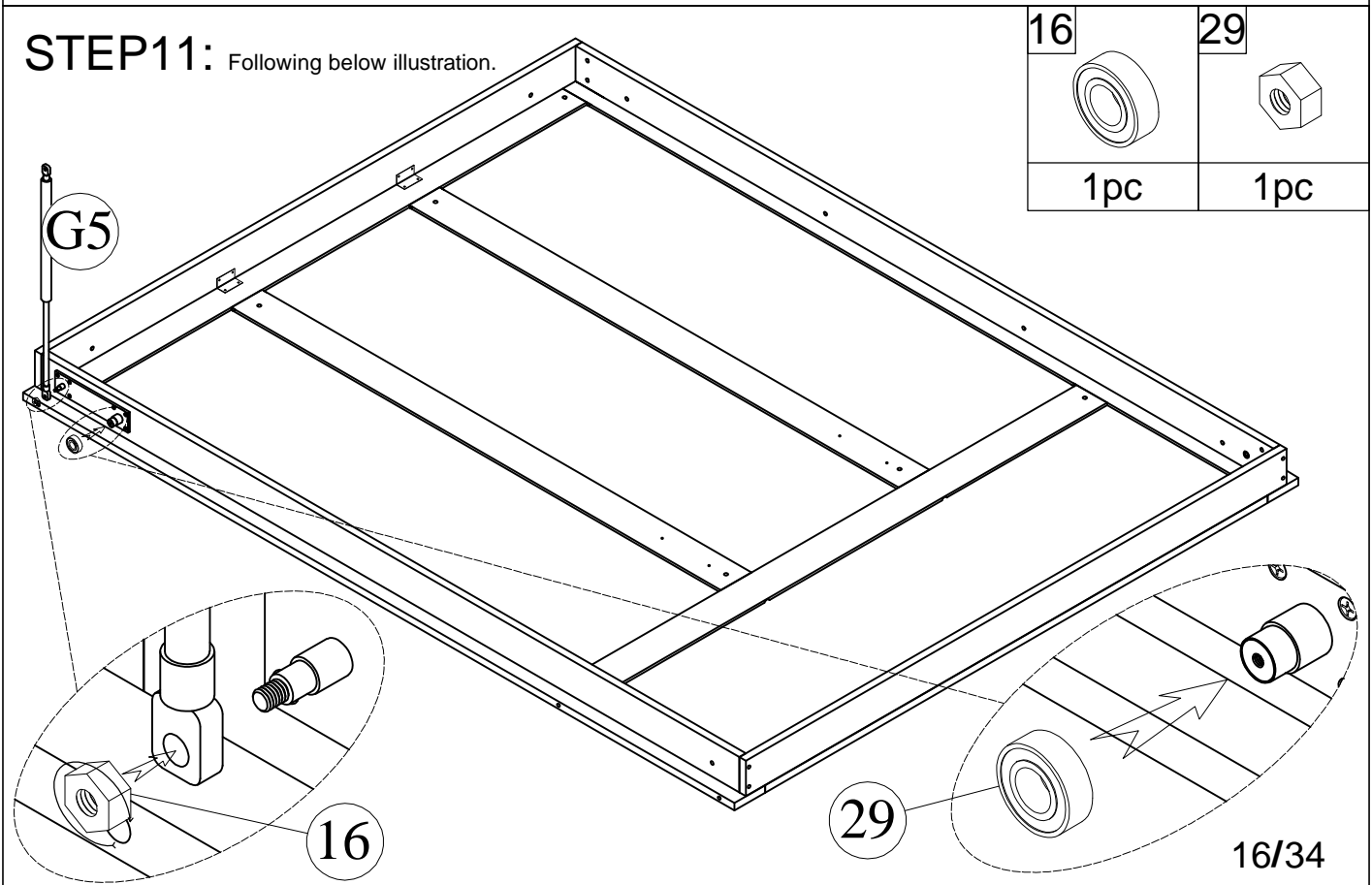
2		10	
12pcs		12pcs	



STEP10: Following below illustration.

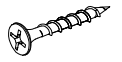


STEP11: Following below illustration.

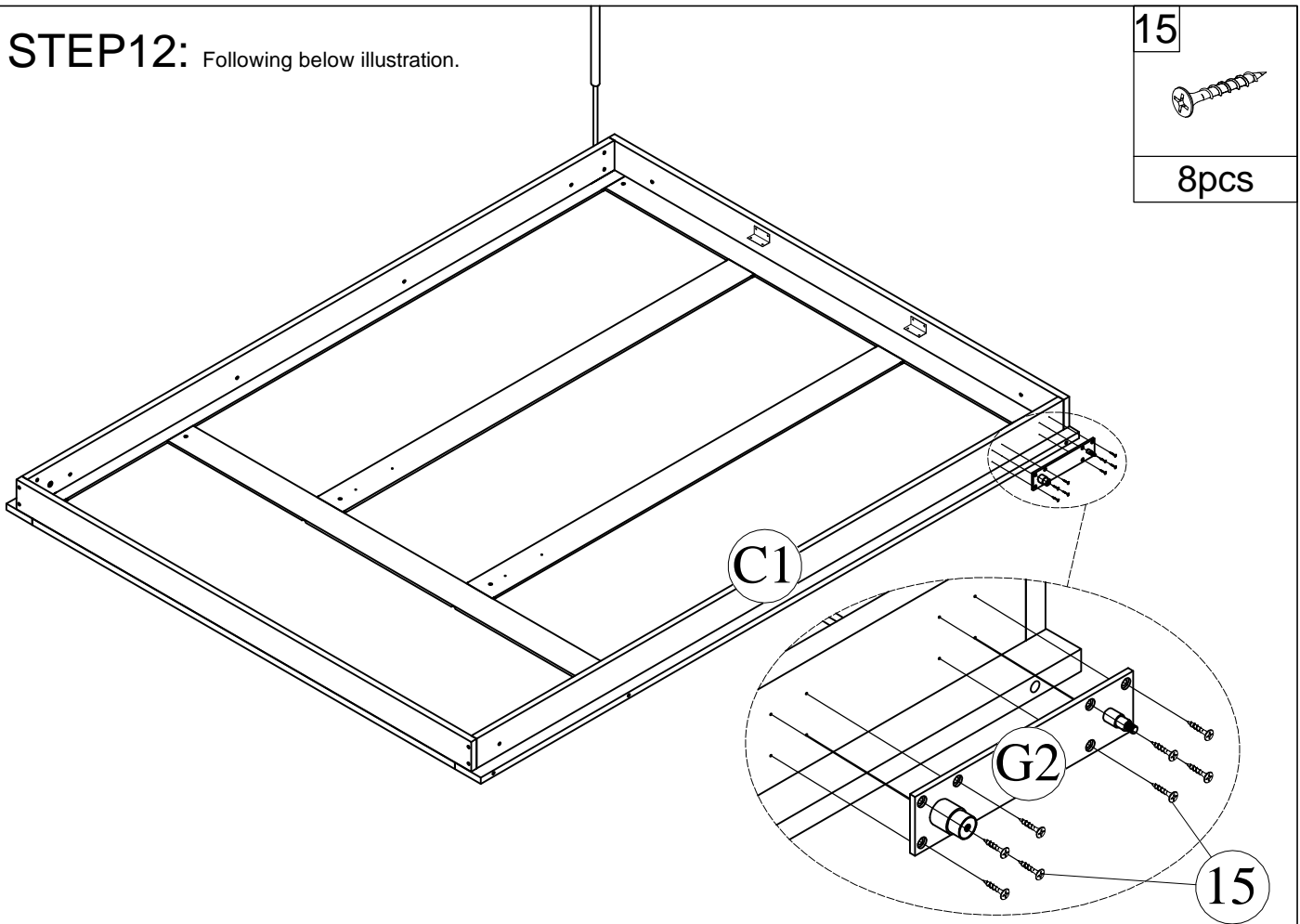


STEP12: Following below illustration.

15



8pcs



STEP13: Following below illustration.

16

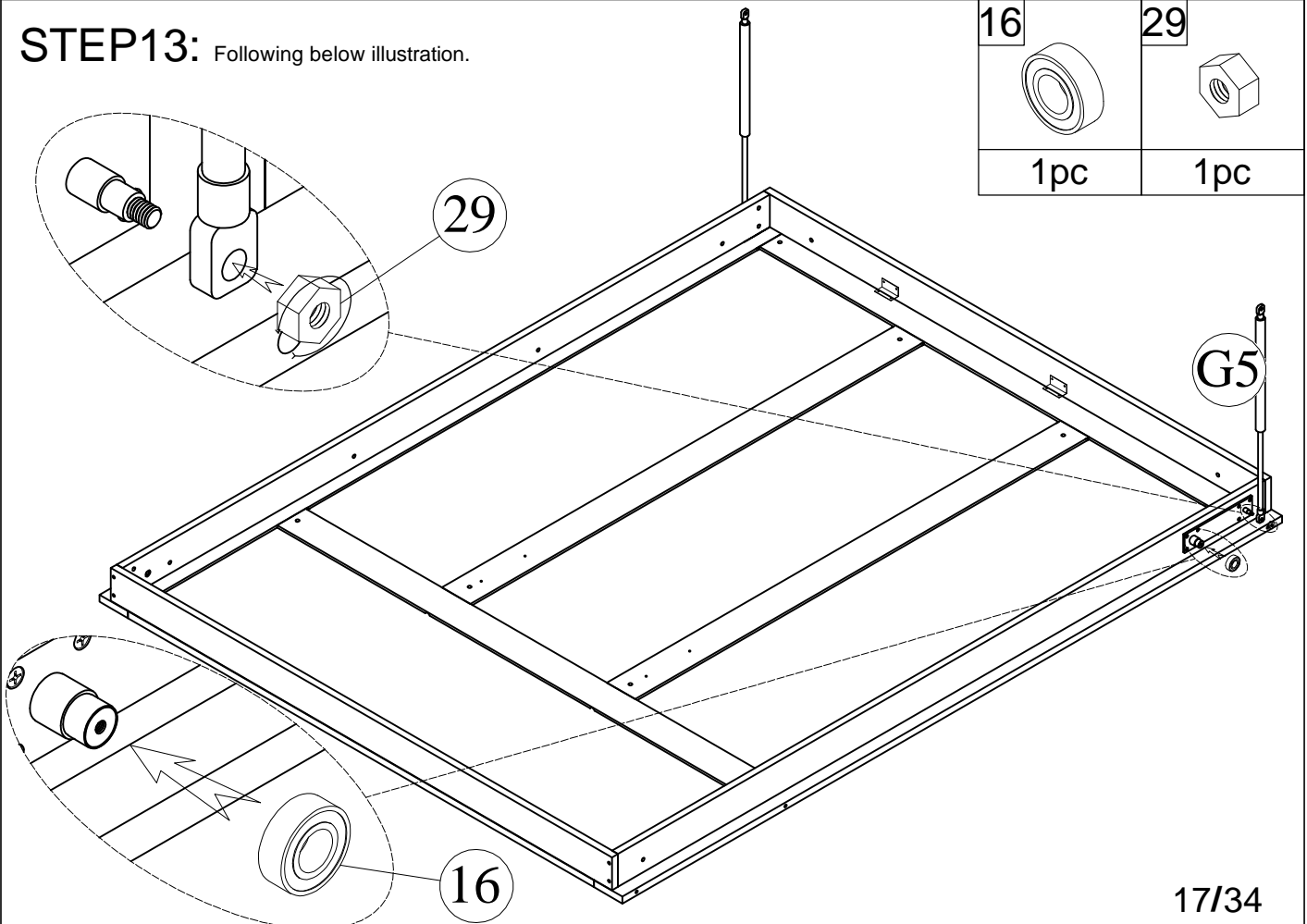


1pc

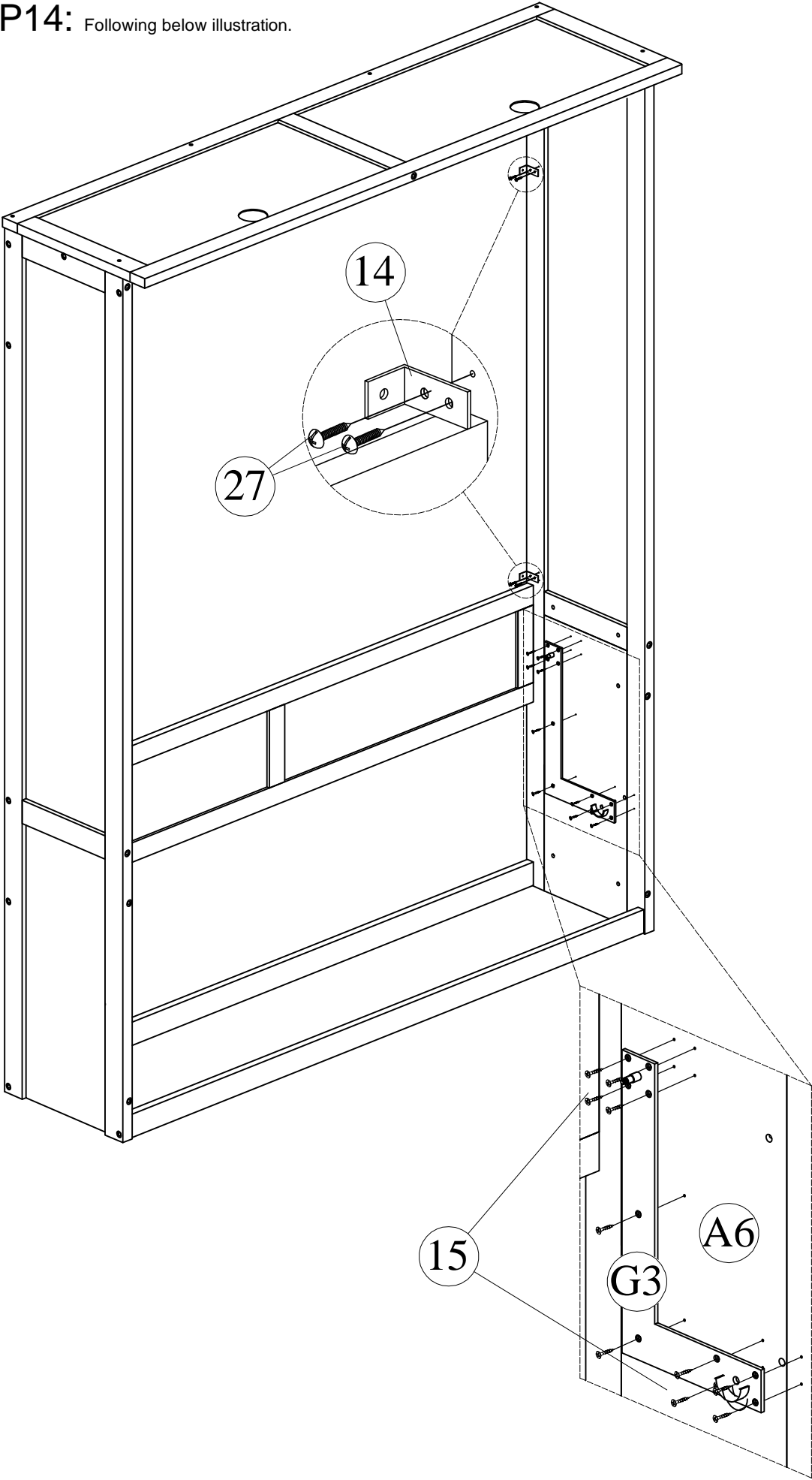
29

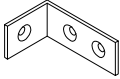
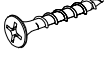



1pc



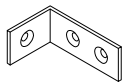
STEP14: Following below illustration.



- 14

2pcs
- 15

10pcs
- 27

4pcs

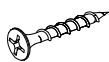
STEP15: Following below illustration.

14



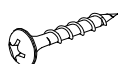
2pcs

15

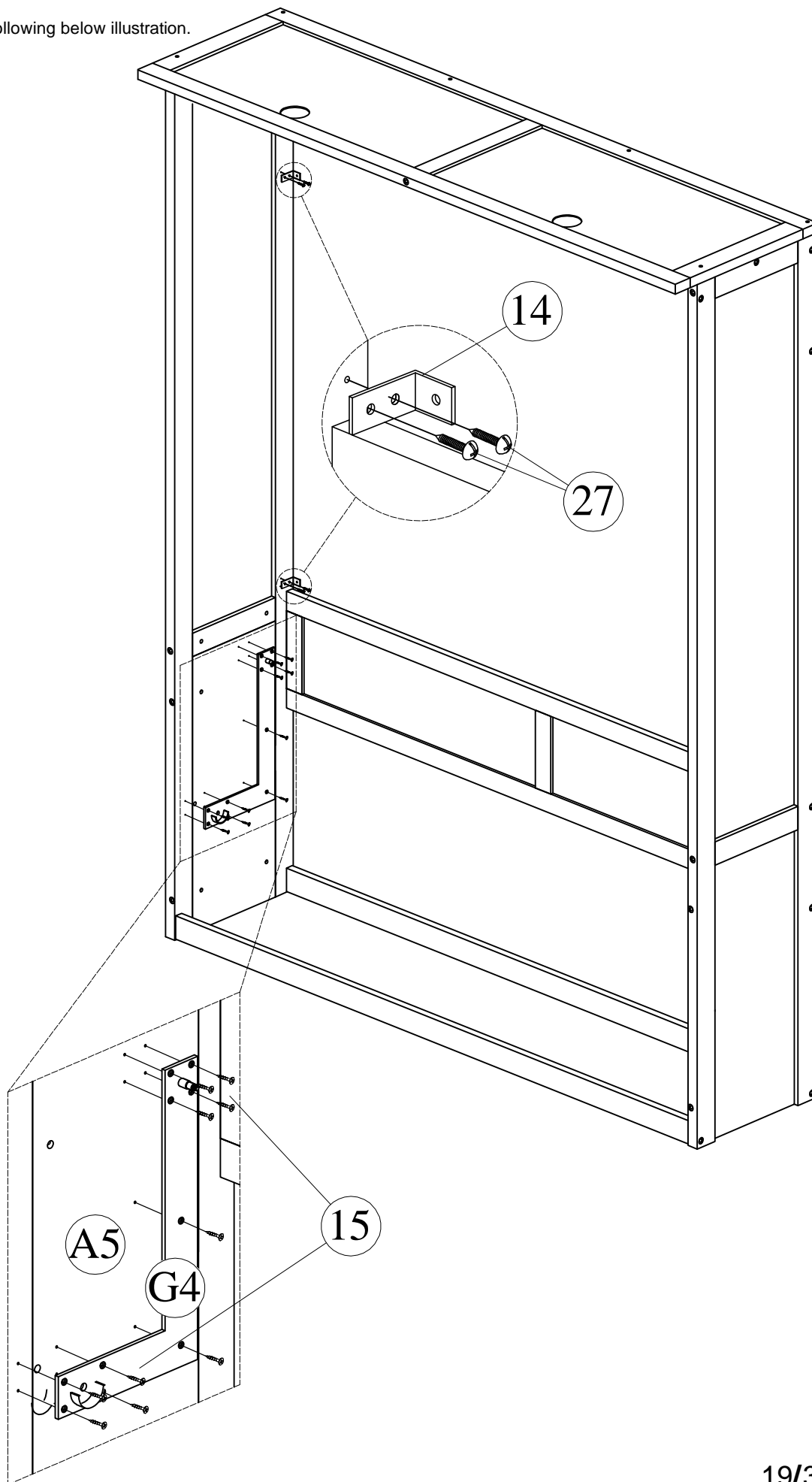


10pcs

27

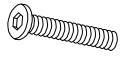


4pcs

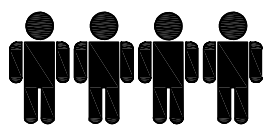
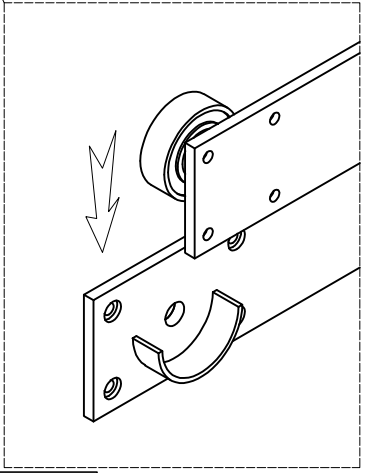
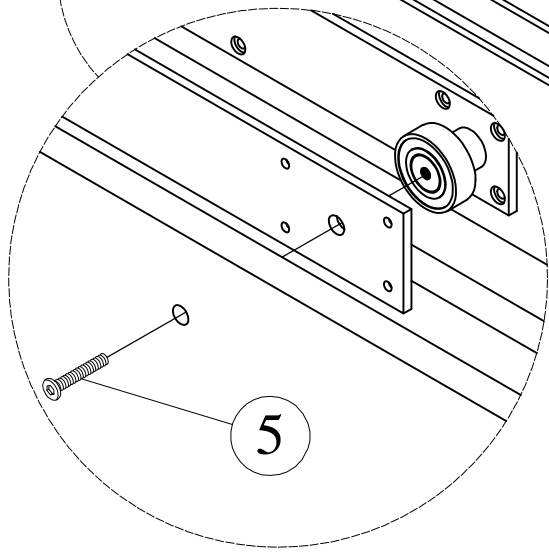
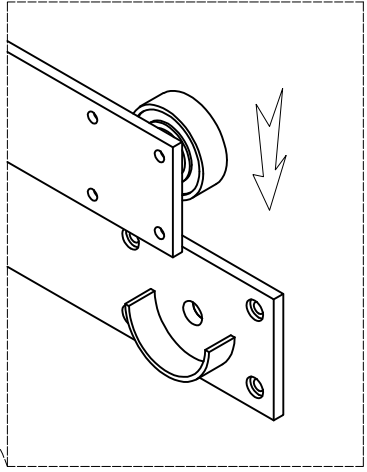
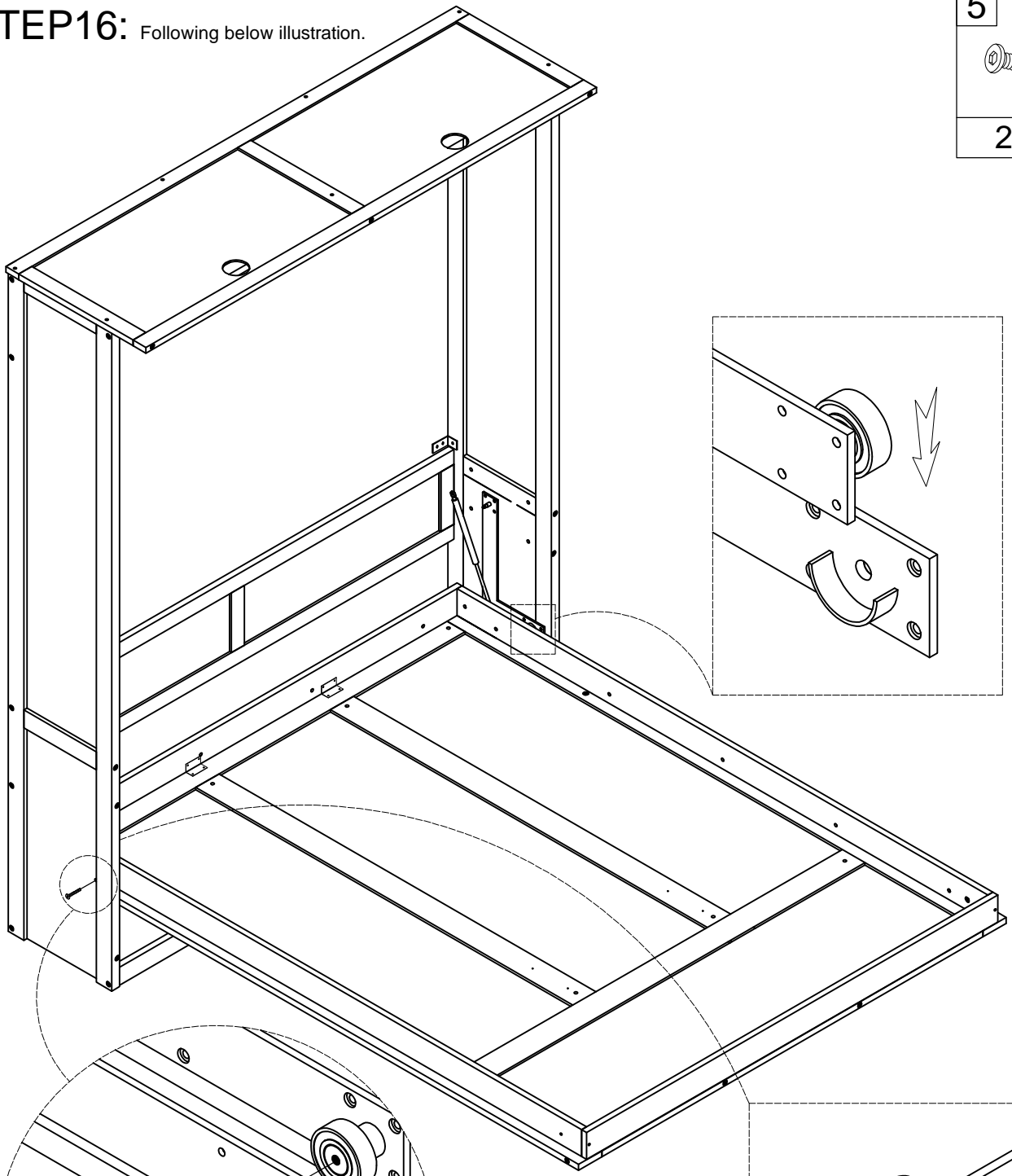


STEP16: Following below illustration.

5



2pcs



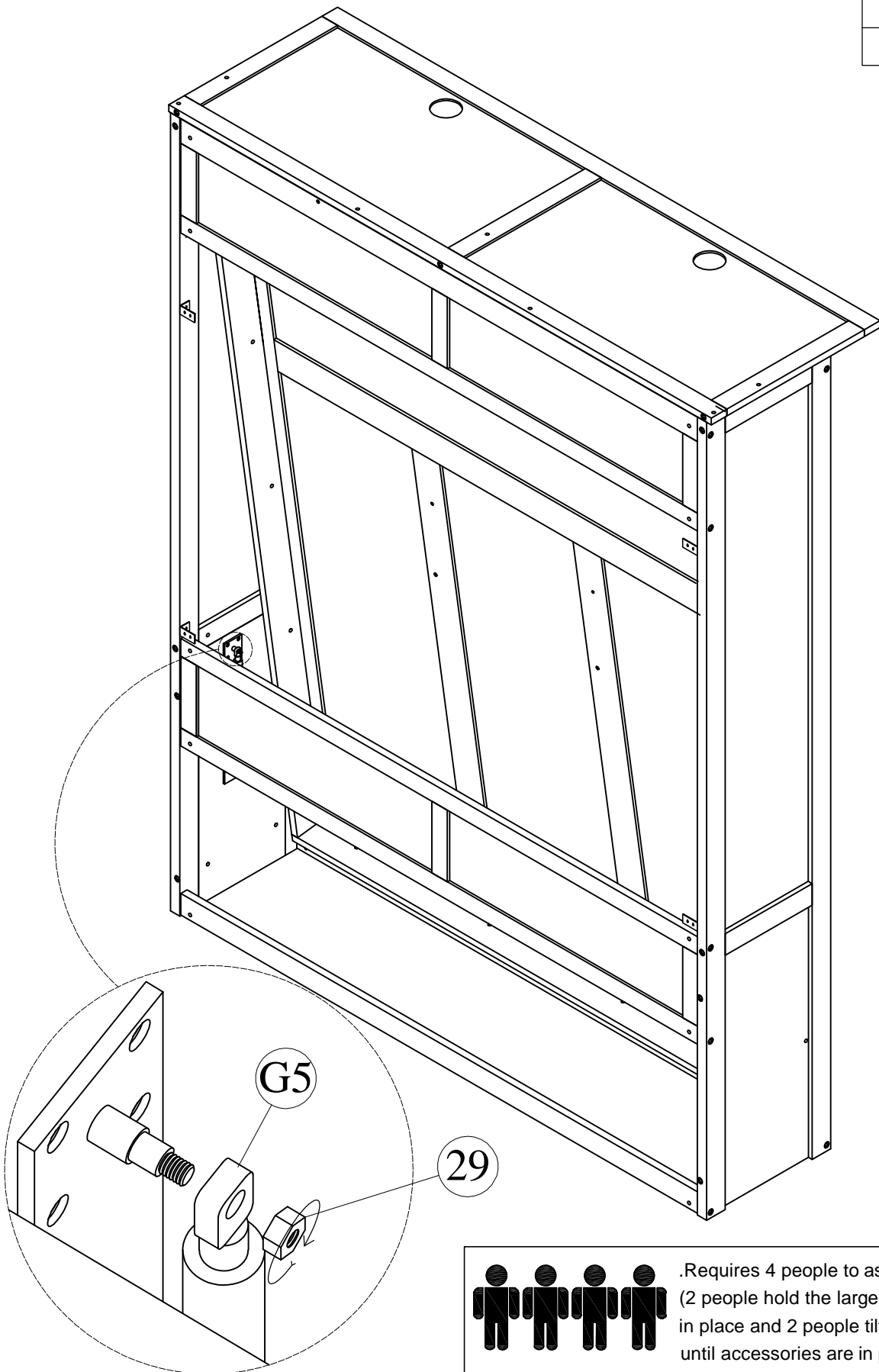
.Requires 4 people to assemble
(2 people hold the large cabinet
in place and 2 people tilt the bed
until accessories are in place)

STEP17: Following below illustration.

29



1pc



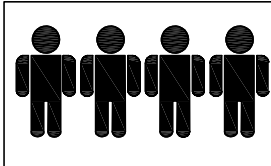
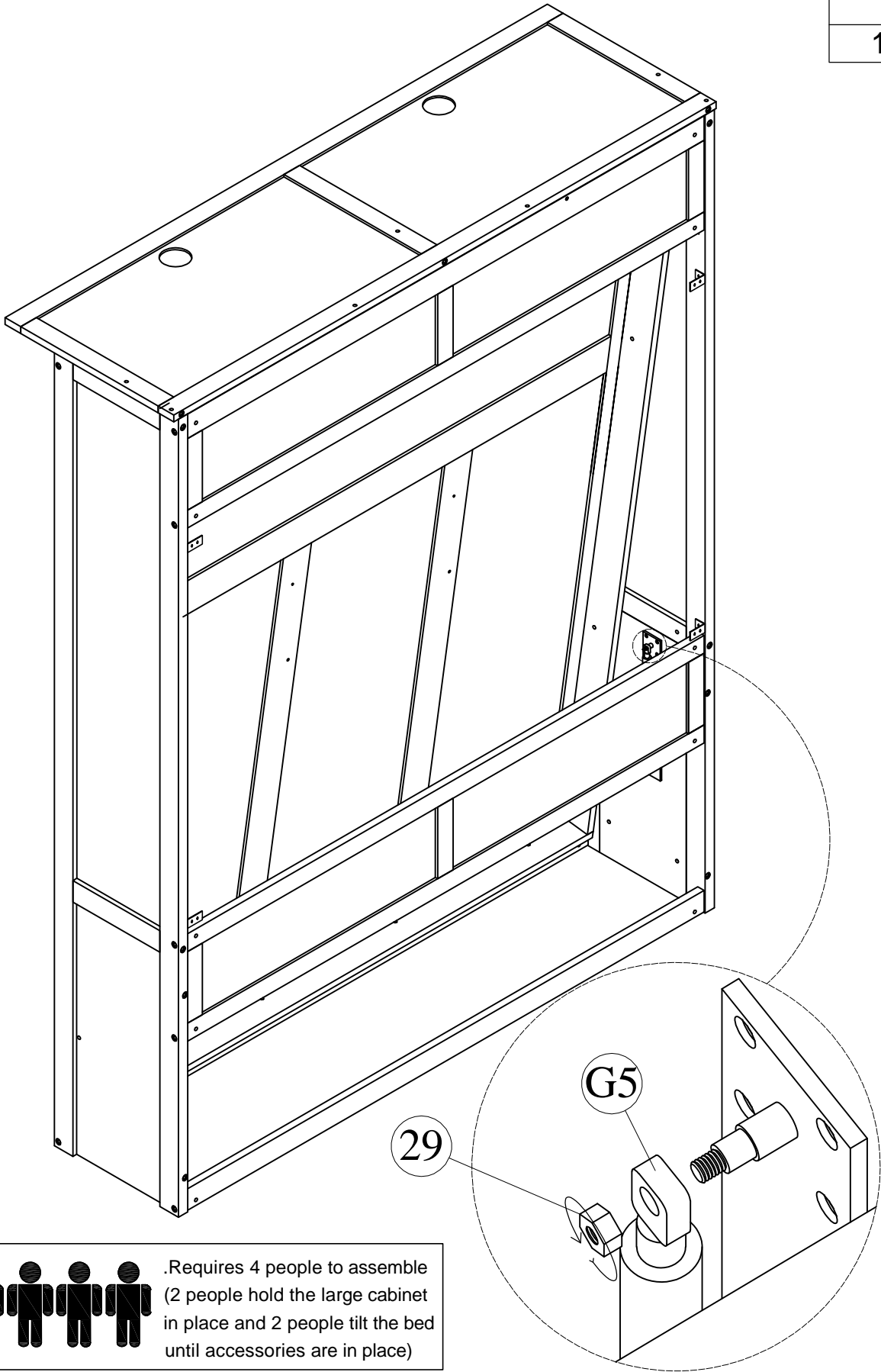
.Requires 4 people to assemble
(2 people hold the large cabinet
in place and 2 people tilt the bed
until accessories are in place)

STEP18: Following below illustration.

29


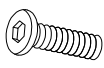
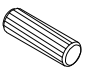


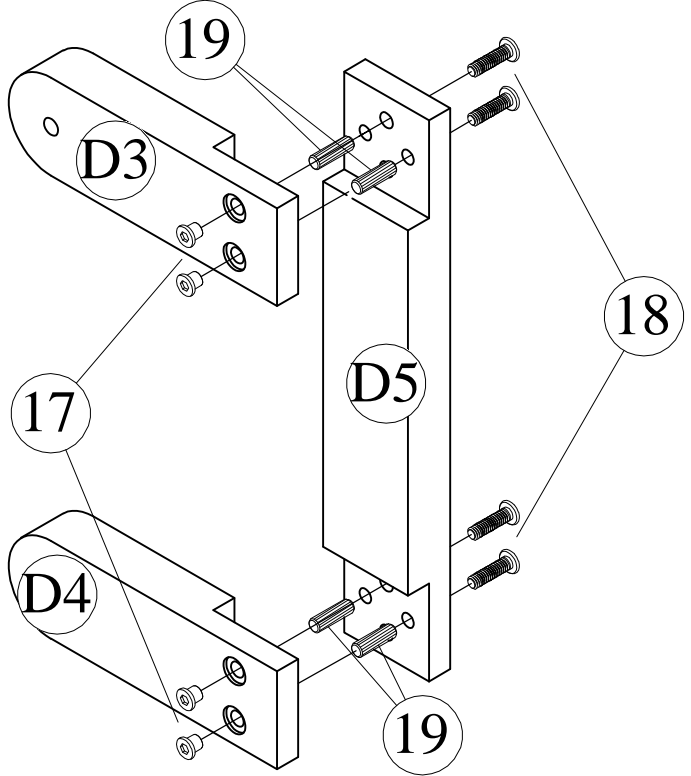
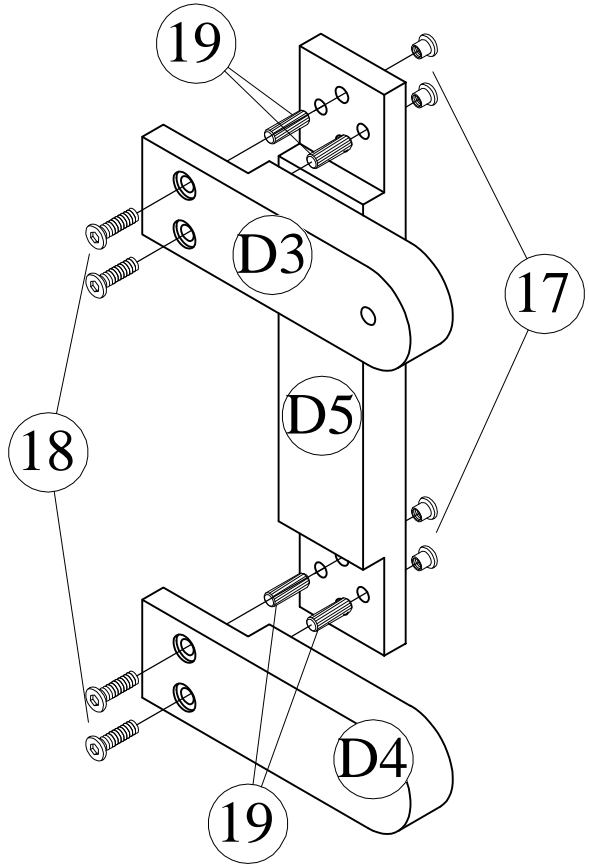
1pc






.Requires 4 people to assemble
(2 people hold the large cabinet
in place and 2 people tilt the bed
until accessories are in place)

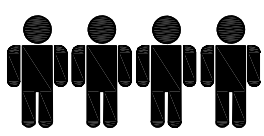
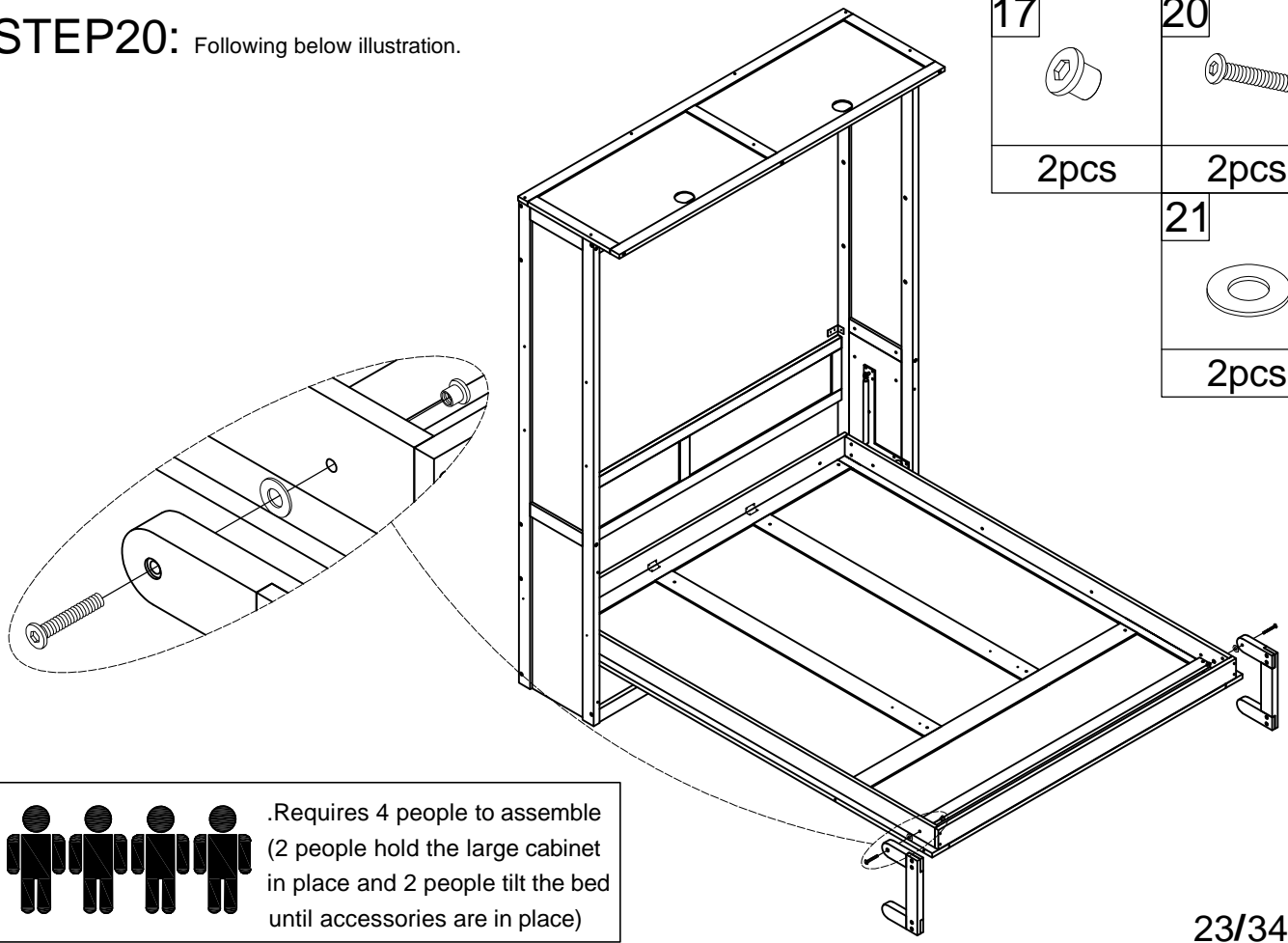
STEP19: Following below illustration.

17	18	19
		
8pcs	8pcs	8pcs



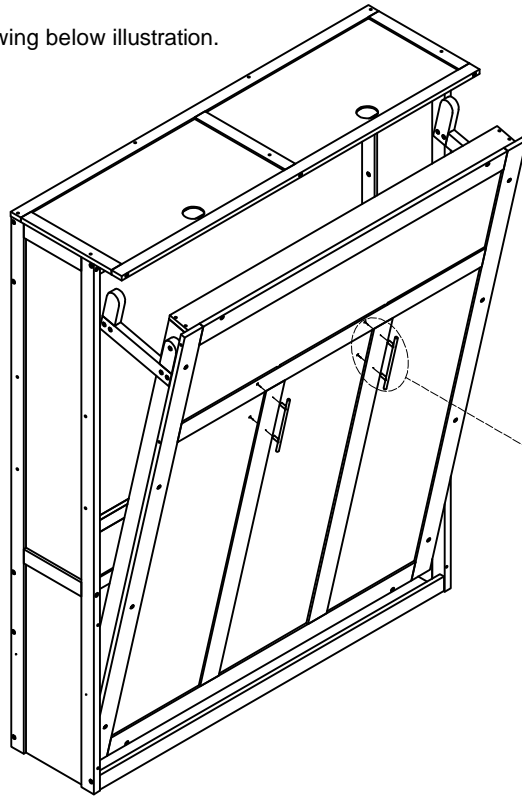
STEP20: Following below illustration.

17	20
	
2pcs	2pcs
	21
	
	2pcs

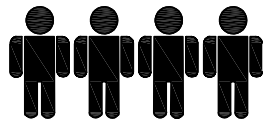


.Requires 4 people to assemble
(2 people hold the large cabinet
in place and 2 people tilt the bed
until accessories are in place)

STEP21: Following below illustration.

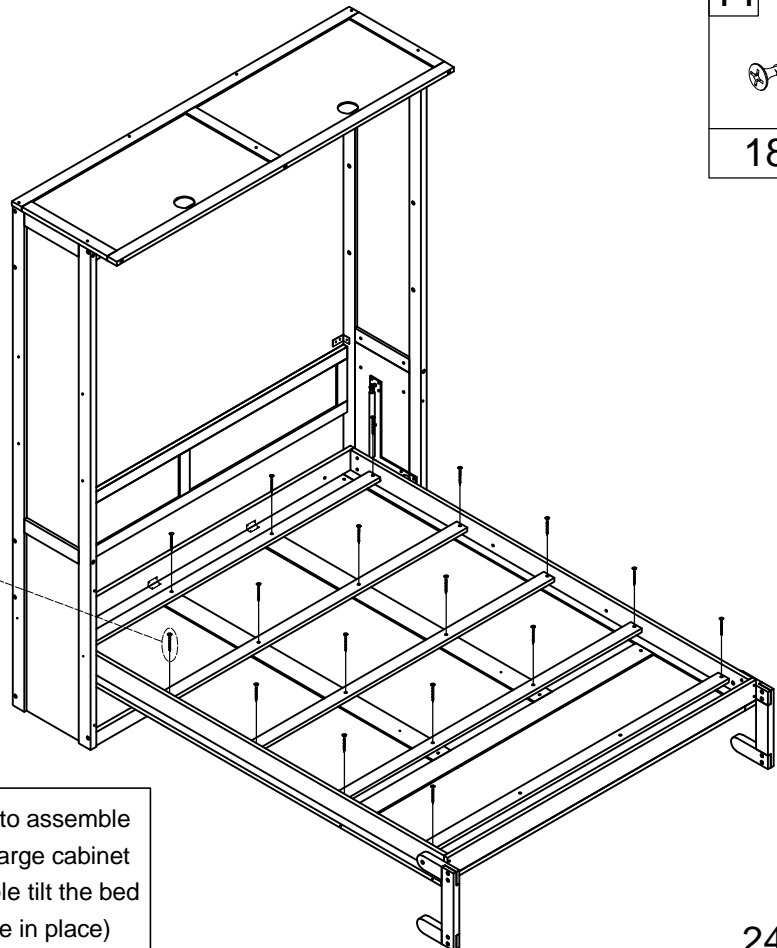


24	25
2pcs	4pcs

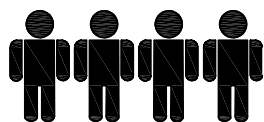
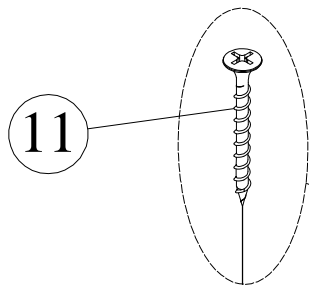


.Requires 4 people to assemble
(2 people hold the large cabinet
in place and 2 people tilt the bed
until accessories are in place)

STEP22: Following below illustration.

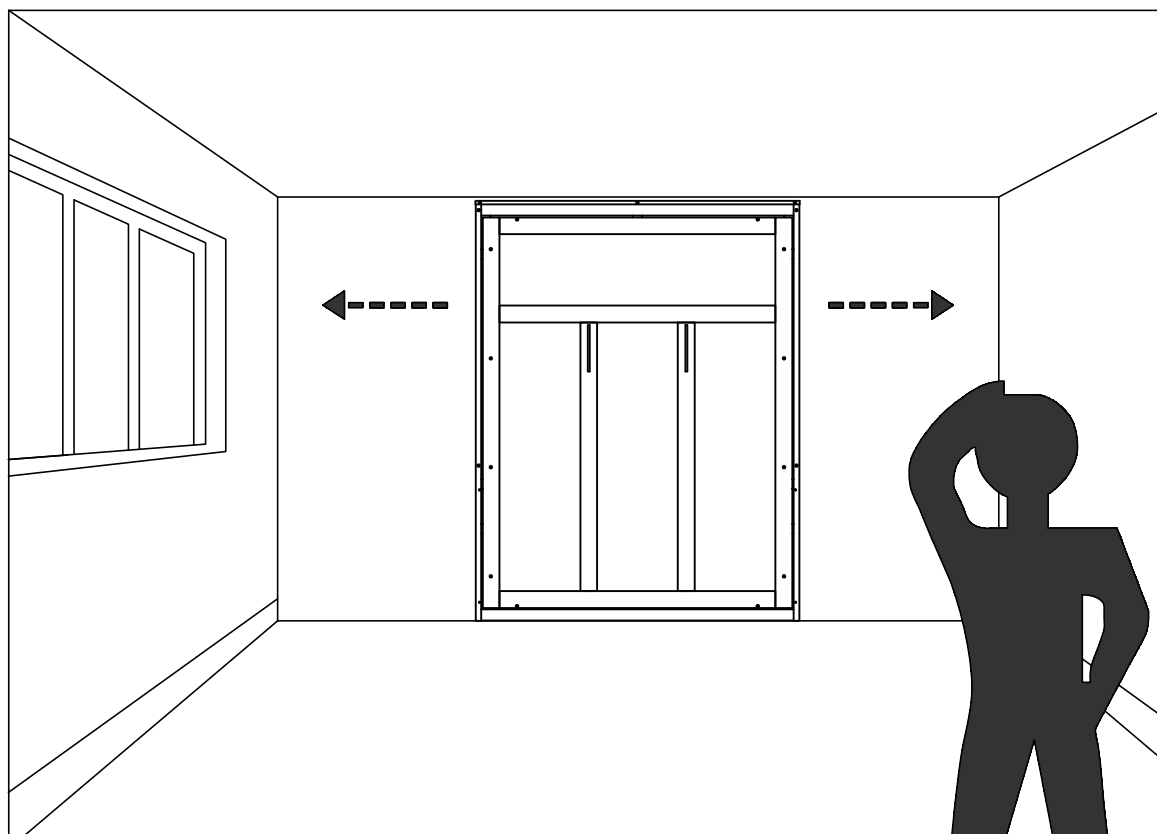


11
18pcs

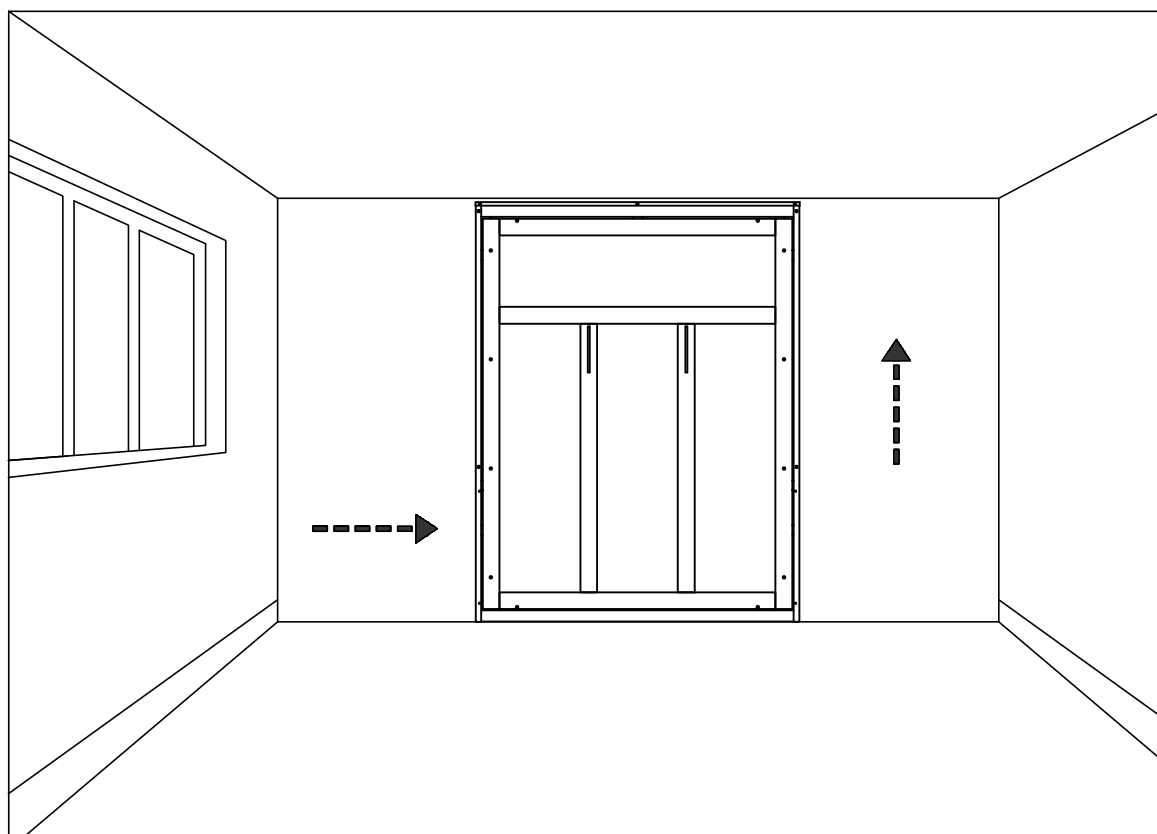


.Requires 4 people to assemble
(2 people hold the large cabinet
in place and 2 people tilt the bed
until accessories are in place)

1- Determine the position of the bed in the room.



2- Put the bed back in its place. Please keep it vertical and horizontal.




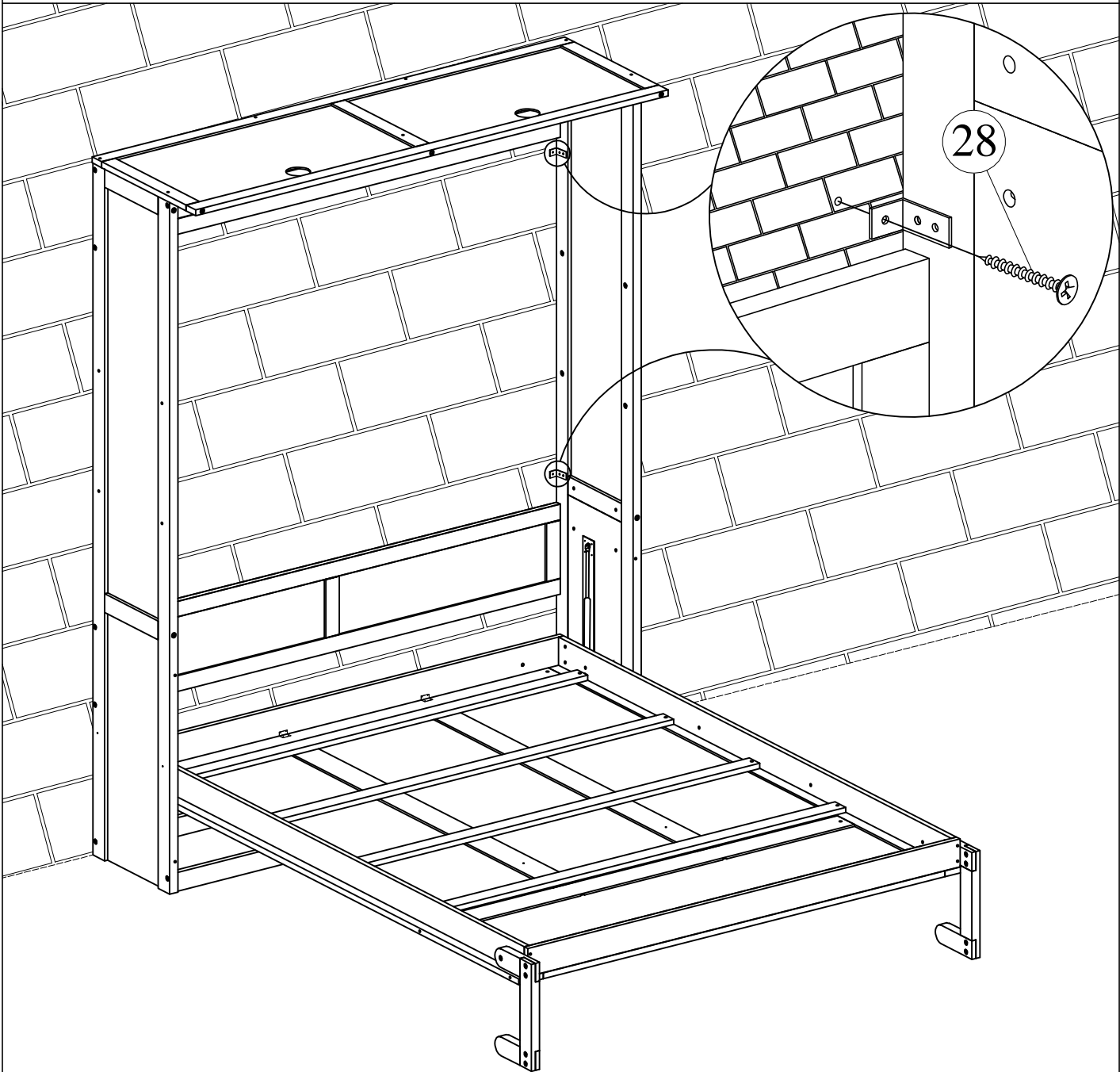
STEP23: Following below illustration.

28



2pcs

 Four people are required to assemble and move this model.



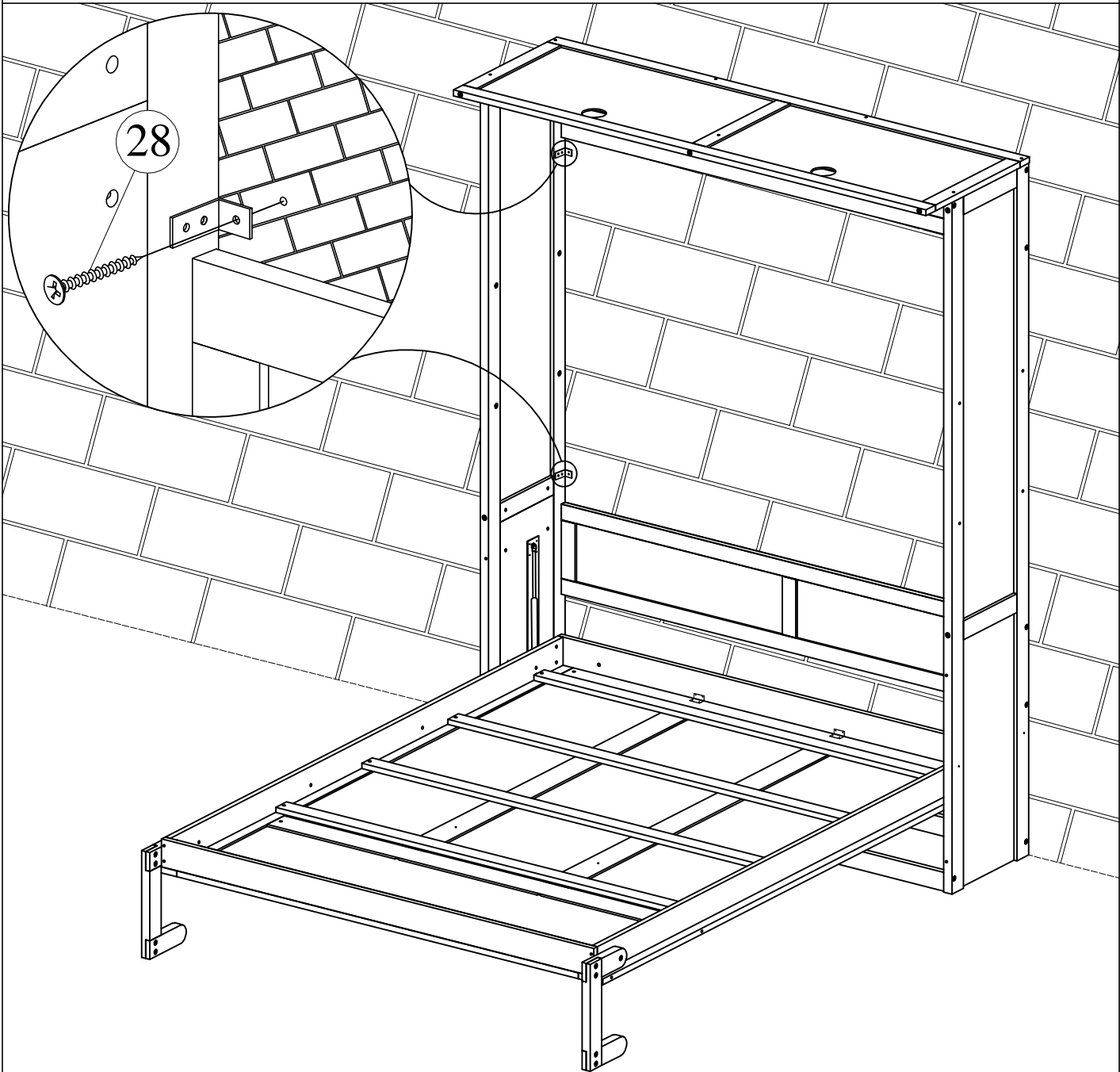
STEP24: Following below illustration.

28

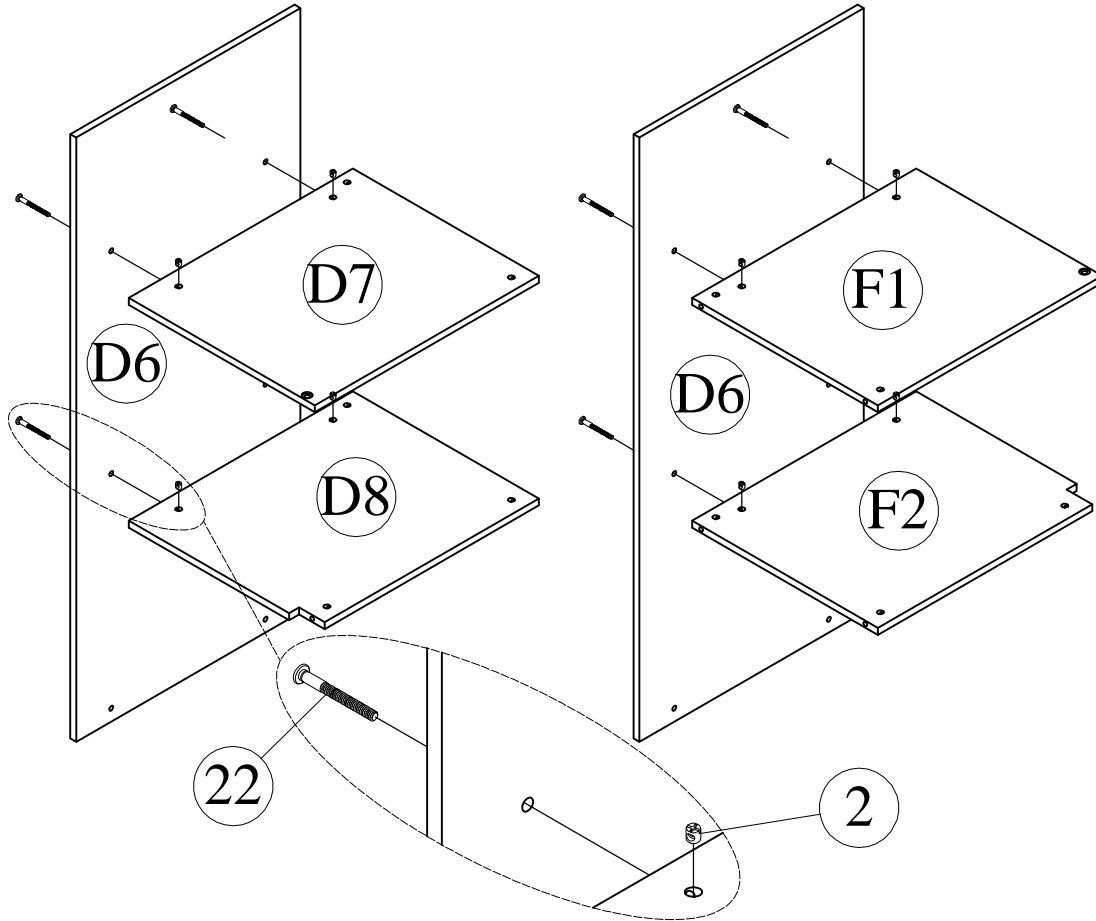



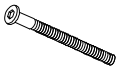
2pcs

Four people are required to assemble and move this model.

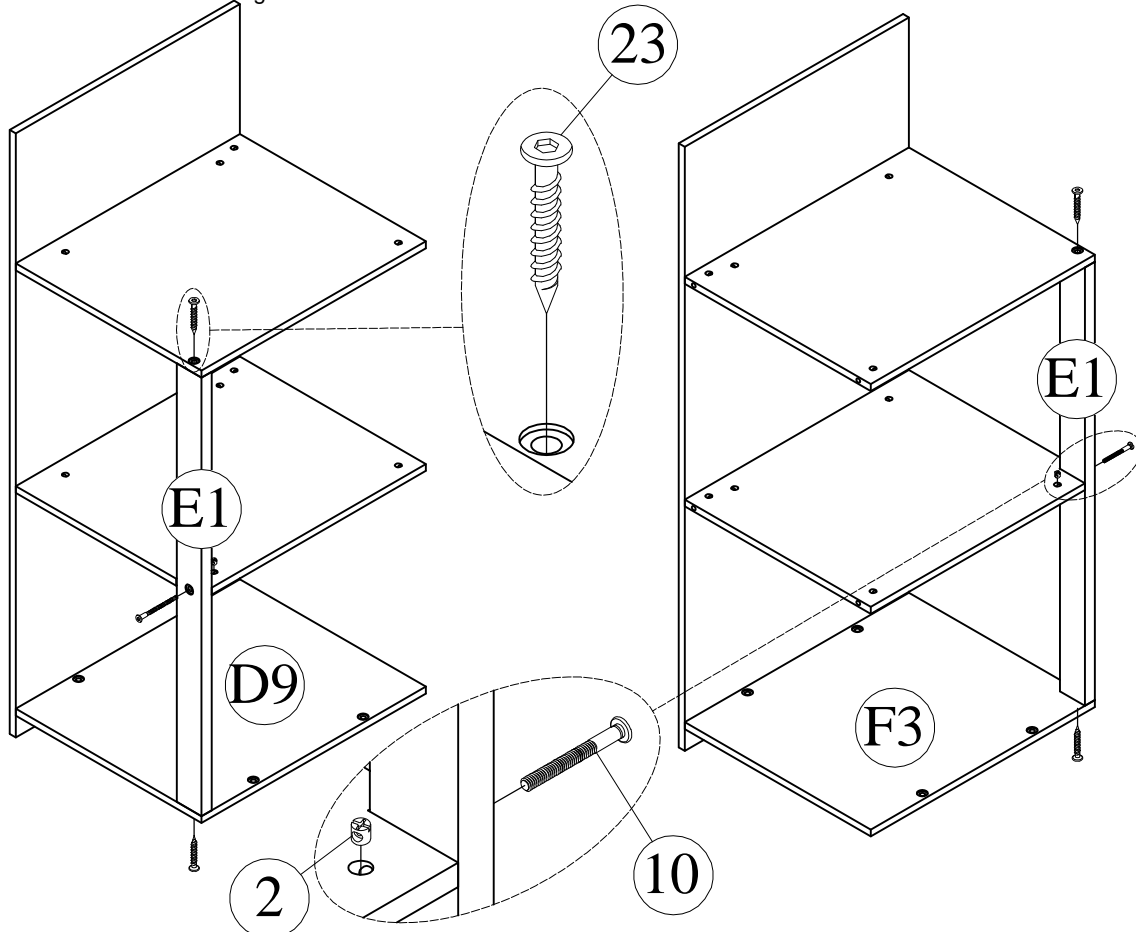





STEP25: Following below illustration.



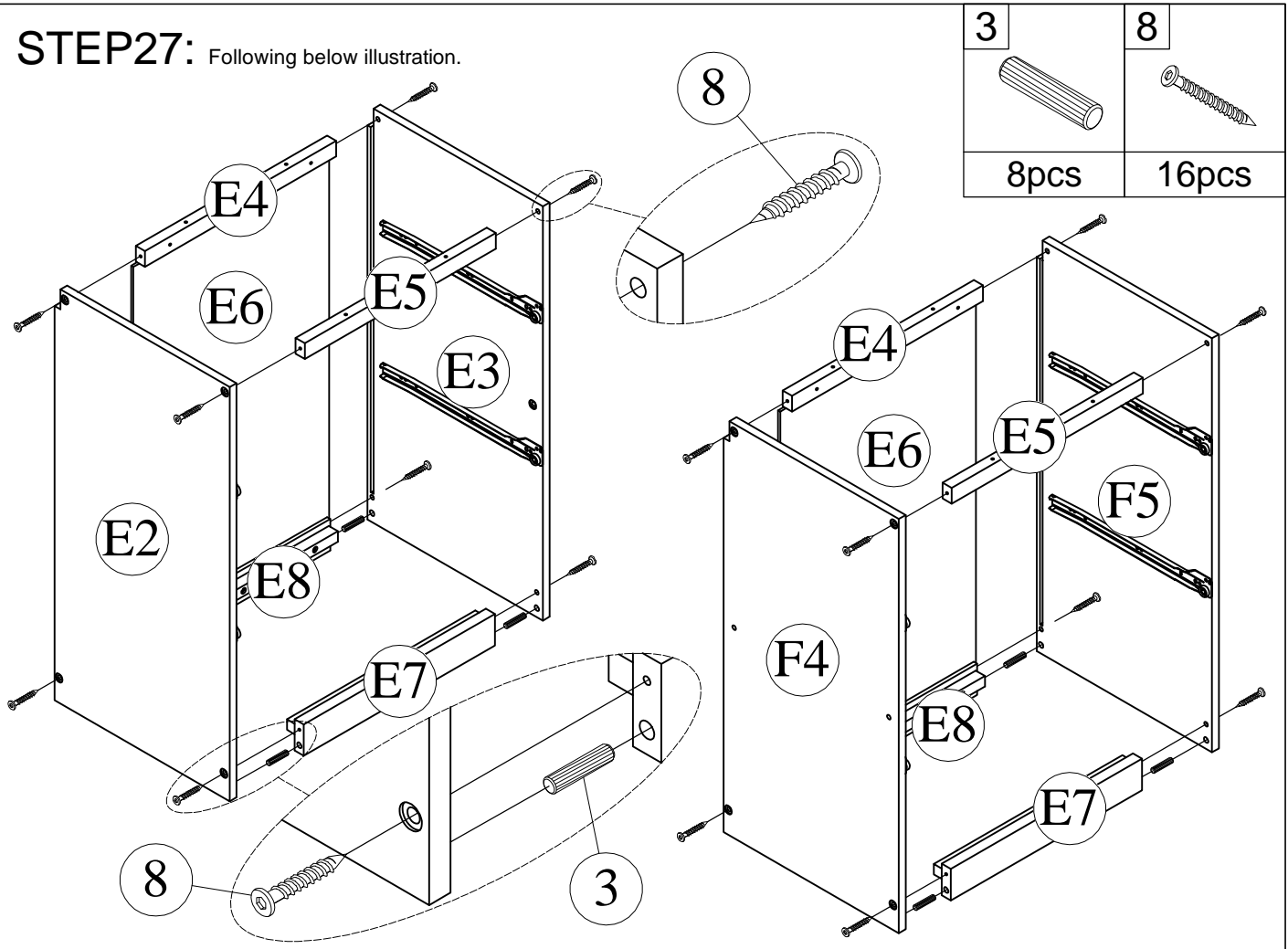
2	
8pcs	
22	
8pcs	

STEP26: Following below illustration.

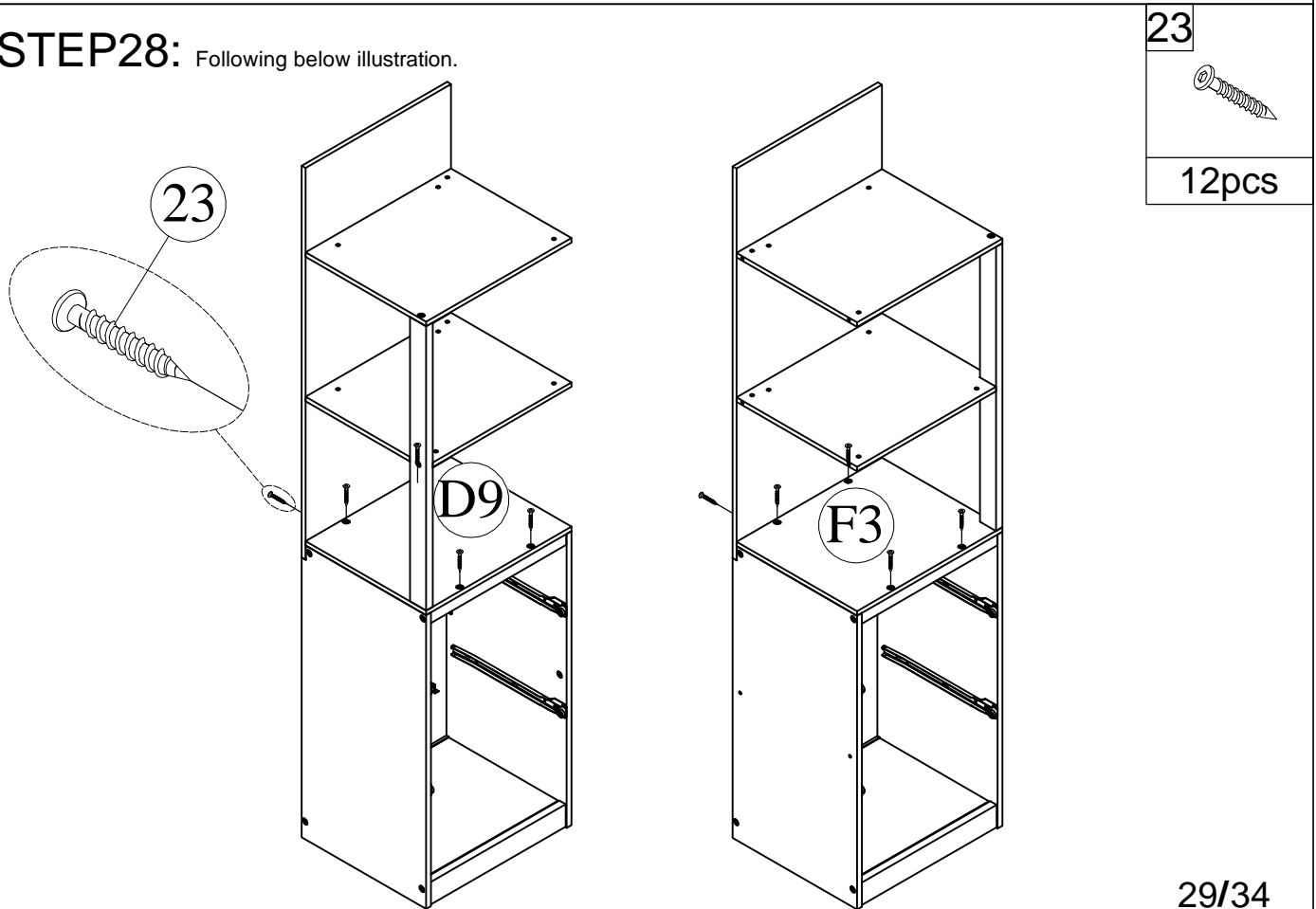


2	
2pcs	
10	
2pcs	
23	
4pcs	




STEP27: Following below illustration.

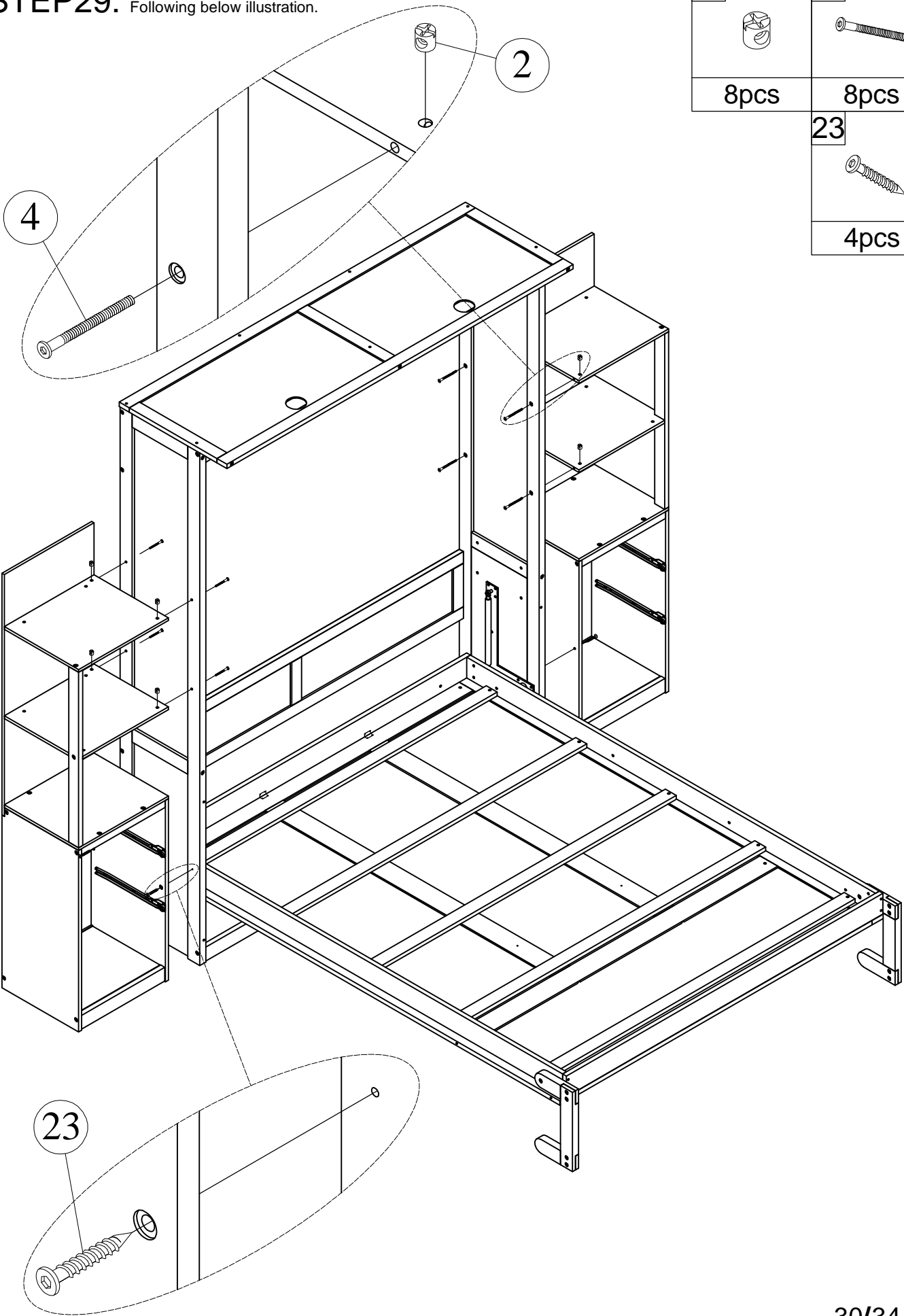


STEP28: Following below illustration.

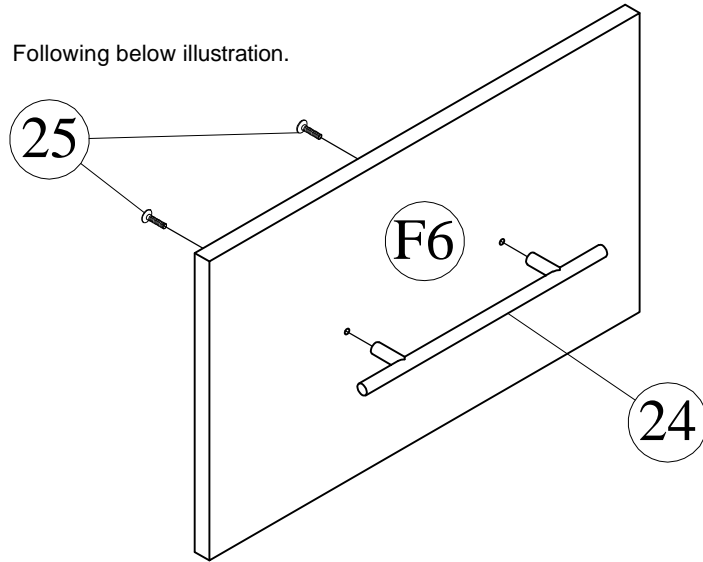


STEP29: Following below illustration.

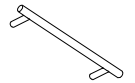
2		4	
8pcs		8pcs	
		23	
		4pcs	



STEP30:x4 Following below illustration.



24



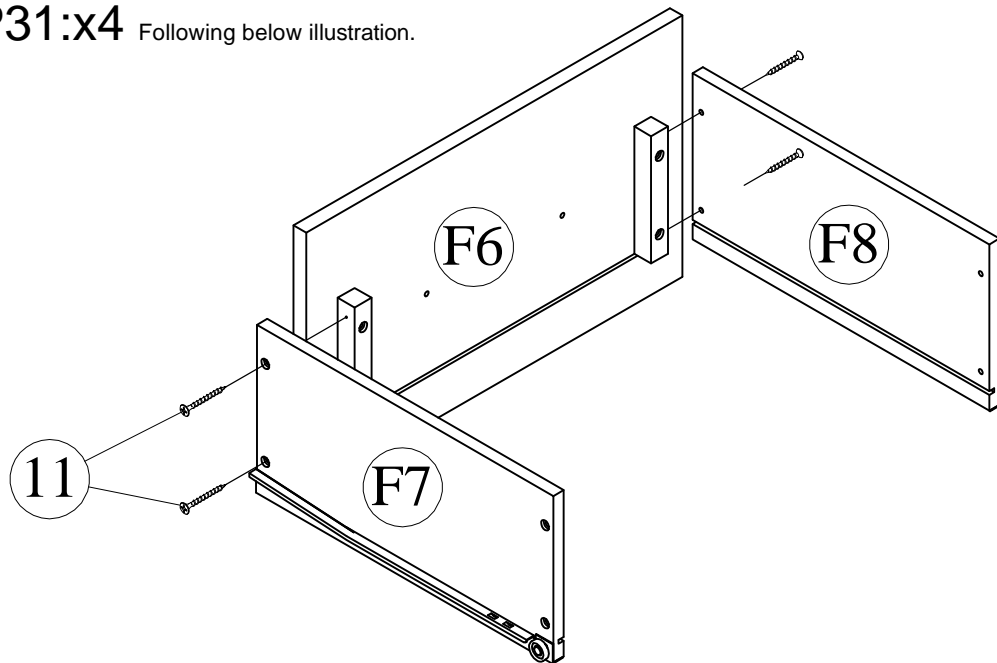
4pcs

25



8pcs

STEP31:x4 Following below illustration.

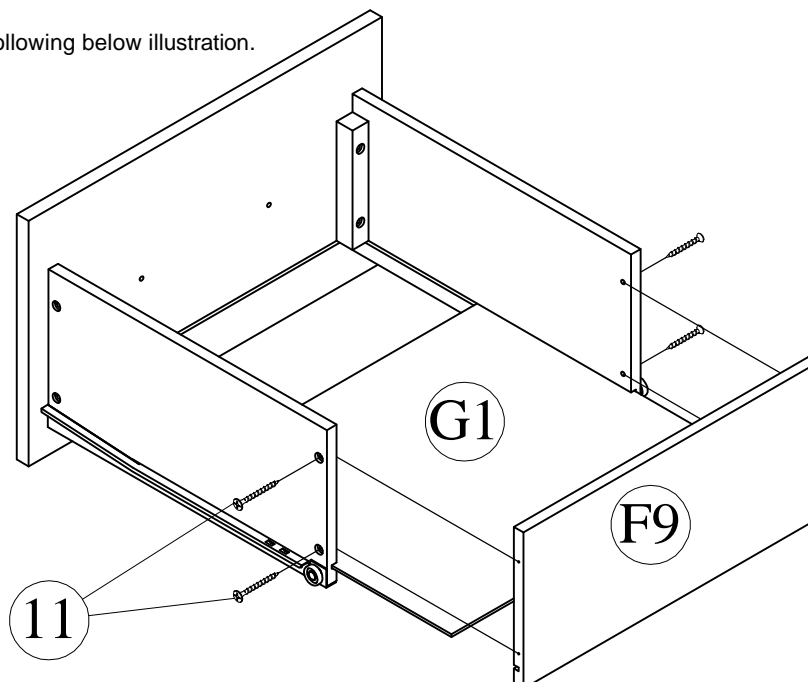


11



16pcs

STEP32:x4 Following below illustration.

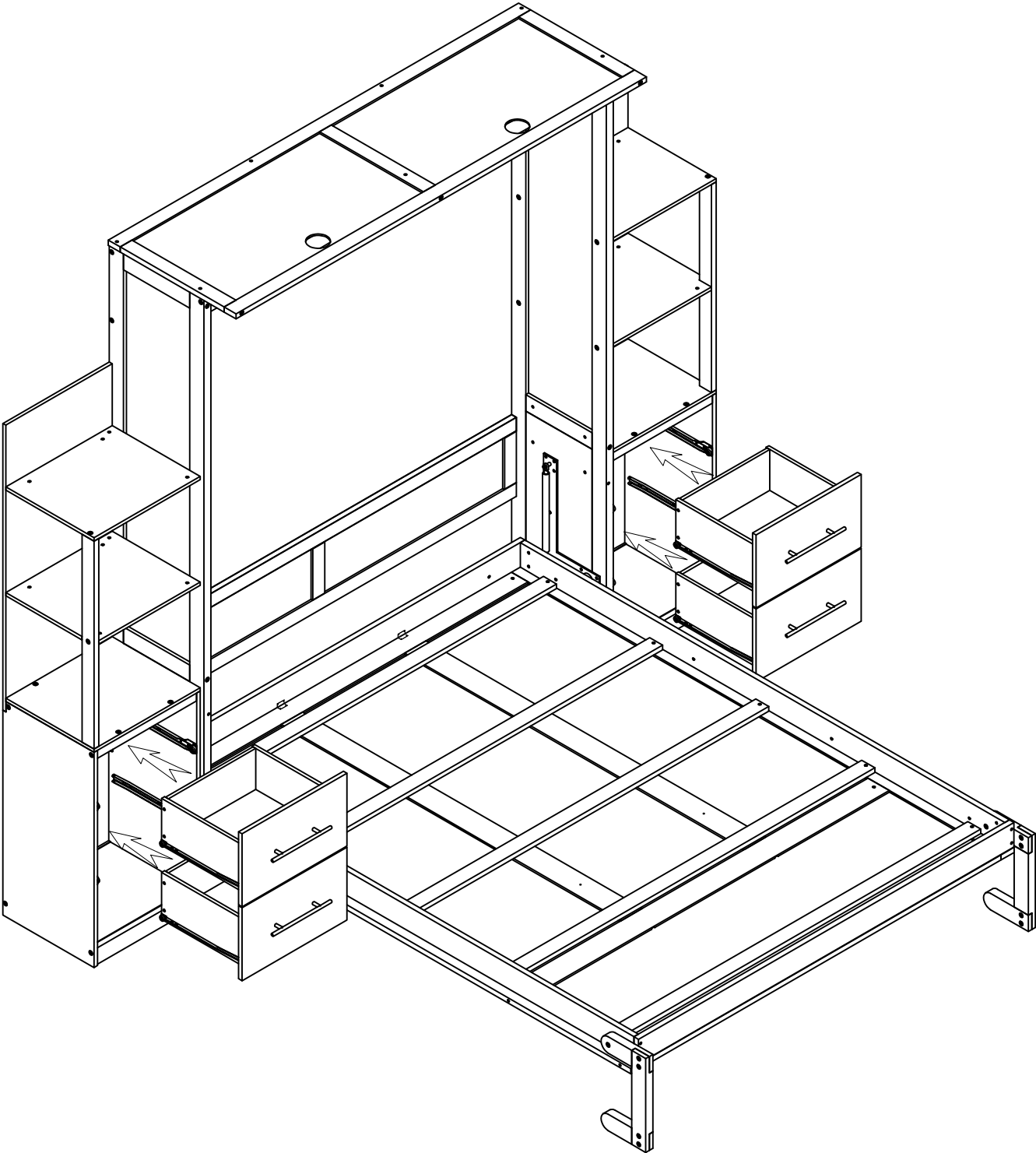


11

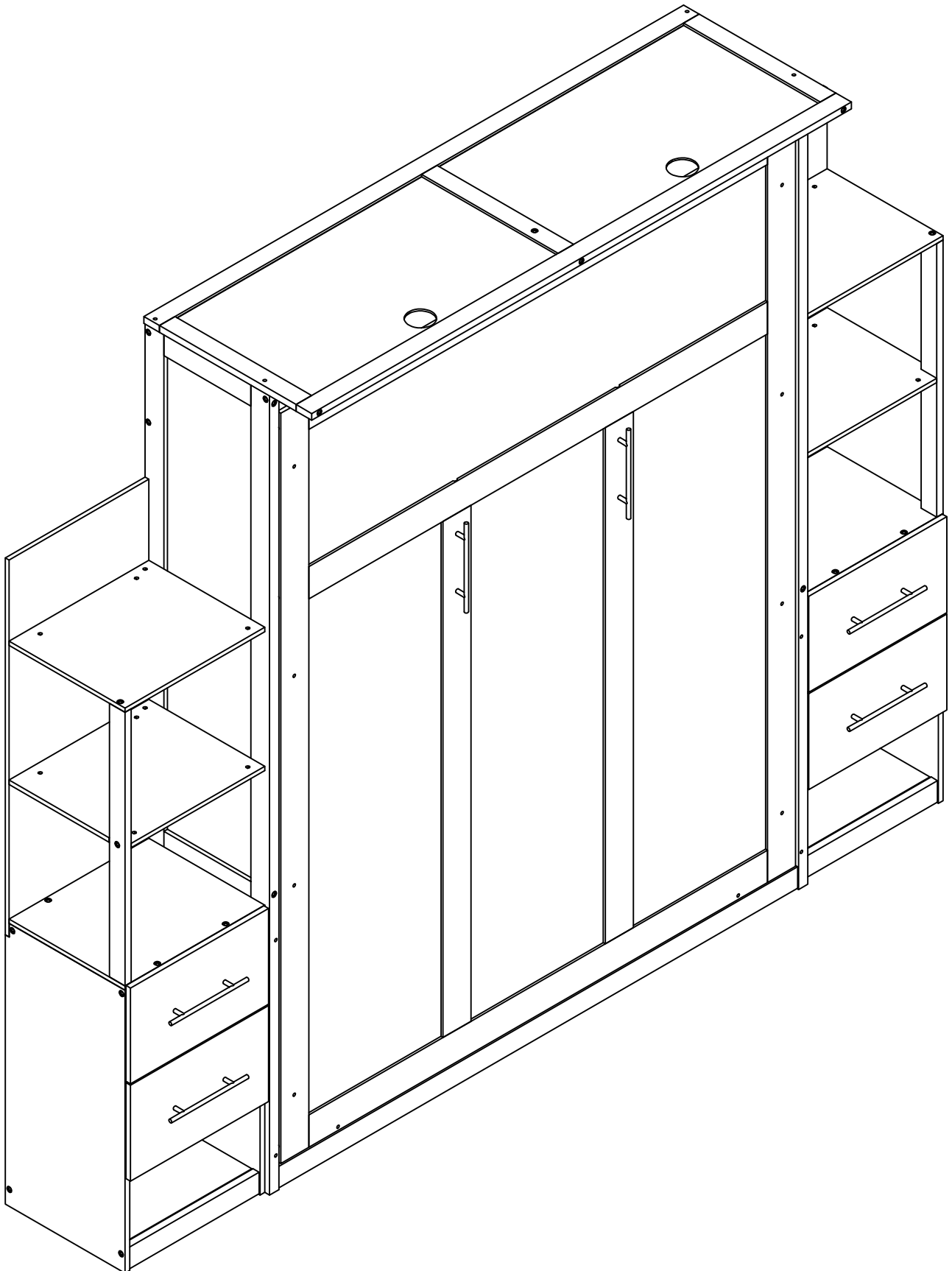


16pcs

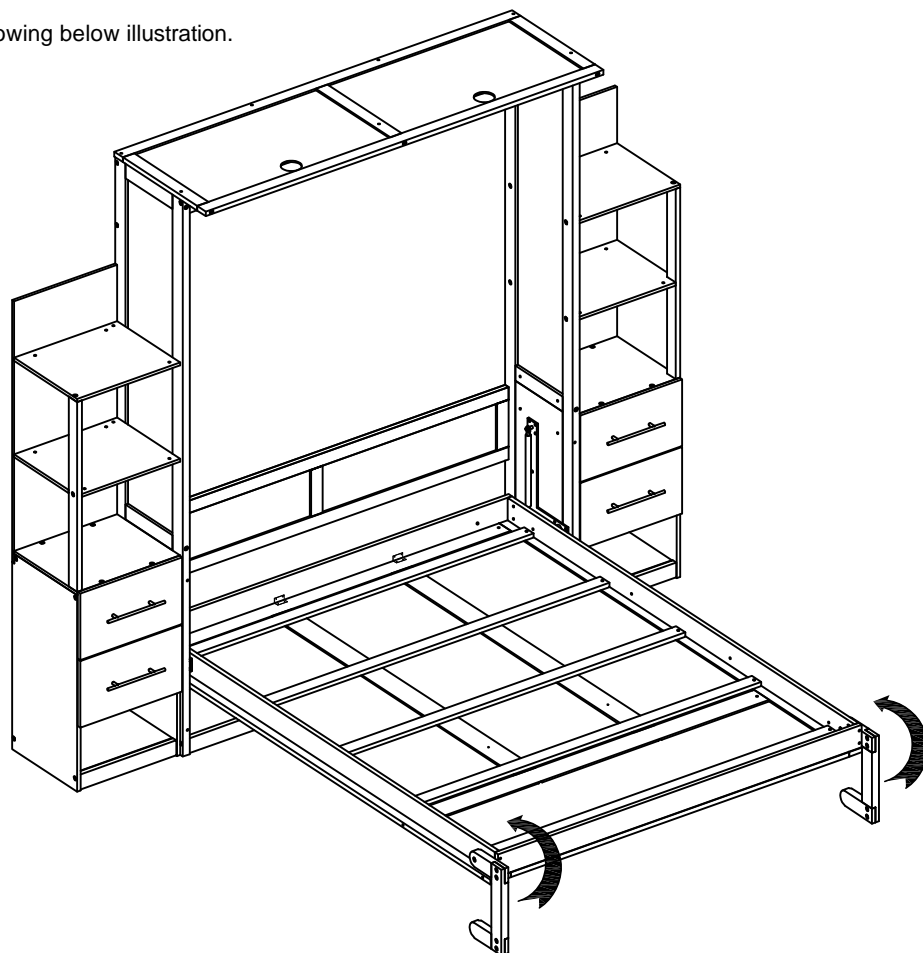
STEP33: Following below illustration.



OPTION 2



STEP34: Following below illustration.



STEP35: Following below illustration.

