

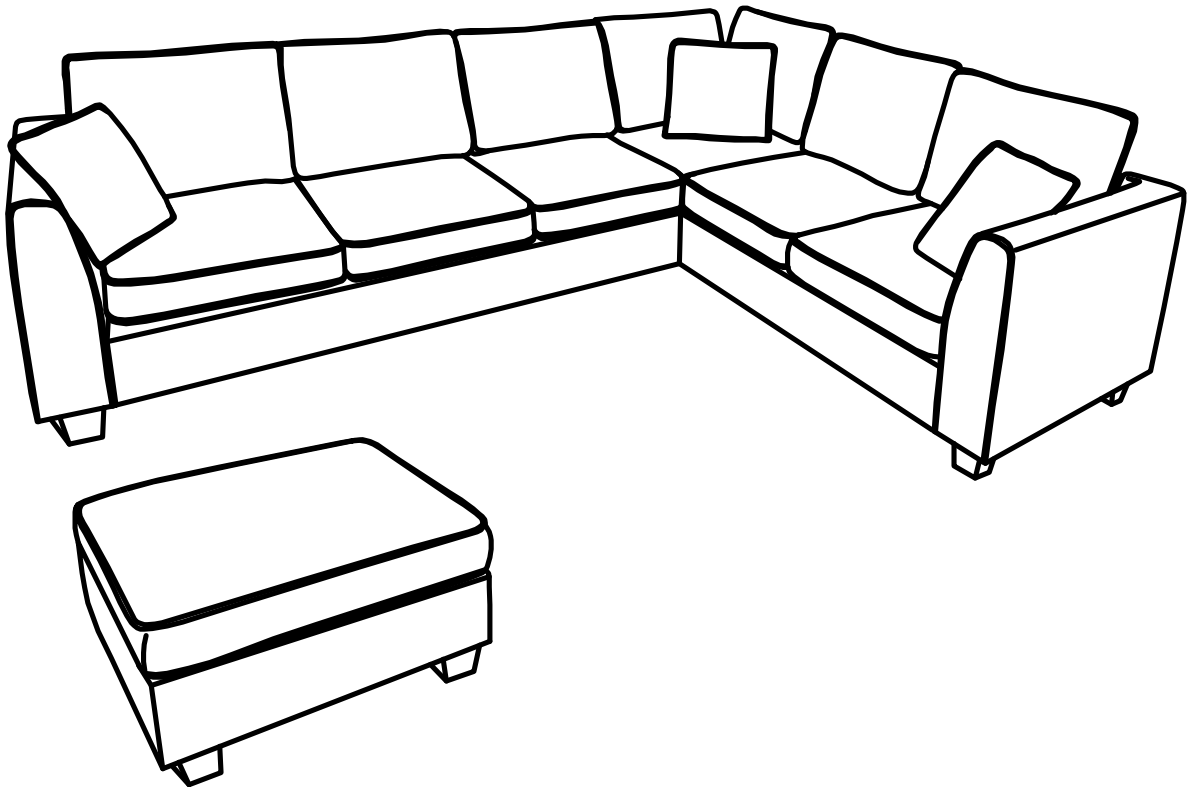
ASSEMBLY INSTRUCTION

WF315546 WF315547

WF315548

Friendly Reminder:

- 1.This sofa is packed in 3 boxes. Please assemble it After all boxes are received.
- 2.As the cushions are all vacuum compressed,there will be some wrinkles.Please give your cushions up to 72 hours to reach its original size and the wrinkles will basically disappear.
- 3.Please do not open the compressed packags until your sofa frame is completely assembled.








Return & Warranty policy:

- We strive to offer the highest quality products,and we also try our best to satisfy each and every customer that orders from us with replacement parts or service as needed.
- If the item is damaged or defective, please take photos as evidence for replacements and refunds.
- Please do not return to store,contact the seller if you have any troubles with this product.


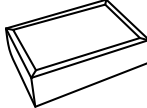


ASSEMBLY INSTRUCTION

HARDWARE


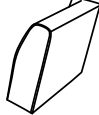

NO	DESCRIPTION	SKETCH	QTY
1	Washer		6
2	Gasket		10
3	Screws 8X25		12
4	Screws 8X45		2
5	Wrench		1

ASSEMBLY INSTRUCTION

PARTS LIST WF315546





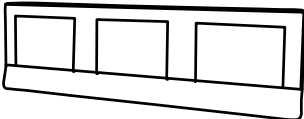




NO	DESCRIPTION	SKETCH	QTY
E	Seat cushion		6
H	Ottoman frame		1
I	Ottoman cushion		1
O	Pillow		3

PARTS LIST WF315547

NO	DESCRIPTION	SKETCH	QTY
L	Left Armrest		1
M	Right Armrest		1
N	Corner backrest		1

ASSEMBLY INSTRUCTION

PARTS LIST WF315548

NO	DESCRIPTION	SKETCH	QTY
A	Right baffle		1
B	Left baffle		1
C	Seat frame		2
D	Crossbar		2
F	Back frame		2
G	Back cushion		7
J	Leg		10
K	Middle leg		1
P	Rear leg		2

ASSEMBLY INSTRUCTION

All parts and hardwares.

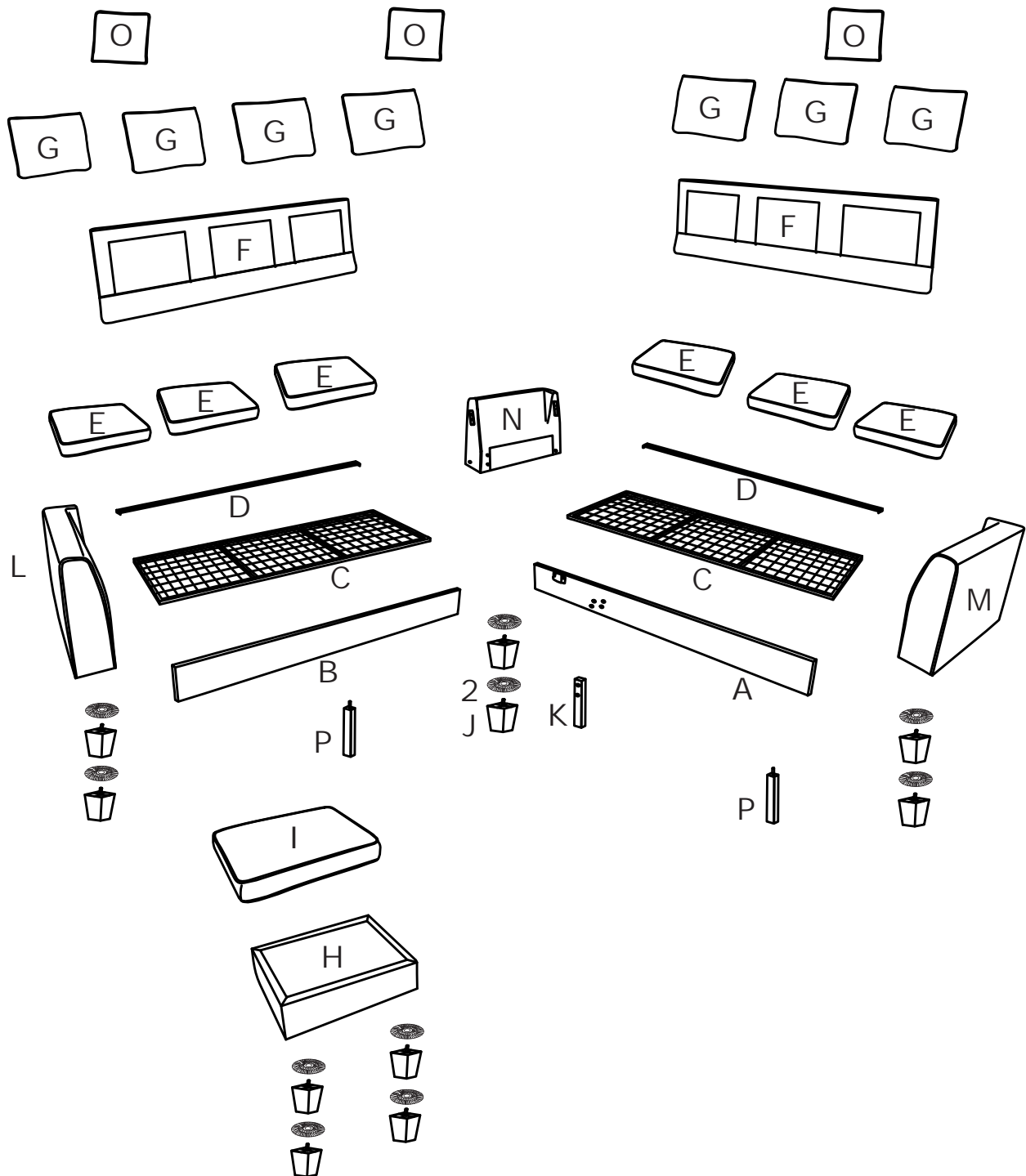


DIAGRAM 1 (Assemble the Leg)

2



6PCS

Assemble the Legs (Part J) on the Left Armrest (Part L) and Right Armrest (Part M) and Corner backrest (Part N) with Gaskets (Hardware 2) .

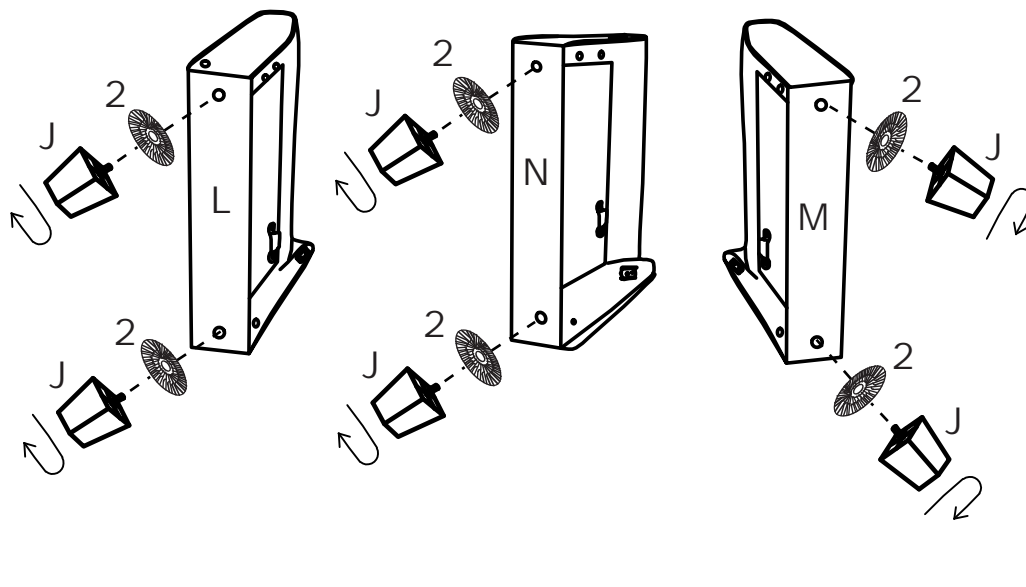


DIAGRAM 2 (Assemble the Leg)

2



4PCS

Assemble the Legs (Part J) on the Footstool frame (Part H) with Gaskets (Hardware 2) .

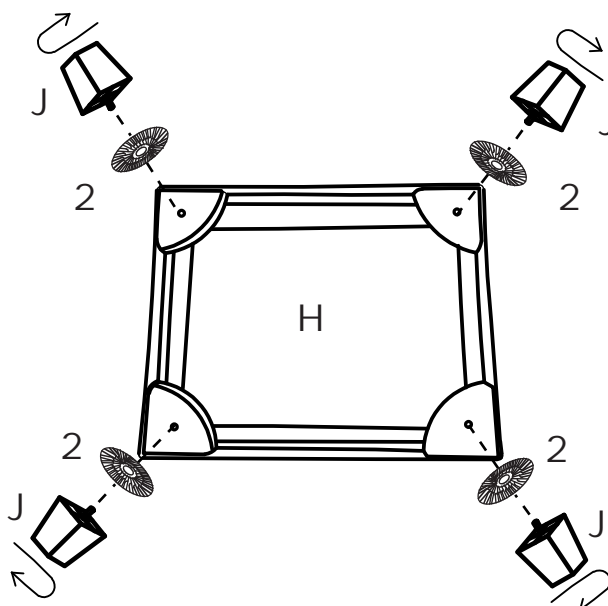



DIAGRAM 3 (Assemble the baffle)

3	 M8X25	4PCS
---	--	------

Screws (Hardware 3) in Corner backrest (Part N) and Right Armrest (Part M) to 70% tightness.

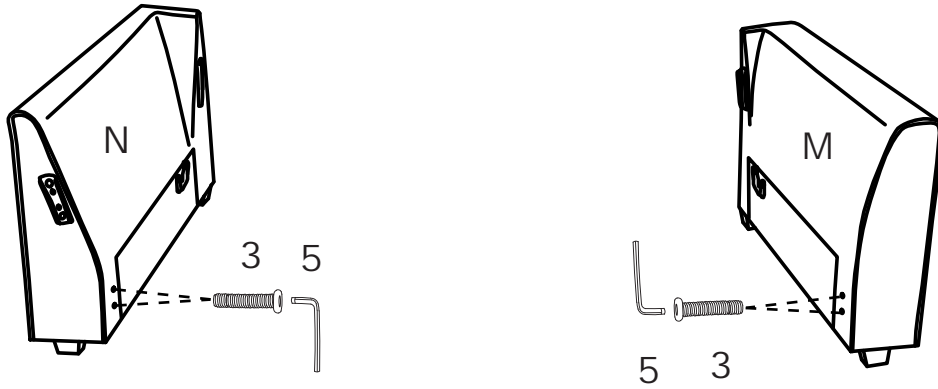


DIAGRAM 4 (Assemble the baffle)

Tighten the Screws after installing the Right baffle (Part A).

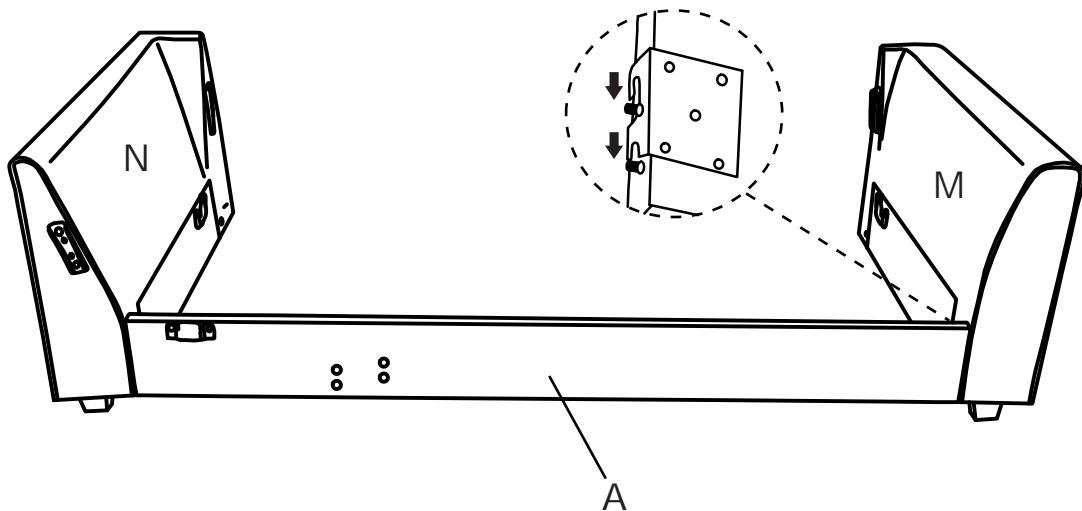




DIAGRAM 5 (Assemble the crossbar)

1		2PCS
3	 M8X25	2PCS

Mount Crossbar (Part D) at Corner backrest (Part N) and Right Armrest (Part M) with Screws (Hardware 3) and Washers (Hardware 1).

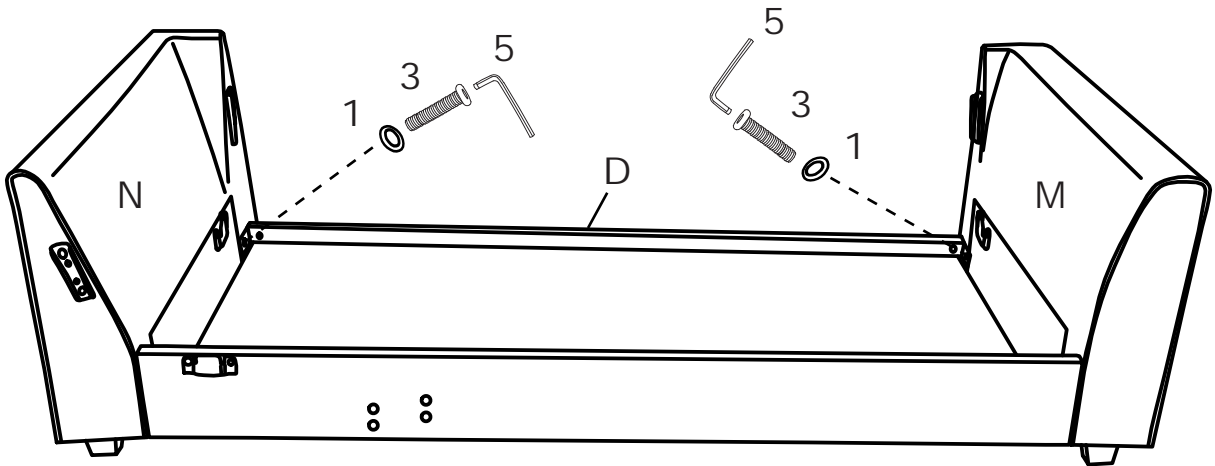


DIAGRAM 6 (Assemble the Rear leg)

Install the Rear leg (Part P) under the back of the Seat frame (Part C).

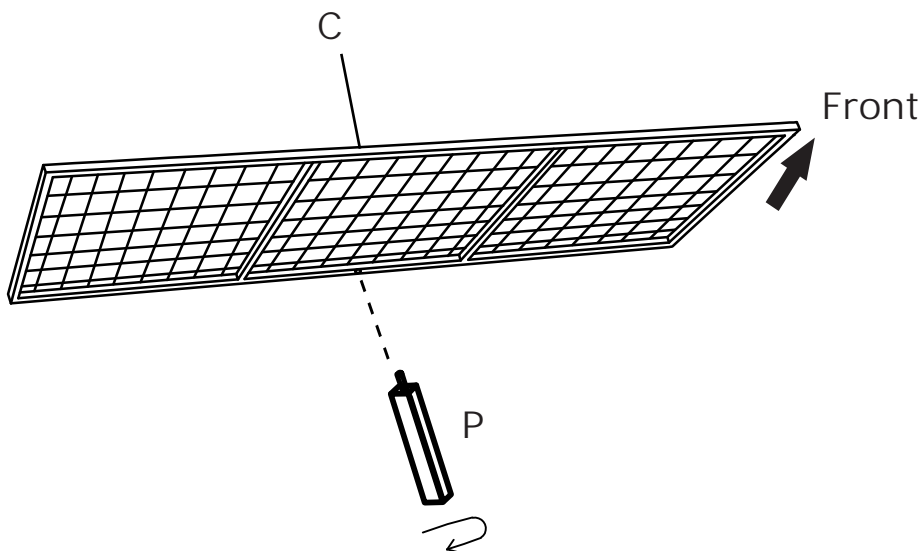


DIAGRAM 7 (Assemble the Seat frame)

Align both inserts downward to install Seat frame (Part C).

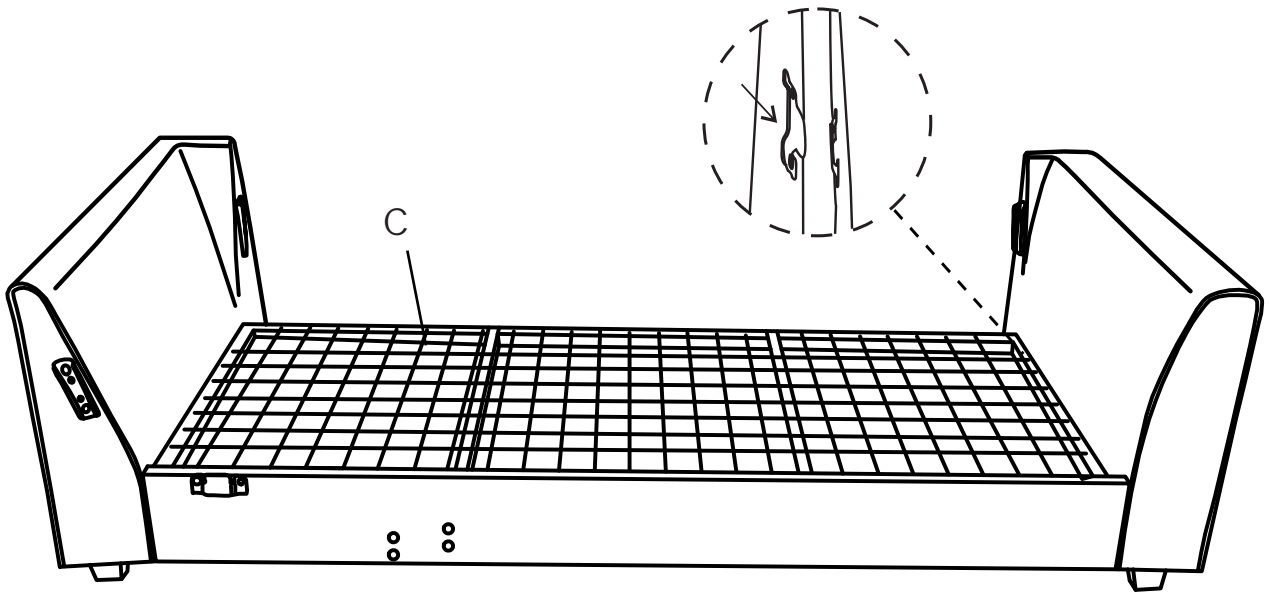


DIAGRAM 8 (Assemble the Back frame)

Align both inserts downward to install Back frame (Part F).

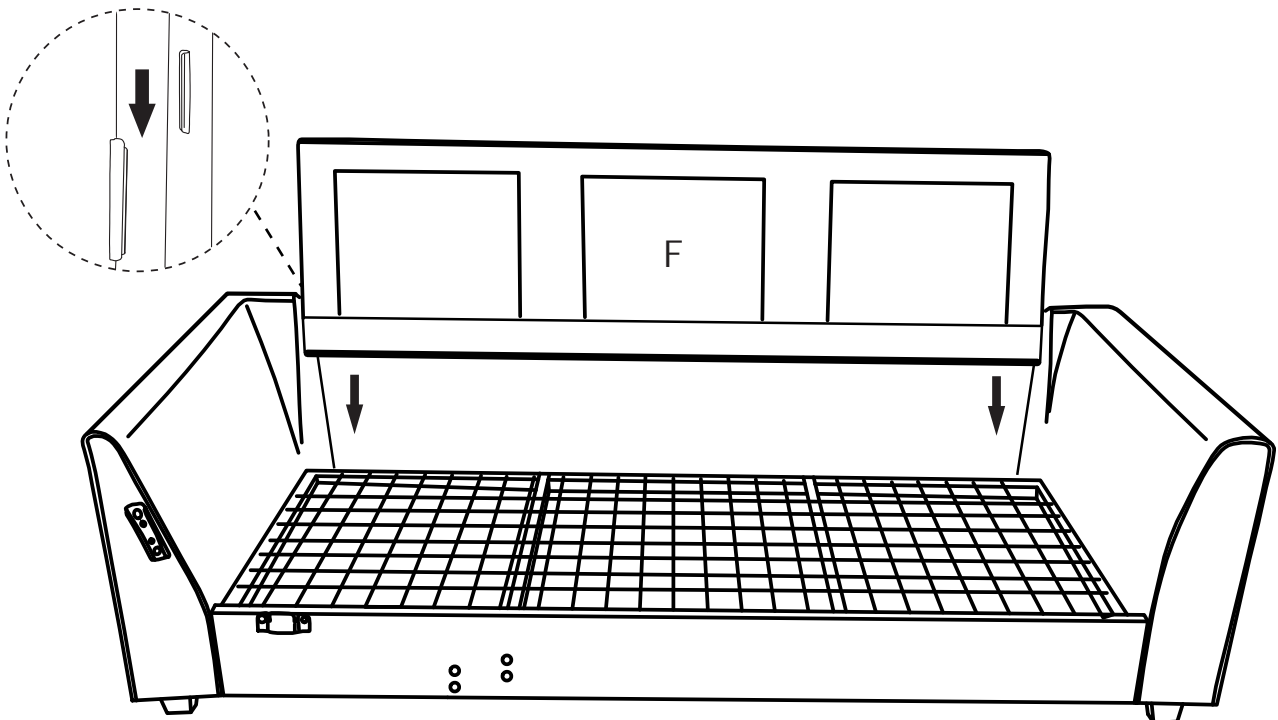




DIAGRAM 9 (Assemble the Middle leg)

1		2PCS
4	 M8X45	2PCS

Installation of Middle leg (Part K) with Screws (Hardware 4) and Washers (Hardware 1).

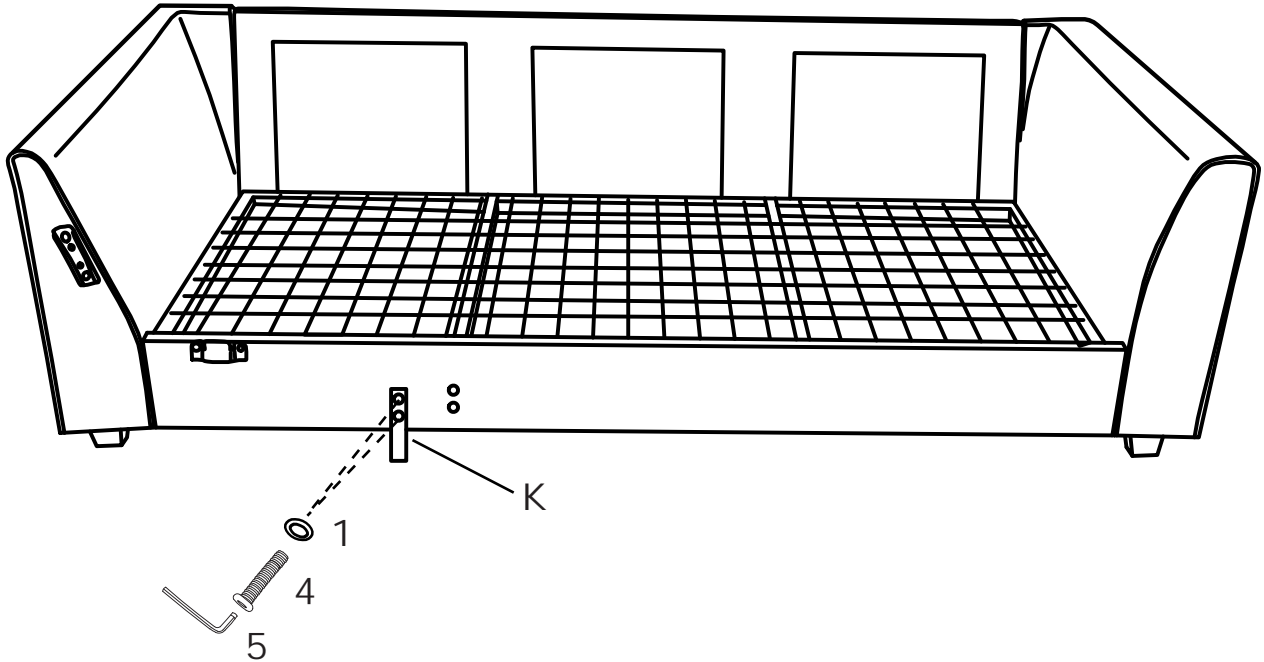



DIAGRAM 10 (Assemble the baffle)

3	 M8X25	4PCS
---	--	------

Screws (Hardware 3) in Left Armrest (Part L) and Right baffle (Part A) to 70% tightness.

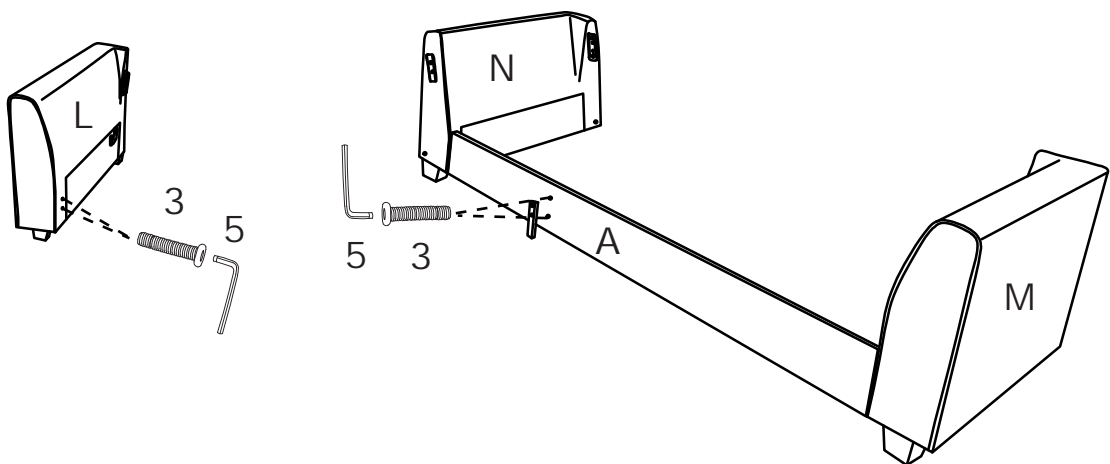


DIAGRAM 1 1 (Assemble the baffle)

Tighten the screws after installing the Left baffle (Part B).

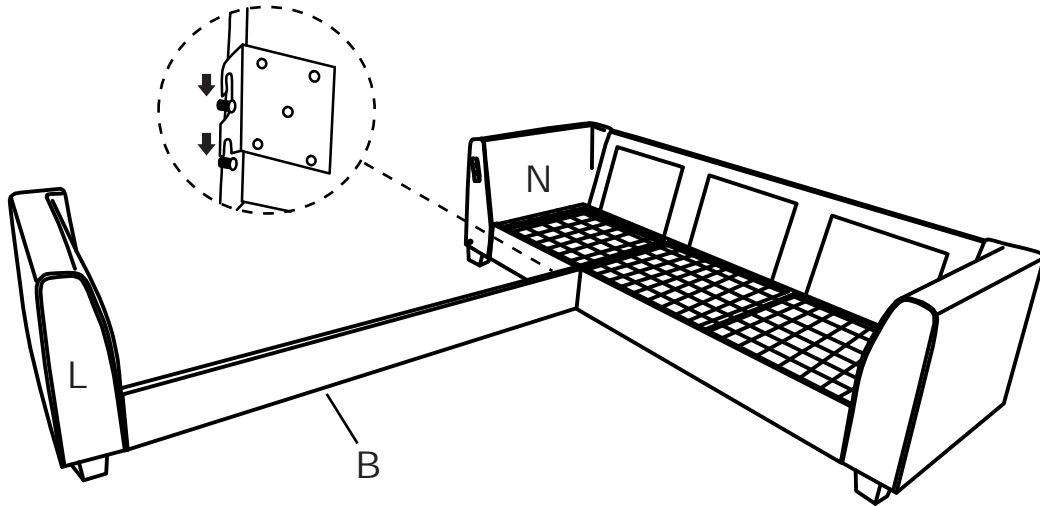
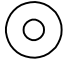



DIAGRAM 1 2 (Assemble the Crossbar)

1		2PCS
3	 M8X25	2PCS

Mount Crossbar (Part D) at Left Armrest (Part L) and Corner backrest (Part N) with Screws (Hardware 3) and Washers (Hardware 1).

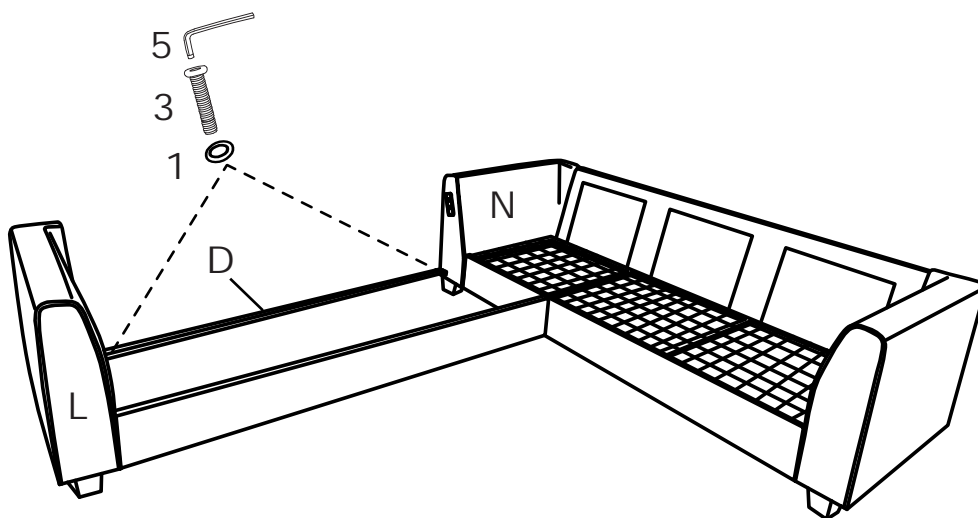


DIAGRAM 1 3 (Assemble the Rear leg)

Install the Rear leg (Part P) under the back of the Seat frame (Part C).

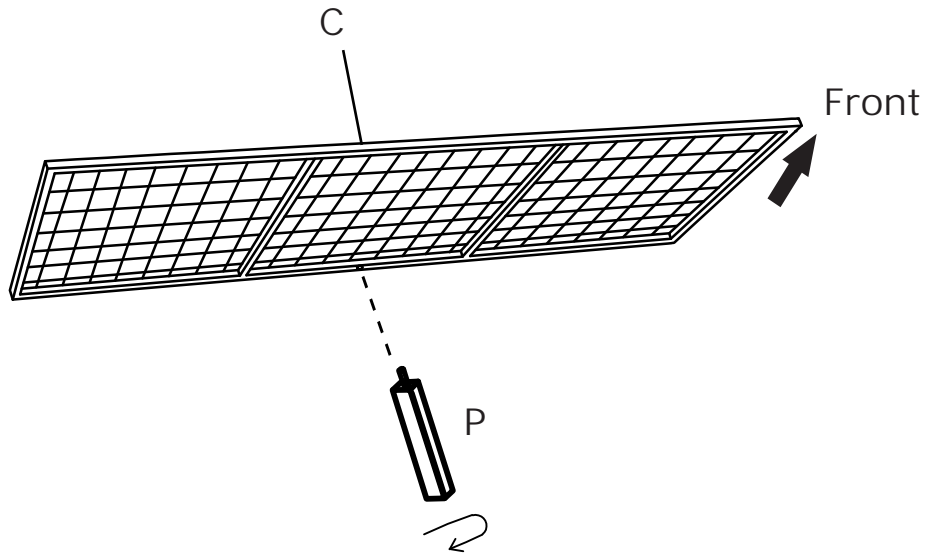


DIAGRAM 1 4 (Assemble the Seat frame)

Align both inserts downward to install Seat frame (Part C).

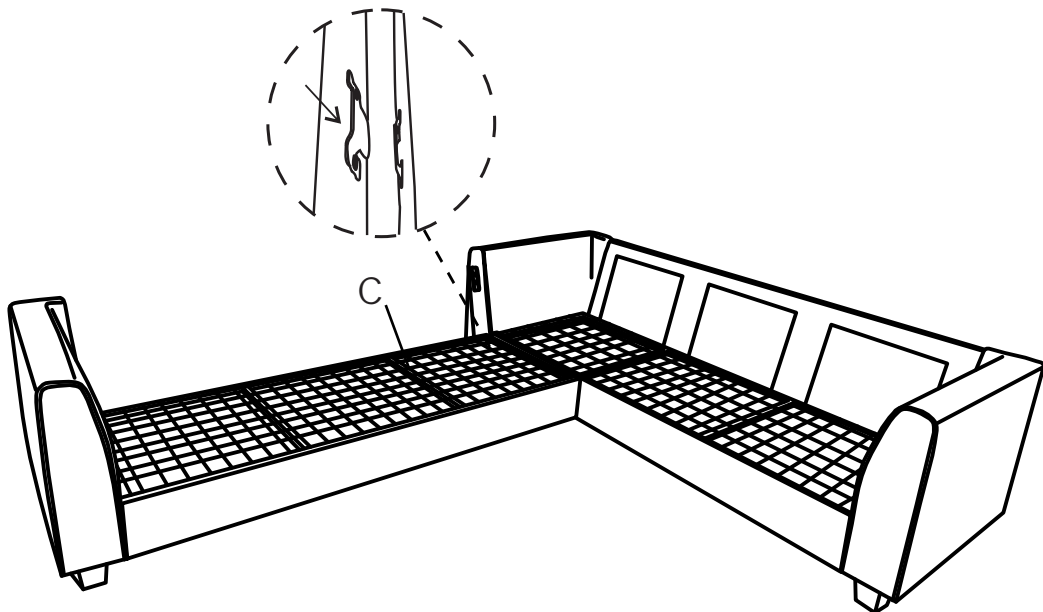


DIAGRAM 1 5 (Assemble the Back frame)

Align both inserts downward to install Back frame (Part F).

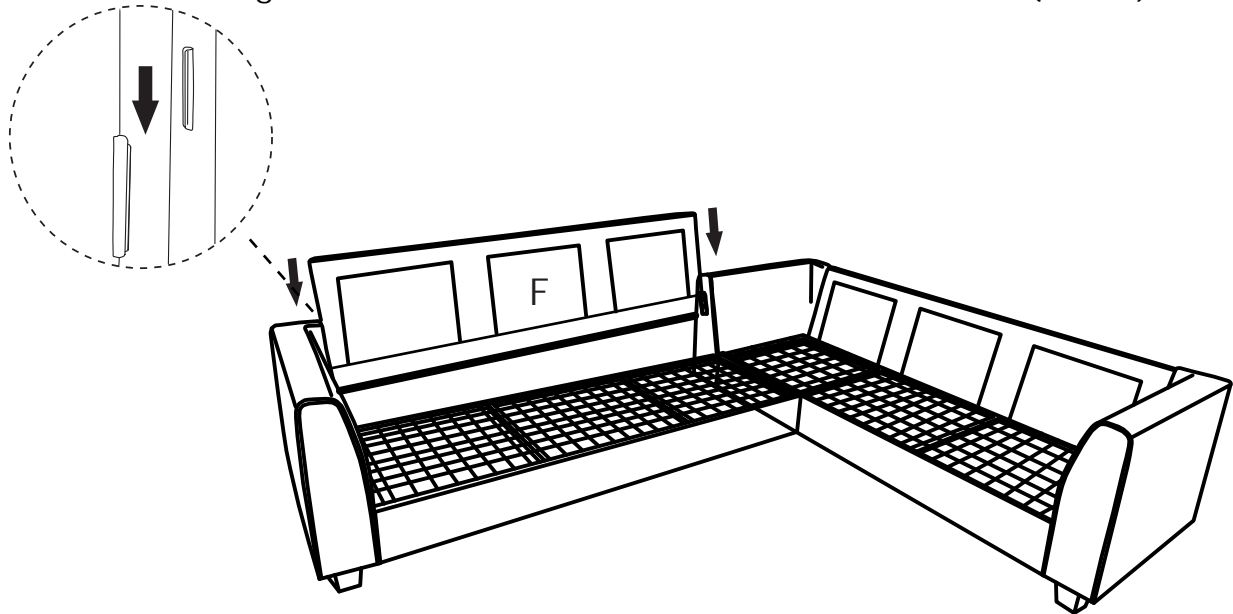
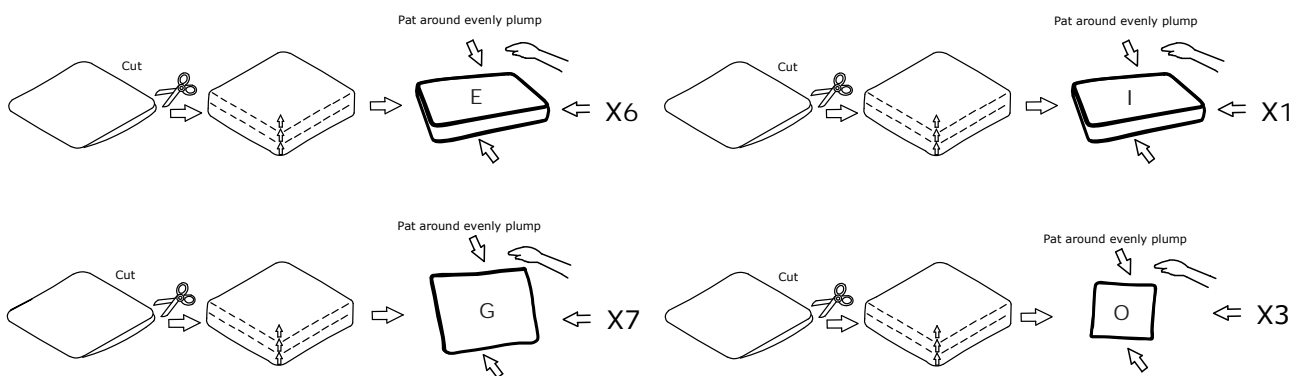


DIAGRAM 1 6(Removal of compression bags)

Remove the Seat cushion (Part E) the Back cushion (Part G) the Ottoman cushion (Part I) the Pillow (Part O).



TIPS

1. Please do not open the compressed packages until your sofa frame is completely assembled.
2. Compressed back cushions and pillows need to be fully fulfilled within 72 hours for your perfect use.
3. Please keep children away from plastic bags or any small pieces of stuff.

DIAGRAM 1 7 (Put the Ottoman cushion)

Place the Ottoman cushion (Part I) on the Ottoman frame (Part H).

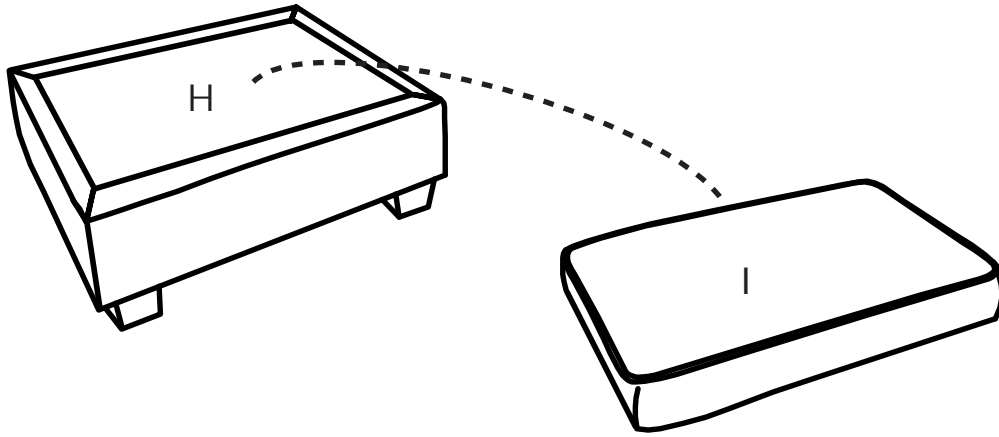
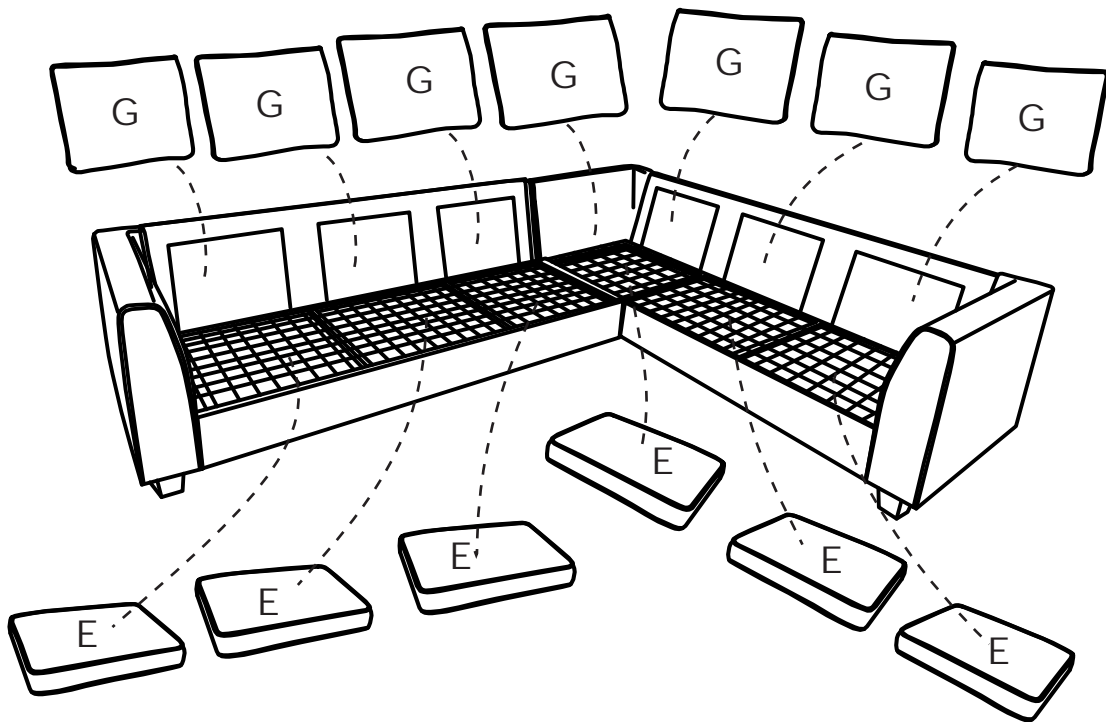


DIAGRAM 1 8 (Put the cushion)

Place the Back cushion (Part G) and Seat cushion (Part E) on the sofa.



TIPS:

1. Please do not open the compress packaging until your sofa frame is completely assembled.
2. Compress back cushions and pillows need to be fully fulfilled within 72 hours for your perfect use.
3. Please keep children away from plastic bags or any small pieces of stuff.

