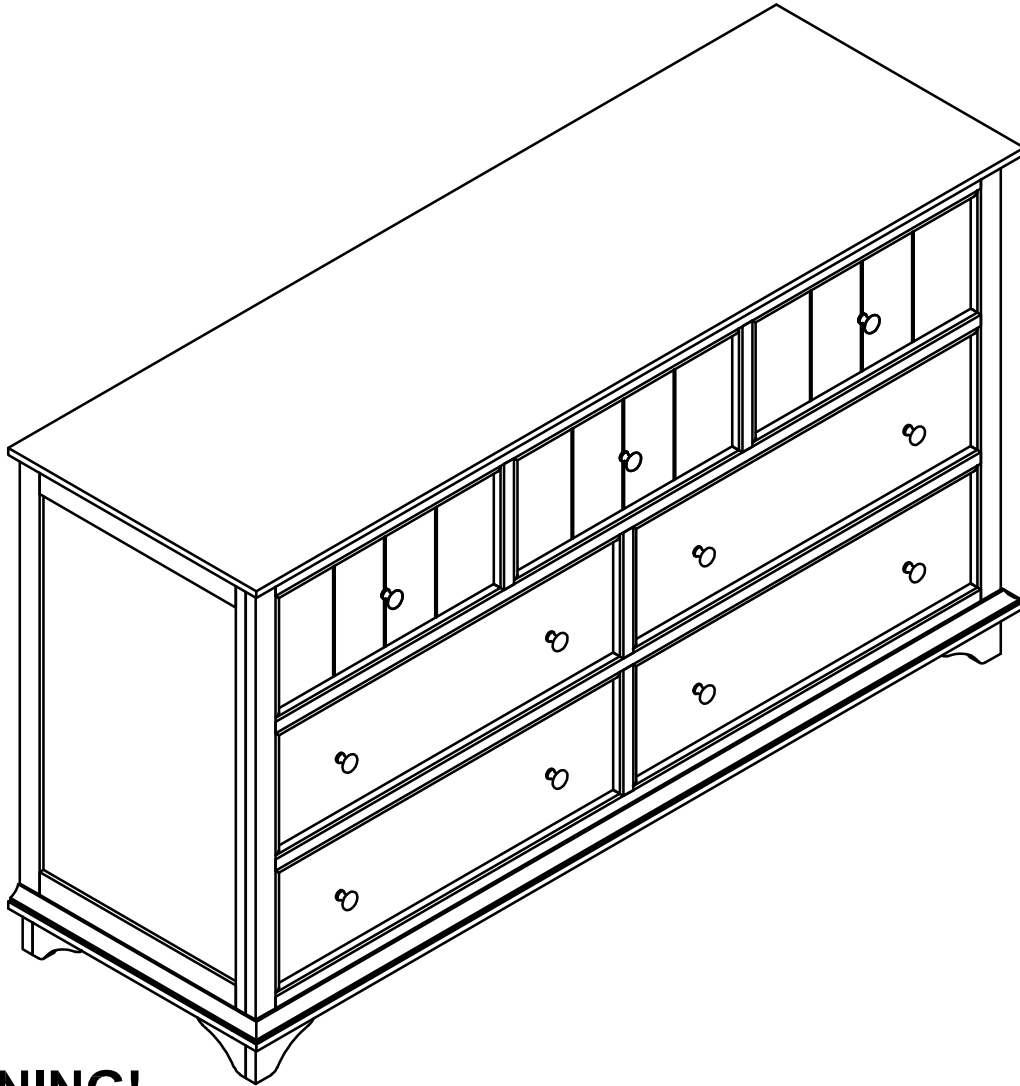


# ASSEMBLY INSTRUCTION

SKU CODE: (WF317050)



## **⚠ WARNING!**

SUFFOCATION HAZARD-FOR CHANGER UNIT

BABIES HAVE SUFFOCATED WHILE SLEEP ON CHANGING TRAYS.  
CHANGING TRAYS ARE NOT DESIGNED FOR SAFE SLEEPING.

- . Never allow baby to sleep on changing pad.

## **⚠ WARNING!**

FALL HAZARD-CHANGER UNIT

CHILDREN HAVE SUFFERED SERIOUS INJURIES AFTER FALLING  
FROM CHANGING AREAS. FALLS CAN HAPPEN QUICKLY.

- . Stay within arms' reach of your child

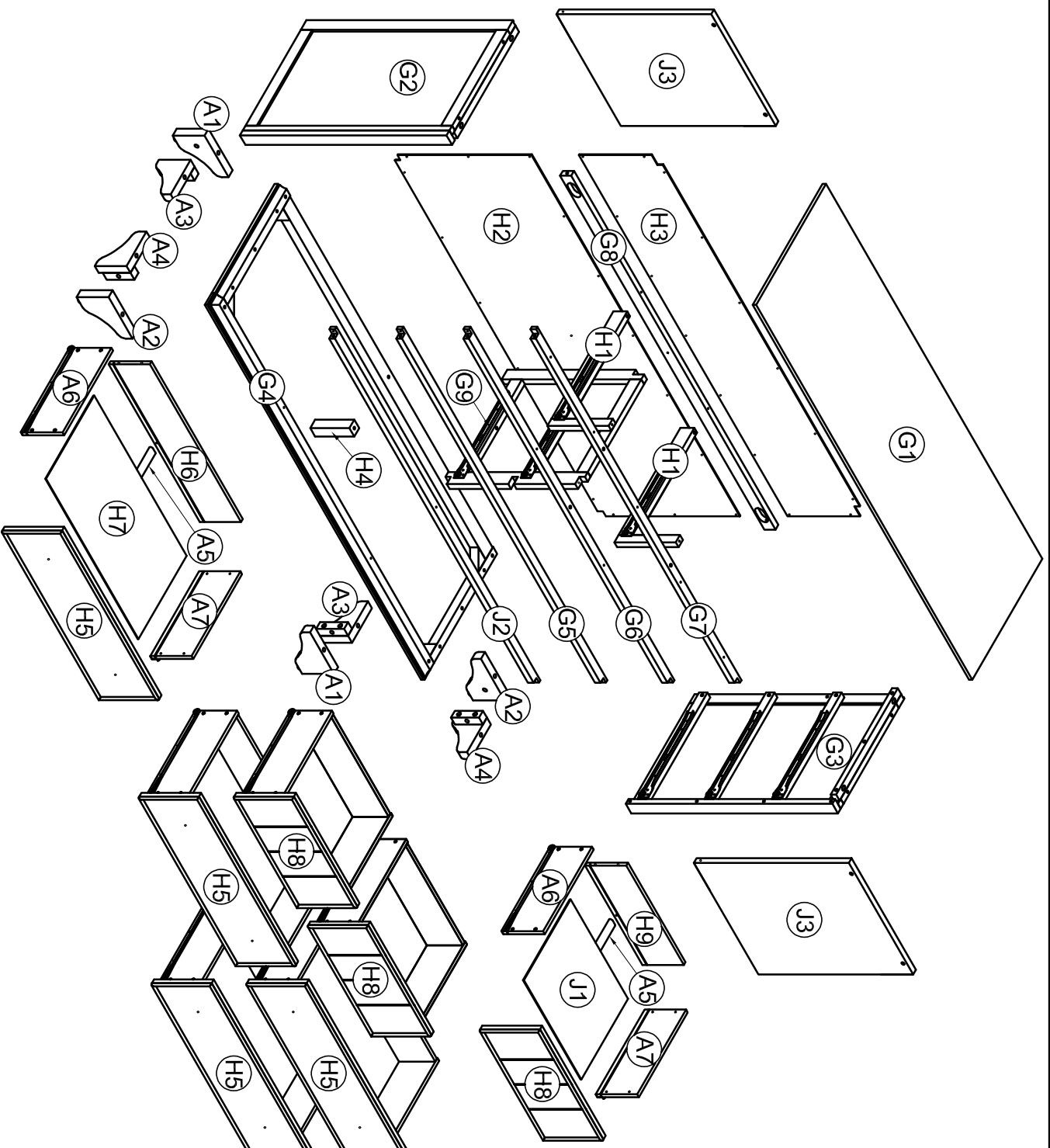
**ALWAYS** secure this [unit/pad] to the support  
[surface/ frame] by (manufacturer's instructions for  
securing the changing unit/pad). See instructions.

- . Never leave the child unattended.
- . Keep the child in view while child is in the changing table.
- . Can only retain child with weight up to 30 lbs.
- . Changing Pad size: 34-1/4" W x 16" D x 1" H.

Parents should ensure a safe environment for their children by checking  
the furniture regularly before placing children in the products. Please  
make sure every component is properly and securely in place.

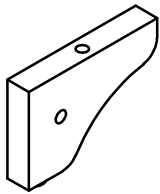
Periodically check for loose or worn parts, tighten, repair, or replace as  
needed

# ASSEMBLY INSTRUCTION



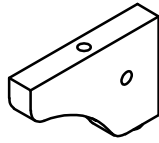
# Part List (WF317050)

A1



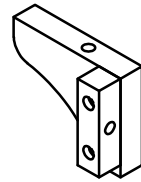
Leg- 2pcs

A2



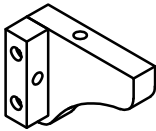
Leg- 2pcs

A3



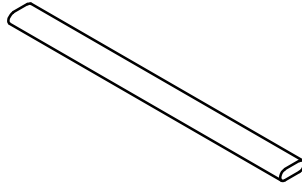
Leg- 2pcs

A4



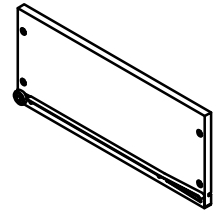
Leg- 2pcs

A5



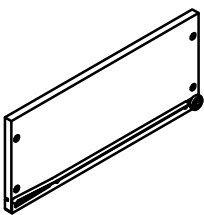
WoodBar-7pcs

A6



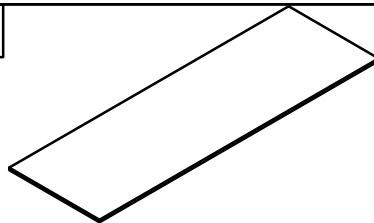
Drawer Left-7pc

A7



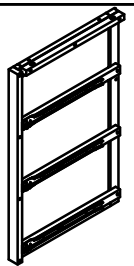
Drawer Right-7pc

G1



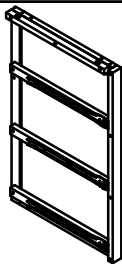
Top Panel-1pc

G2



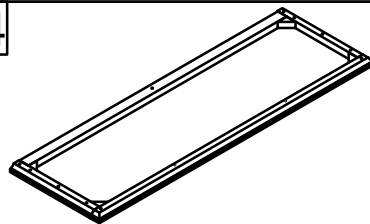
Left frame- 1pc

G3



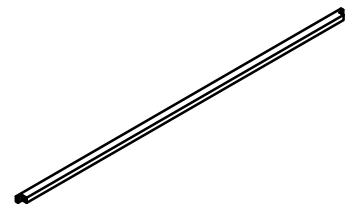
Right frame- 1pc

G4



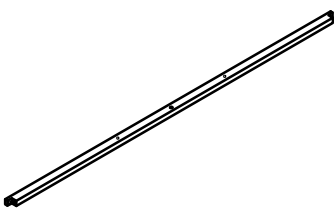
Bottom frame- 1pc

G5



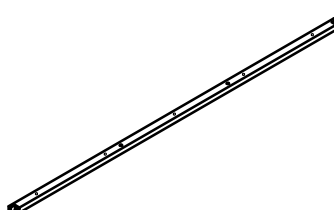
WoodBar-1pc

G6



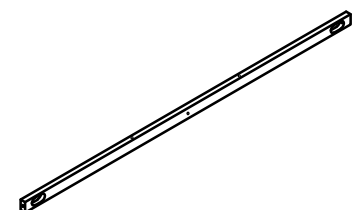
WoodBar-1pc

G7



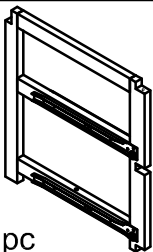
WoodBar-1pc

G8



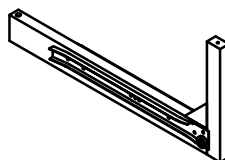
WoodBar-1pc

G9



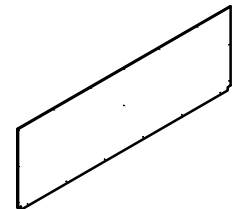
Center frame- 1pc

H1



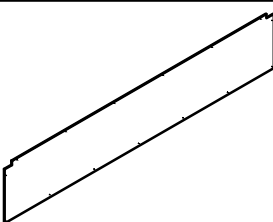
WoodBar-2pcs

H2



Back panel-1pc

H3



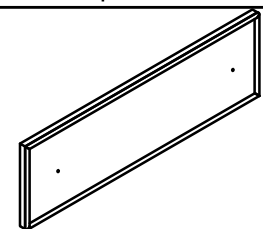
Back panel-1pc

H4



Bottom Support Leg- 1pc

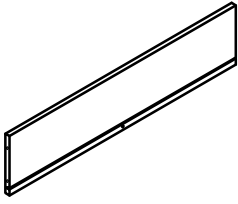
H5



Drawer front -4pcs

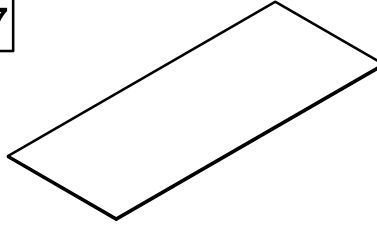
# Part List (WF317050)

H6



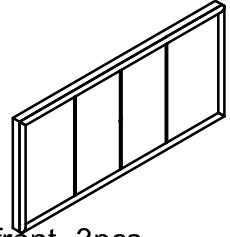
Drawer Rear-4pcs

H7



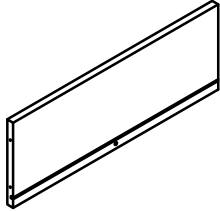
Drawer Bottom Panels-4pcs

H8



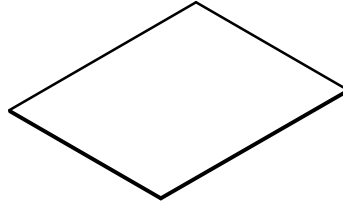
Drawer front -3pcs

H9



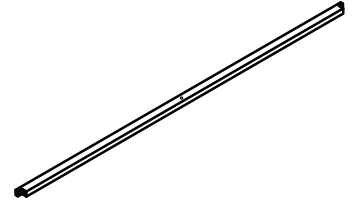
Drawer Rear-3pcs

J1



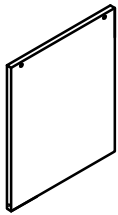
Drawer Bottom Panels-3pcs

J2





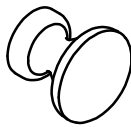
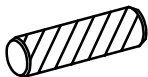


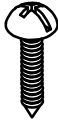

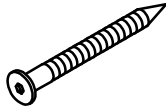



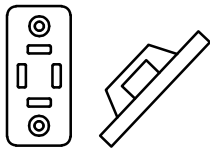

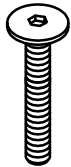


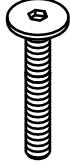
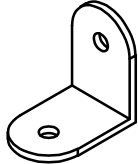
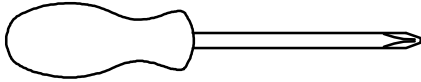
WoodBar-1pc

J3

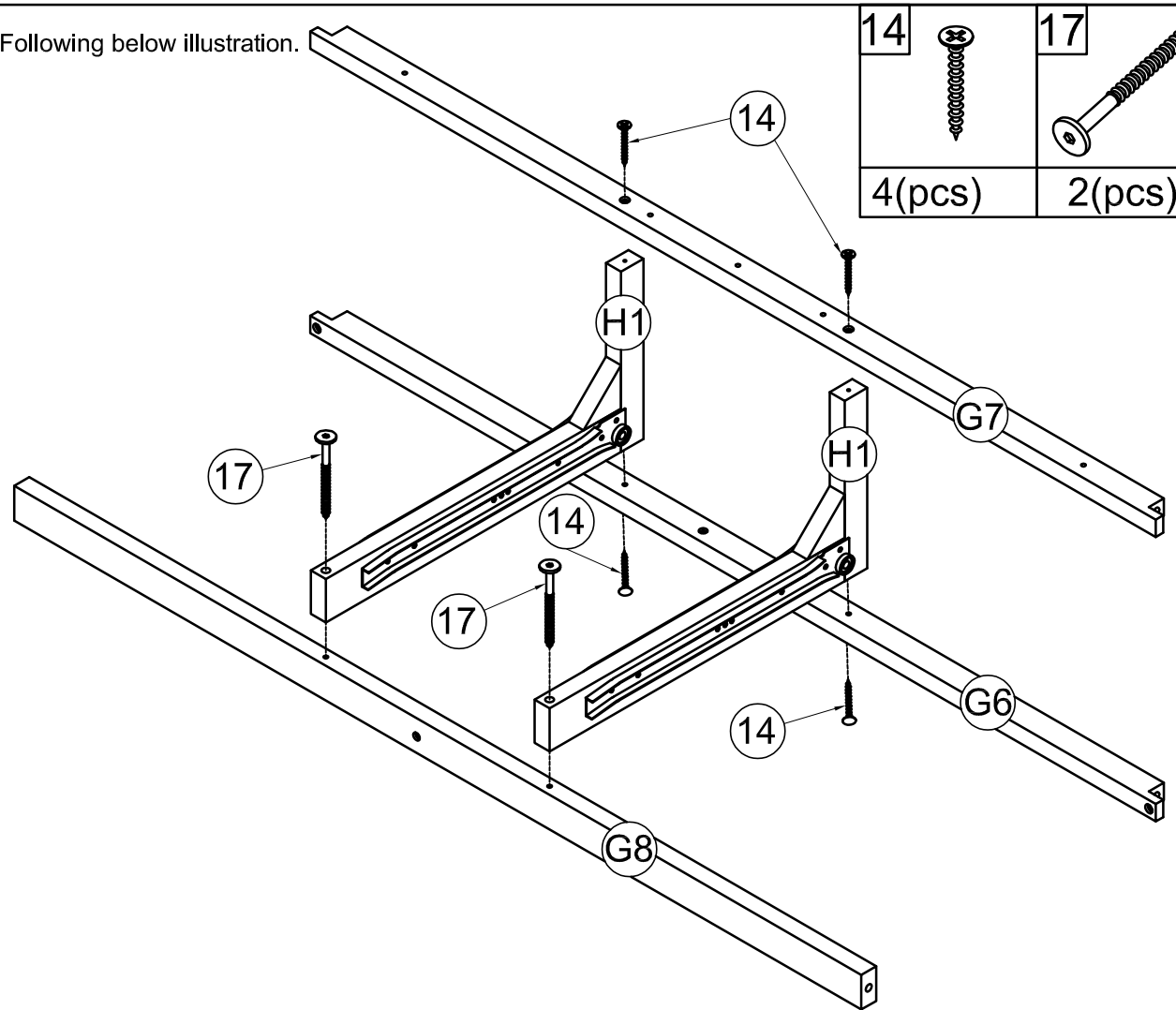


Panels-2pcs

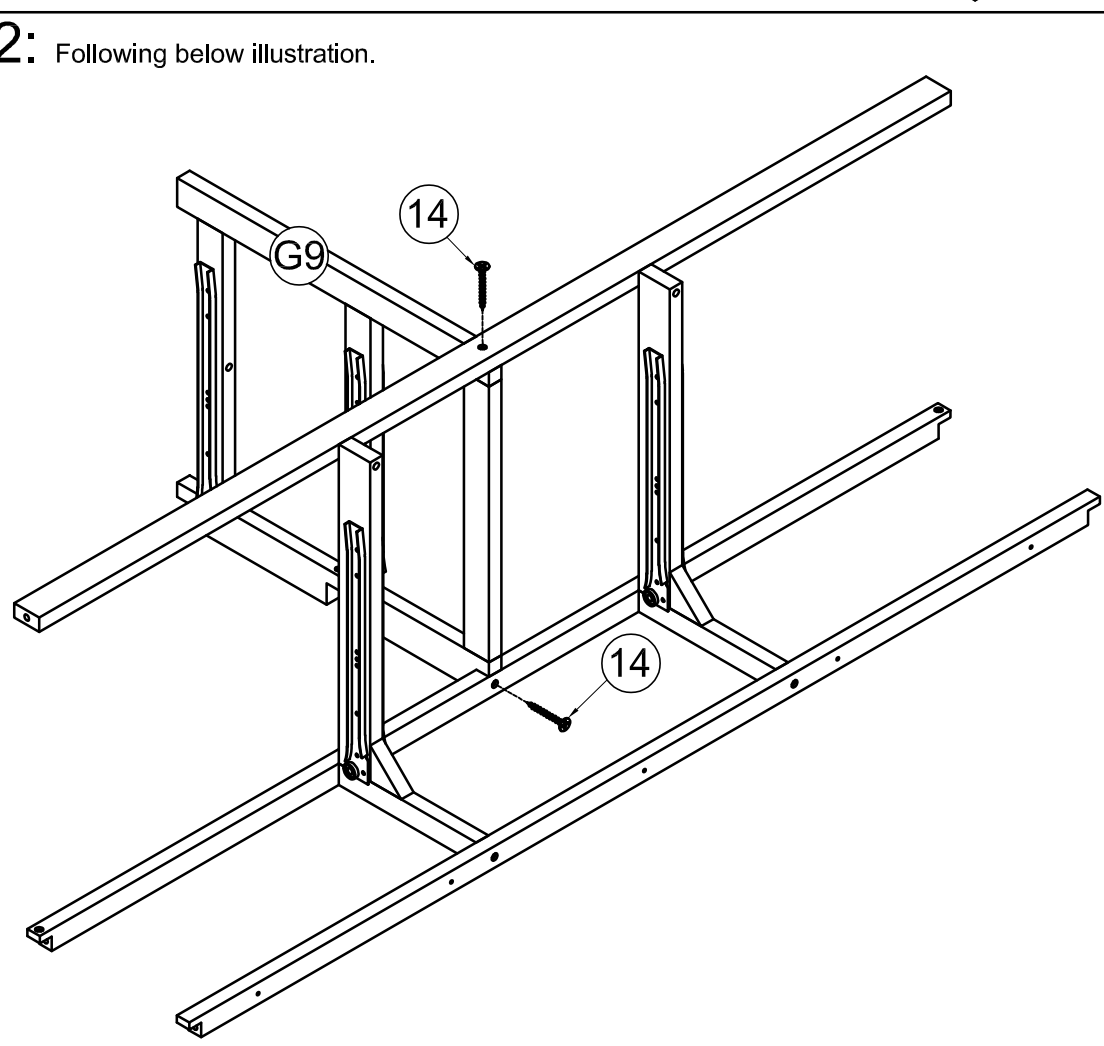
# Hardware List (WF317050)

<p>1</p>  <p>Ø1/4" x 35 mm Hex-Head bolts 8pcs</p>	<p>2</p>  <p>M4 x 25 mm Wood Screws 11pcs</p>	<p>3</p>  <p>Handle Wood 11pcs</p>
<p>4</p>  <p>Ø8 x 30 mm Wood dowel 16pcs</p>	<p>5</p>  <p>Ø14 / Ø6 x 1 mm Washer 4pcs</p>	<p>6</p>  <p>Allen Key 1pc</p>
<p>7</p>  <p>M4 x 15 mm Wood Screws 40pcs</p>	<p>8</p>  <p>Screws 1/4" x 50 7pcs</p>	<p>9</p>  <p>Đầu 13mm Screws 1/4" x 60 8pcs</p>
<p>10</p>  <p>M4 x 20 mm Wood Screws 10pcs</p>	<p>11</p>  <p>M4 x 30 mm Wood Screws 72pcs</p>	<p>12</p>  <p>Safety Straps 2pcs</p>
<p>13</p>  <p>Brackets 4pcs</p>	<p>14</p>  <p>M4 x 40 mm Wood Screws 14pcs</p>	<p>15</p>  <p>Ø1/4" x 45 mm Hex-Head bolts 2pcs</p>
<p>16</p>  <p>2pcs</p>	<p>17</p>  <p>Screws 1/4" x70 2pcs</p>	<p>18</p>  <p>Ø1/4" x 60 mm Hex-Head bolts 1pc</p>
<p>19</p>  <p>4pcs</p>	 <p><b>Assembly Tools Required (Not Included)</b></p>	

**STEP1:** Following below illustration.



**STEP2:** Following below illustration.

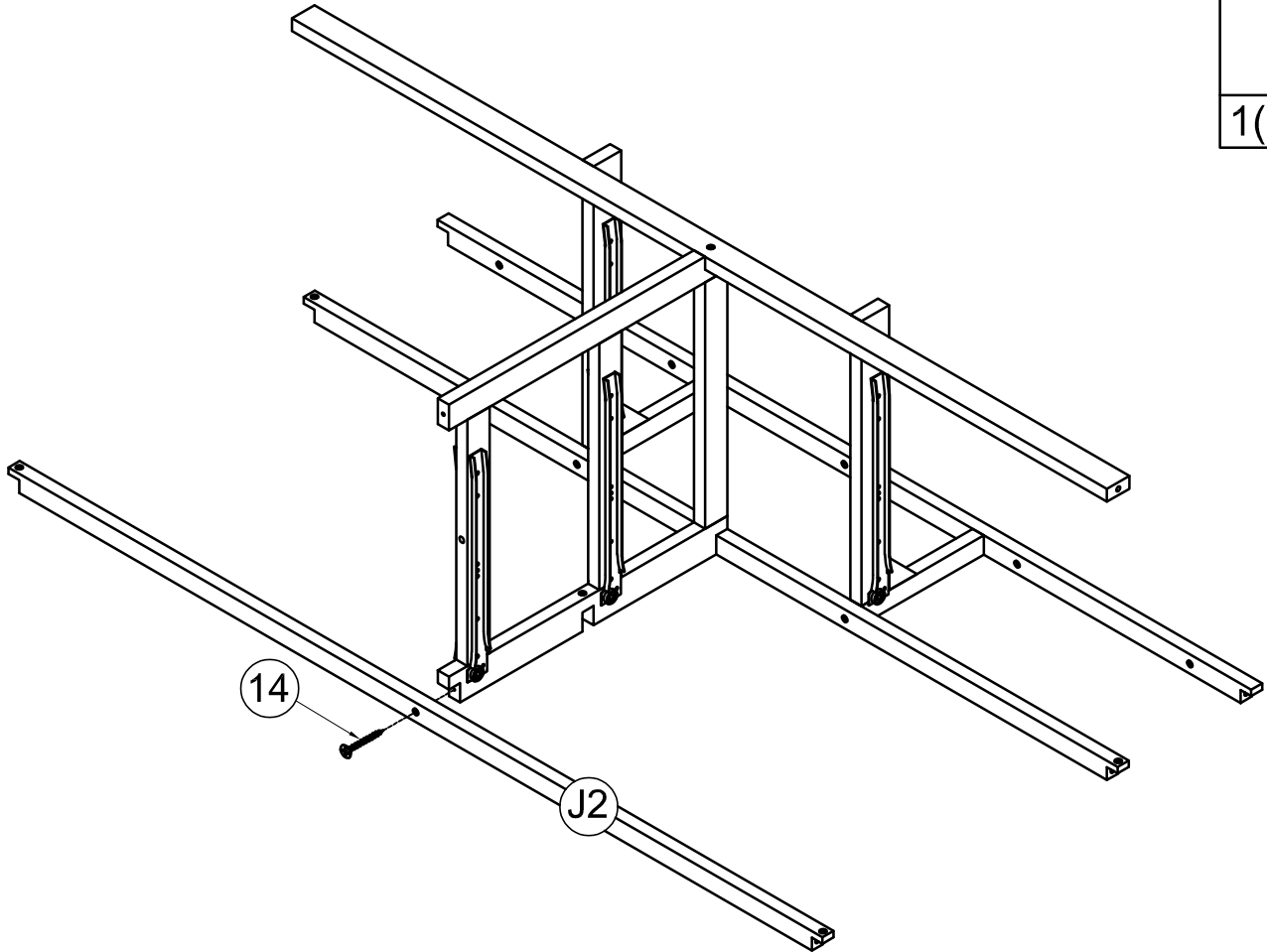


**STEP3:** Following below illustration.

14

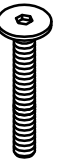


1(pc)



**STEP4:** Following below illustration.

15



2(pcs)

4

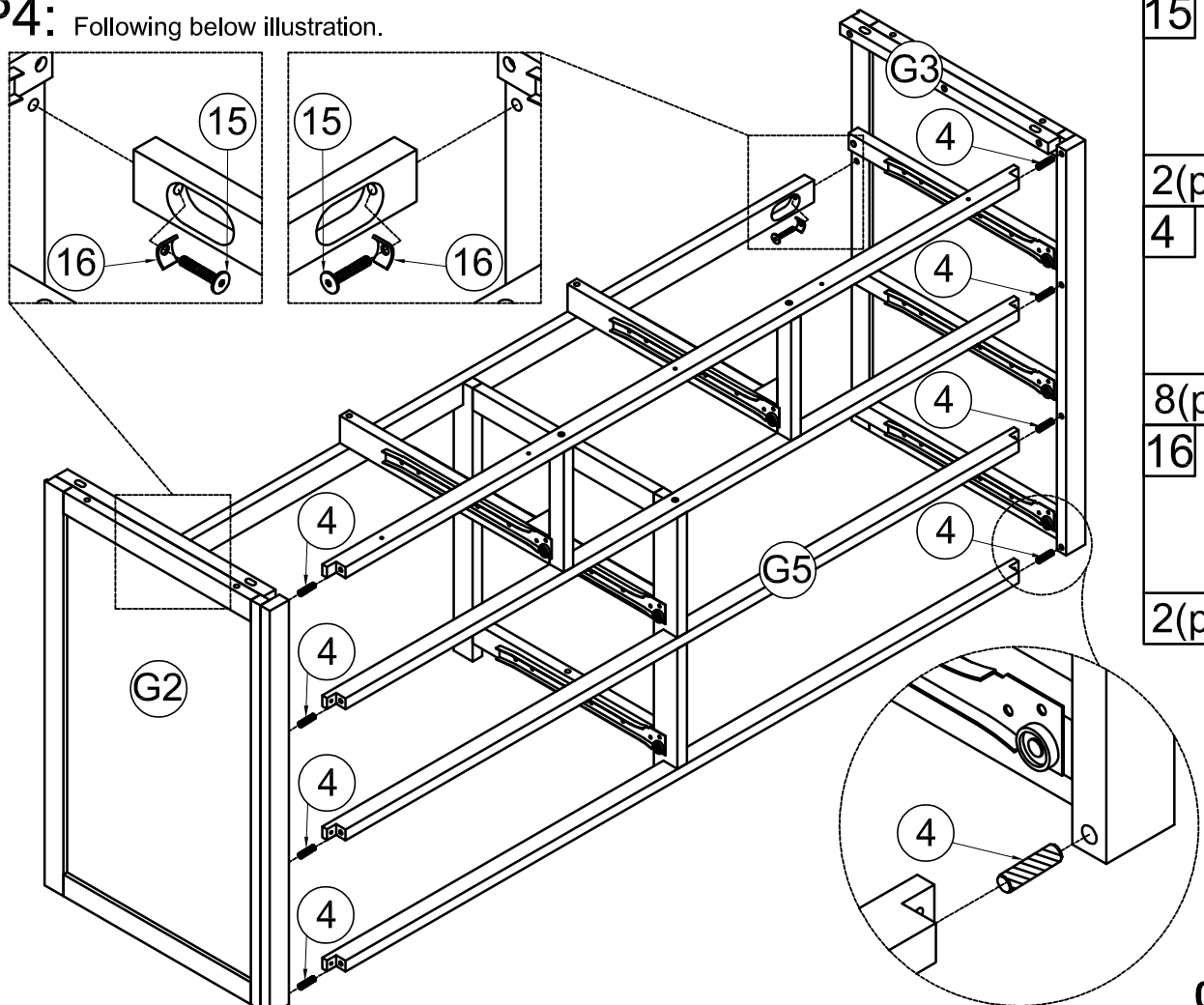


8(pcs)

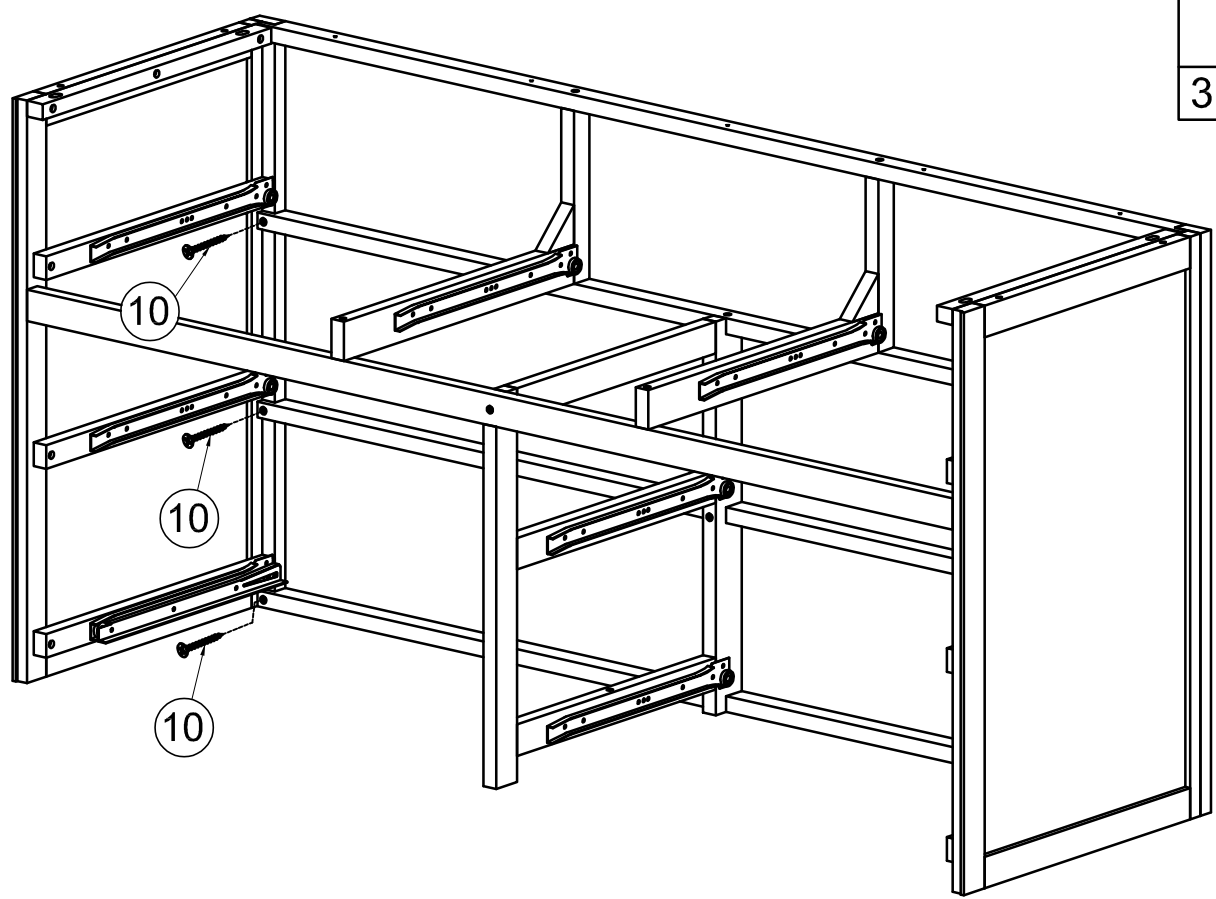
16




2(pcc)

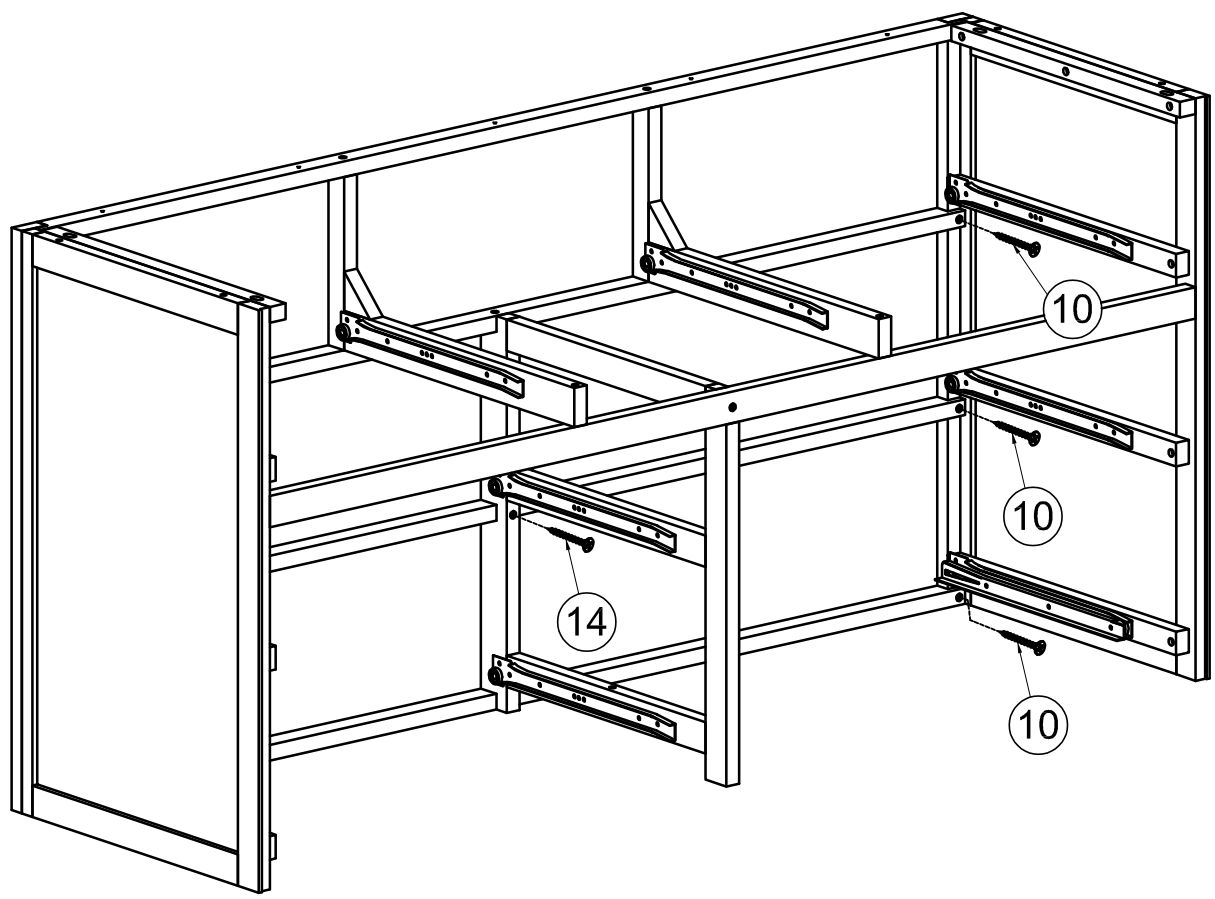




**STEP5:** Following below illustration.



10   
3(pcs)

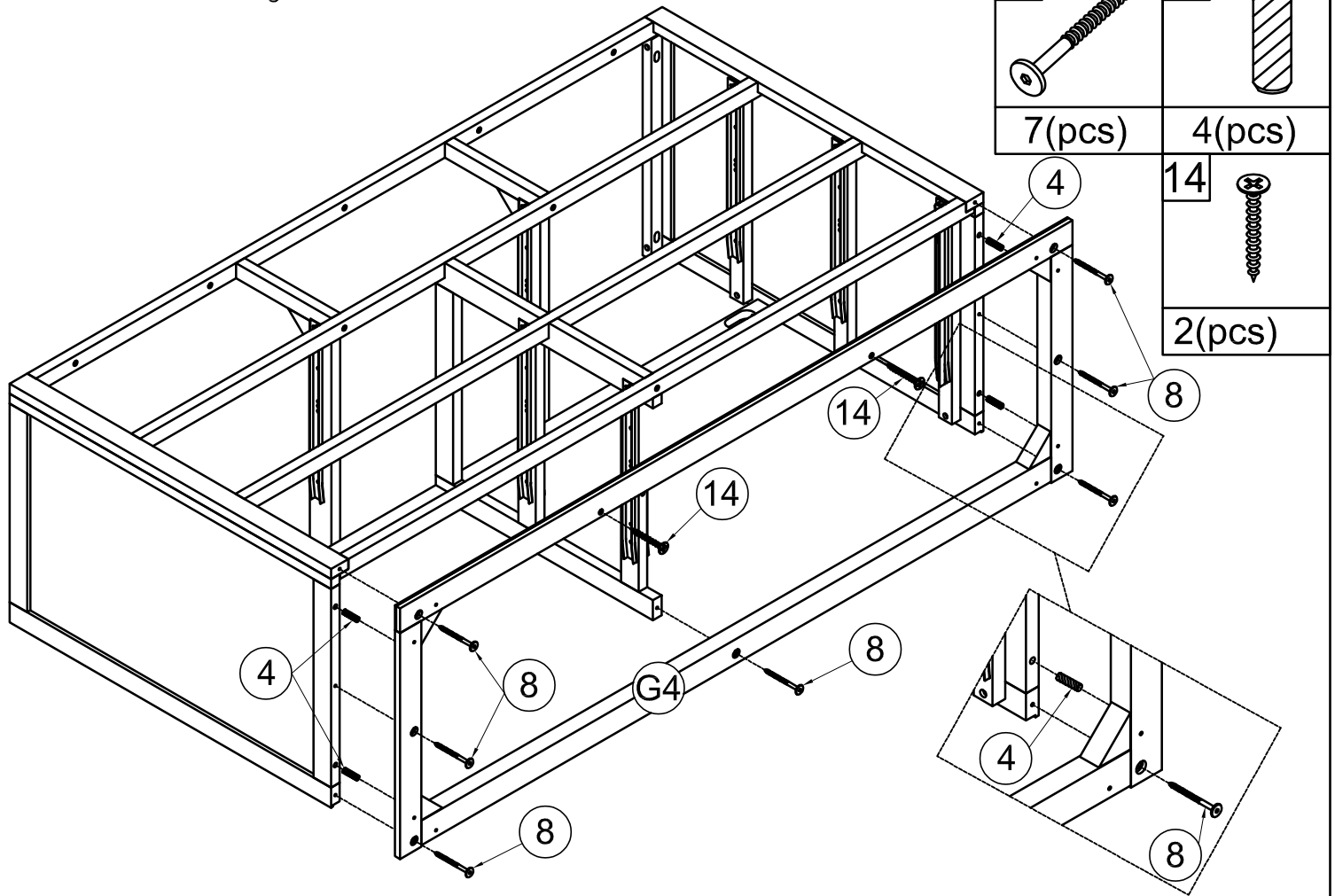
**STEP6:** Following below illustration.



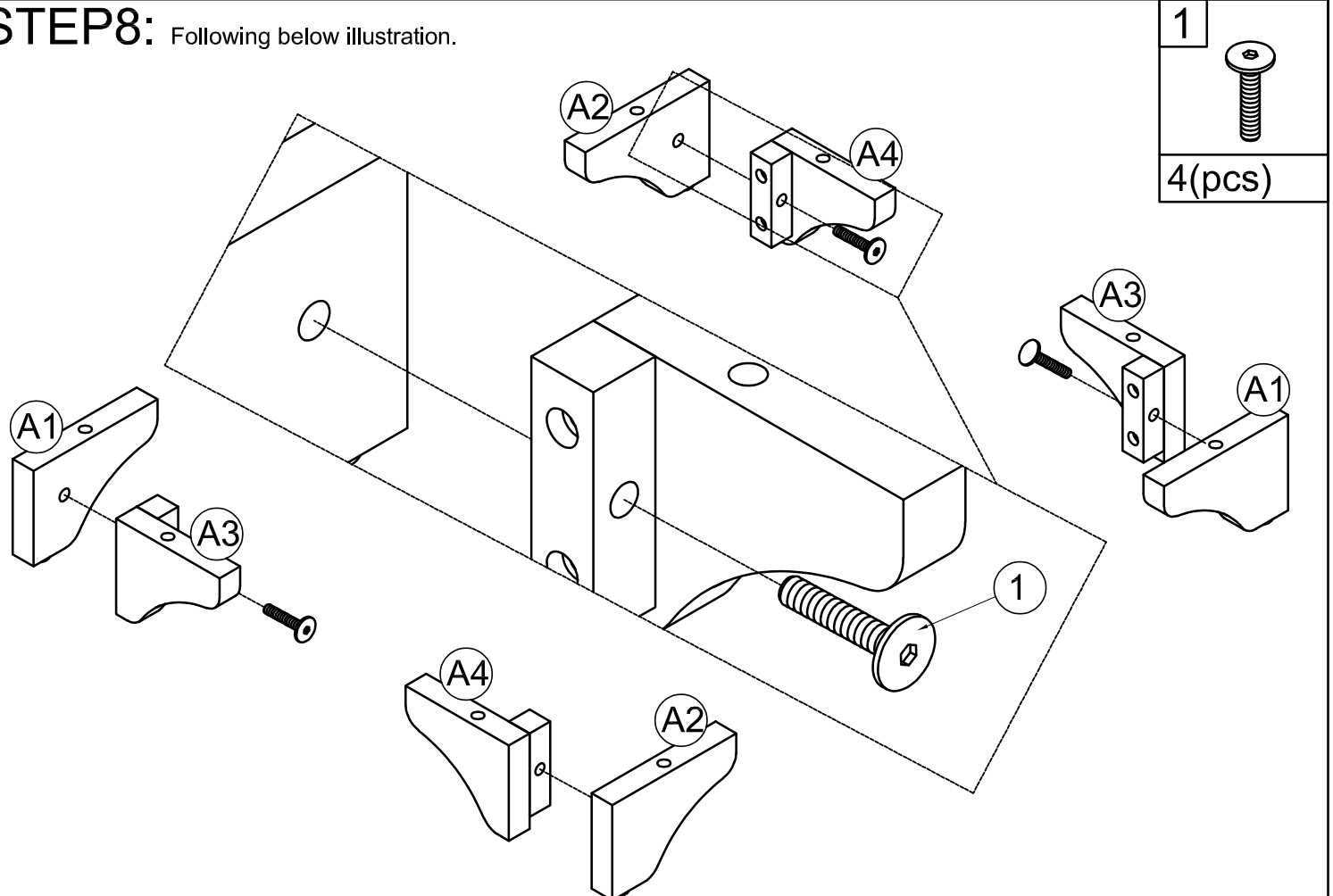
10   
3(pcs)  
14   
1(pc)



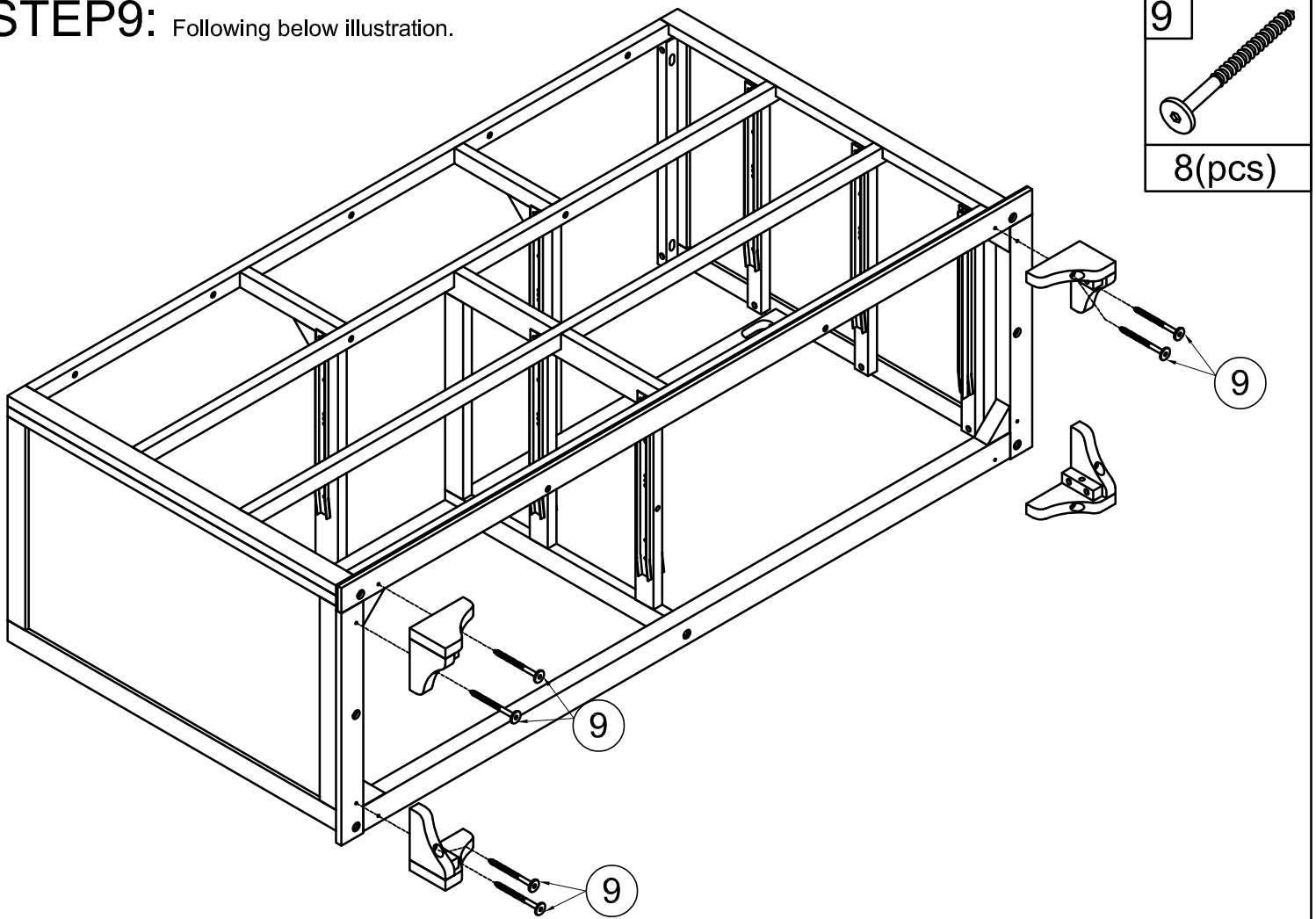
**STEP7:** Following below illustration.



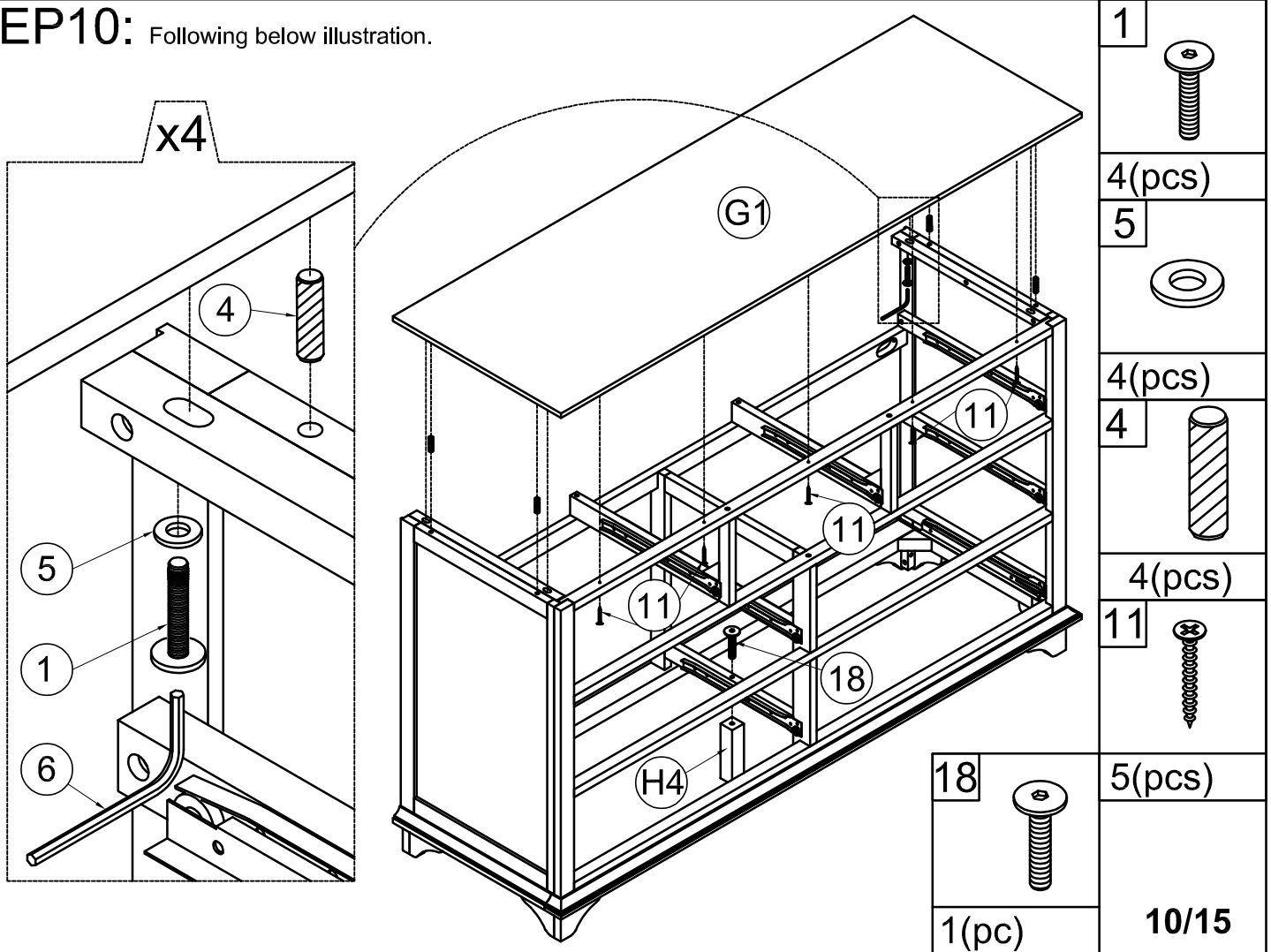
**STEP8:** Following below illustration.



**STEP9:** Following below illustration.



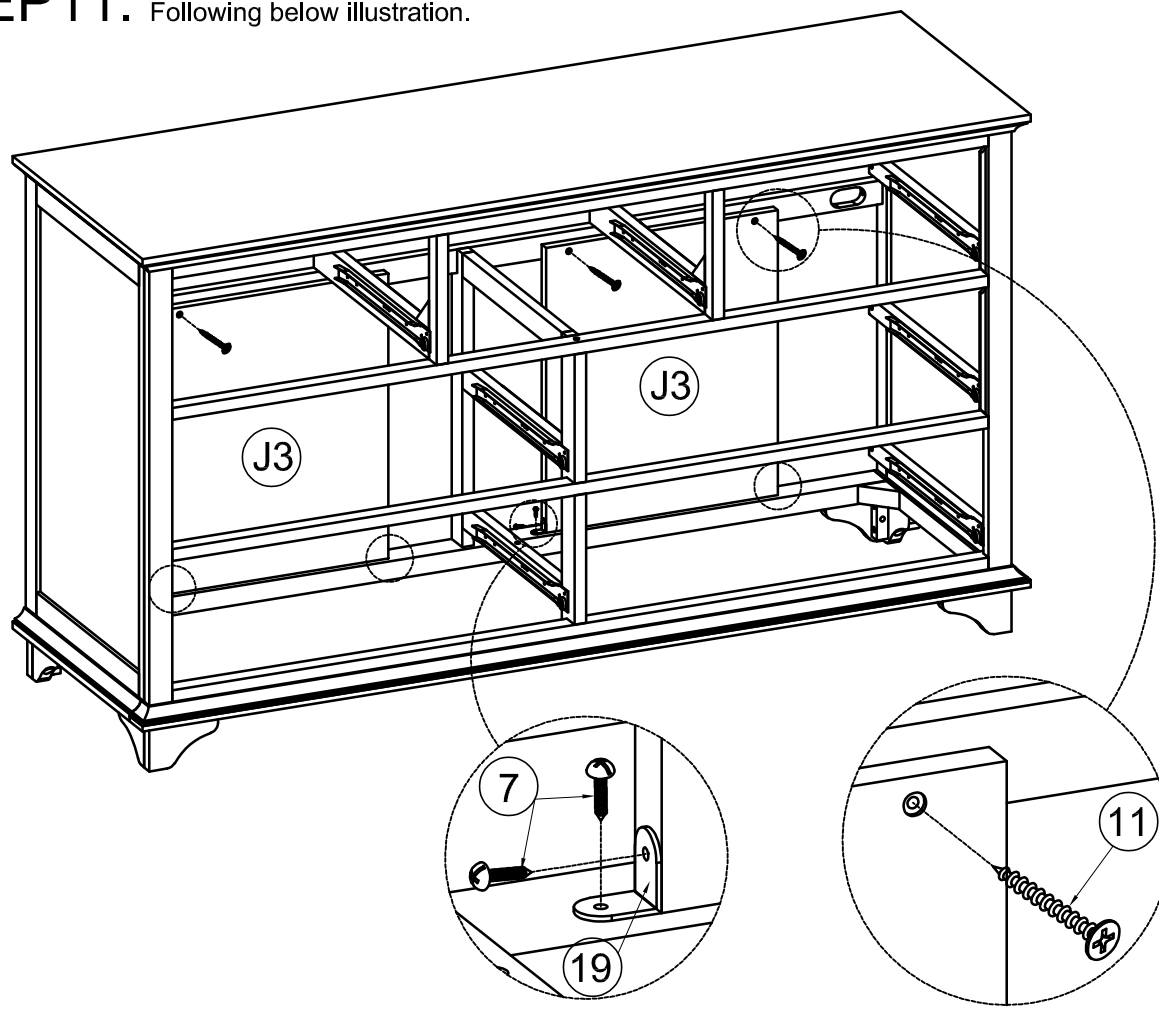
**STEP10:** Following below illustration.

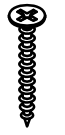
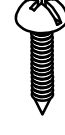
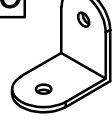


9  
8(pcs)

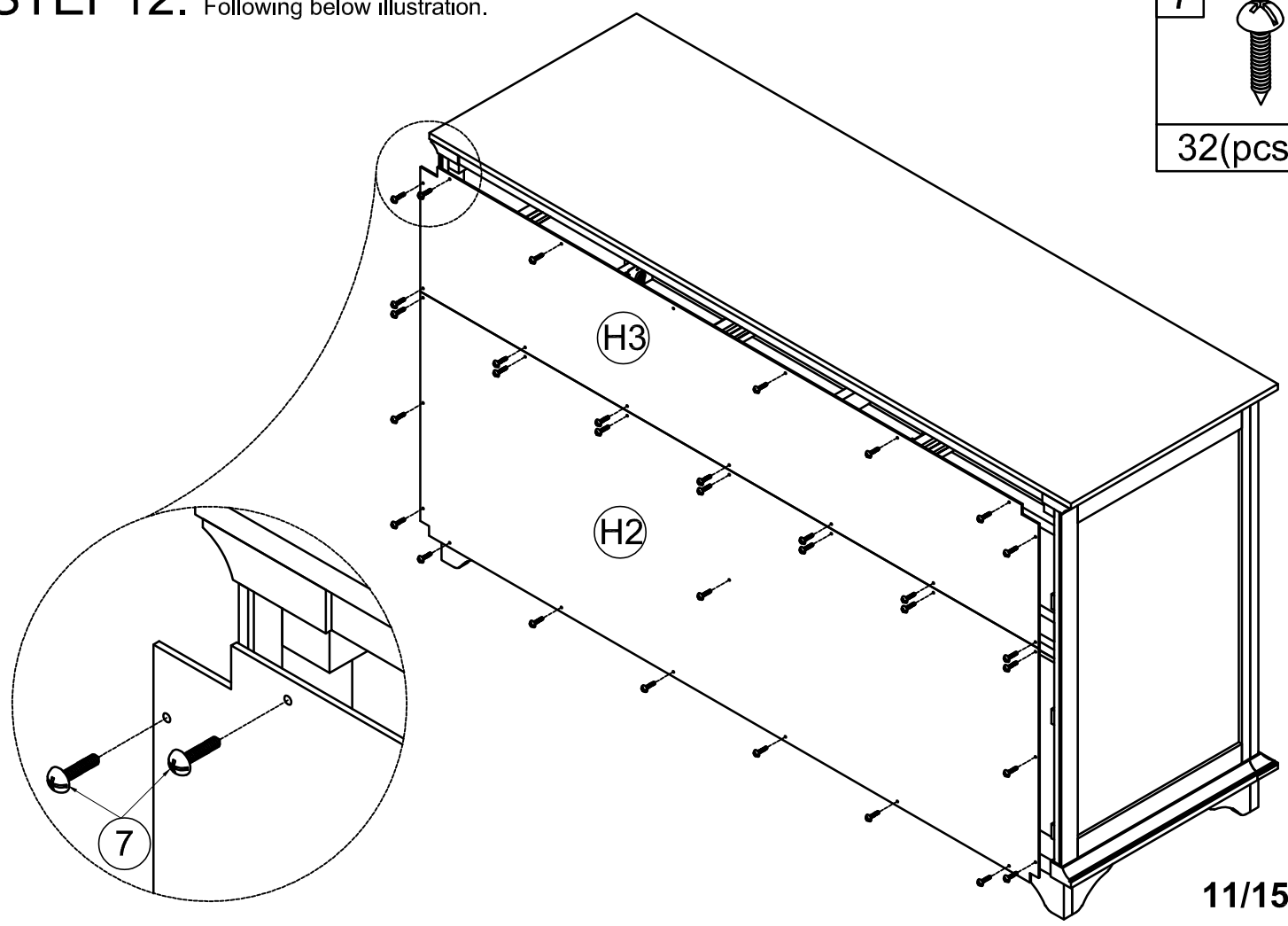
1  
4(pcs)  
5  
4(pcs)  
4  
4(pcs)  
11  
18  
5(pcs)  
18  
1(pc)  
10/15


**STEP11:** Following below illustration.






- 11 
- 4(pcs)
- 7 
- 8(pcs)
- 19 
- 4(pcs)

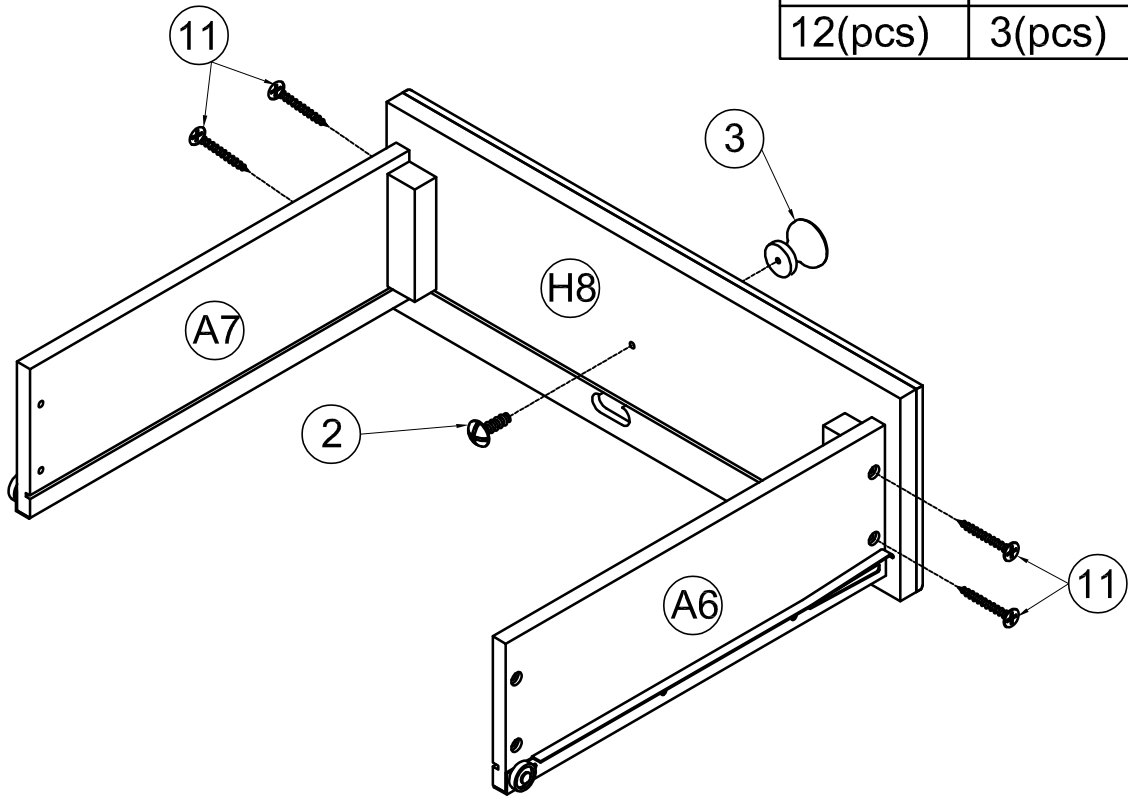
**STEP12:** Following below illustration.




- 7 
- 32(pcs)

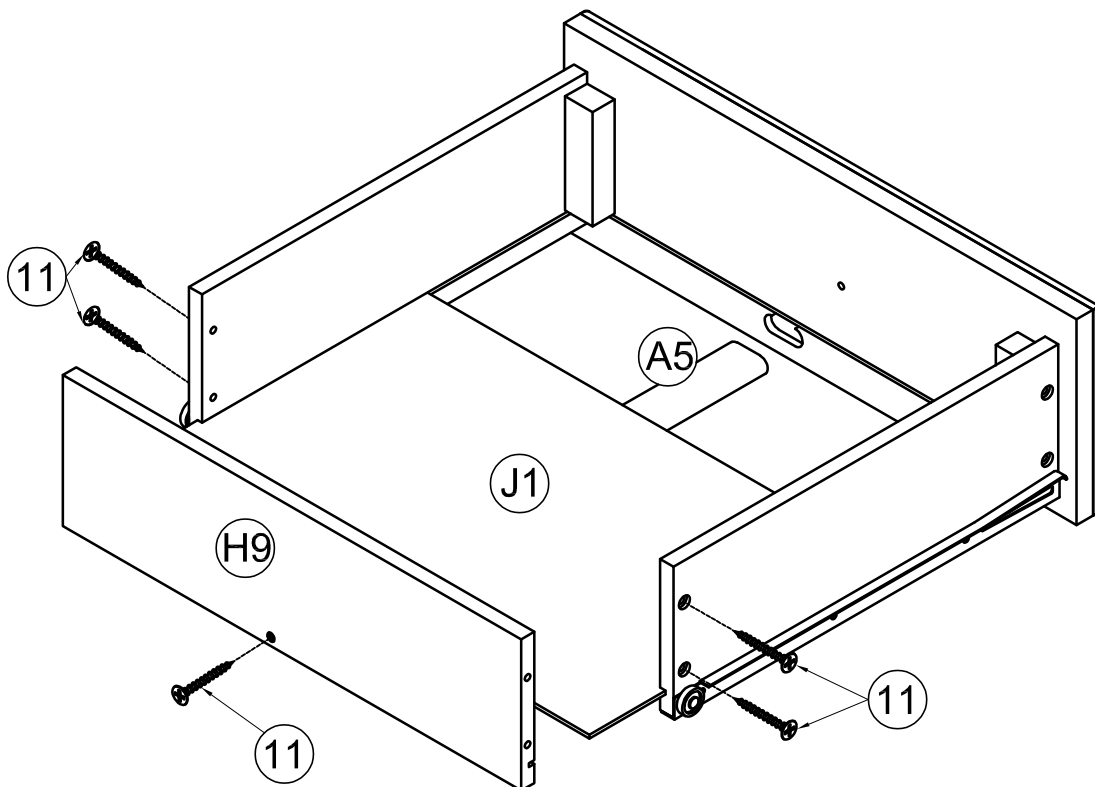
**STEP13 x 3:** Following below illustration.

11		2		3	
12(pcs)		3(pcs)		3(pcs)	






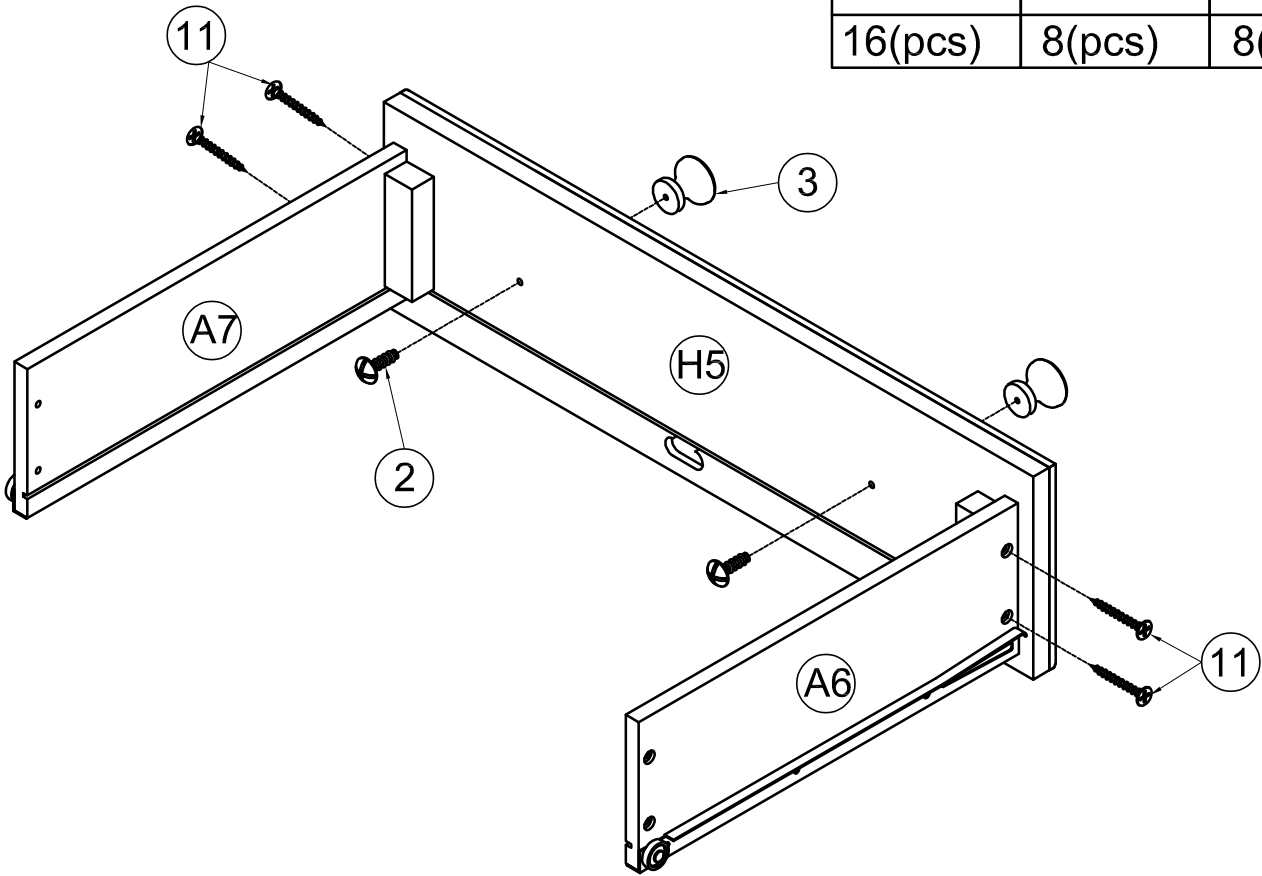
**STEP14 x 3:** Following below illustration.

11	
15(pcs)	




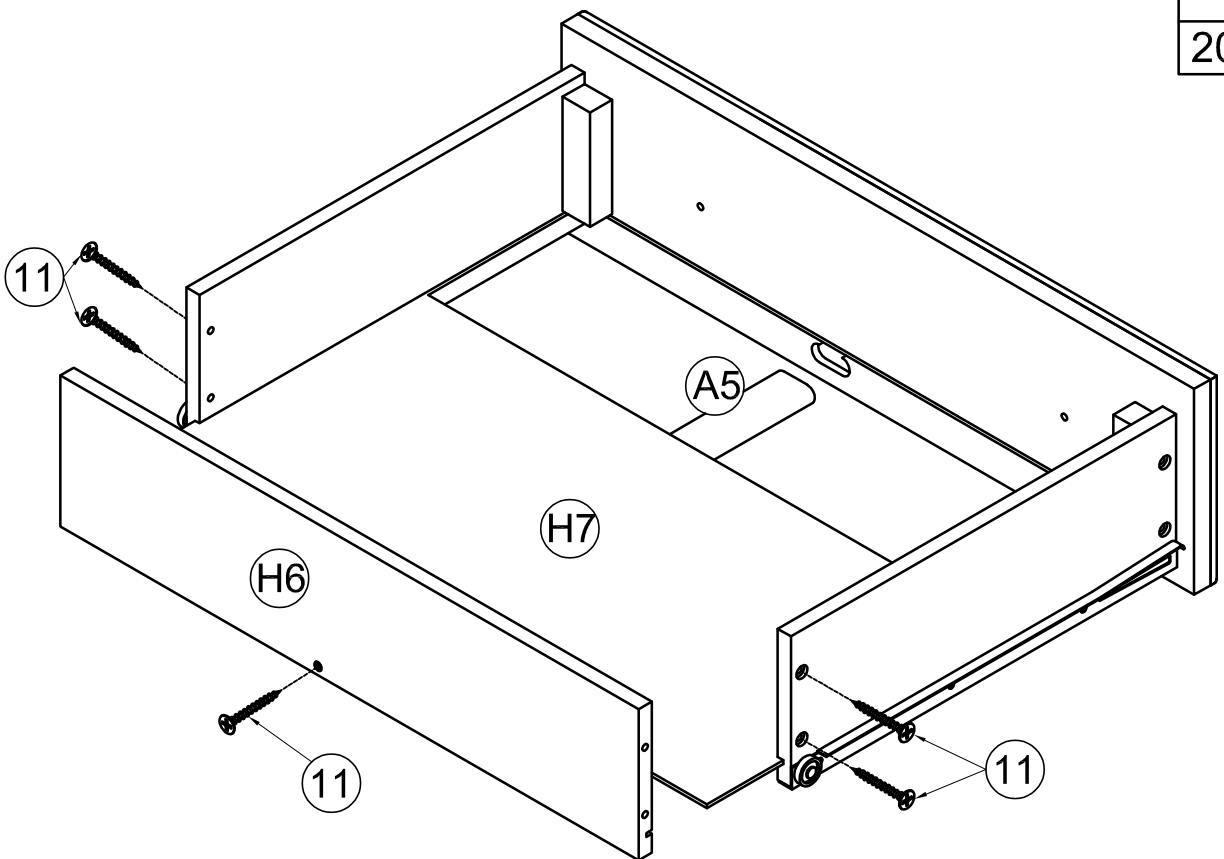
**STEP15 x 4:** Following below illustration.

11		2		3	
16(pcs)		8(pcs)		8(pcs)	

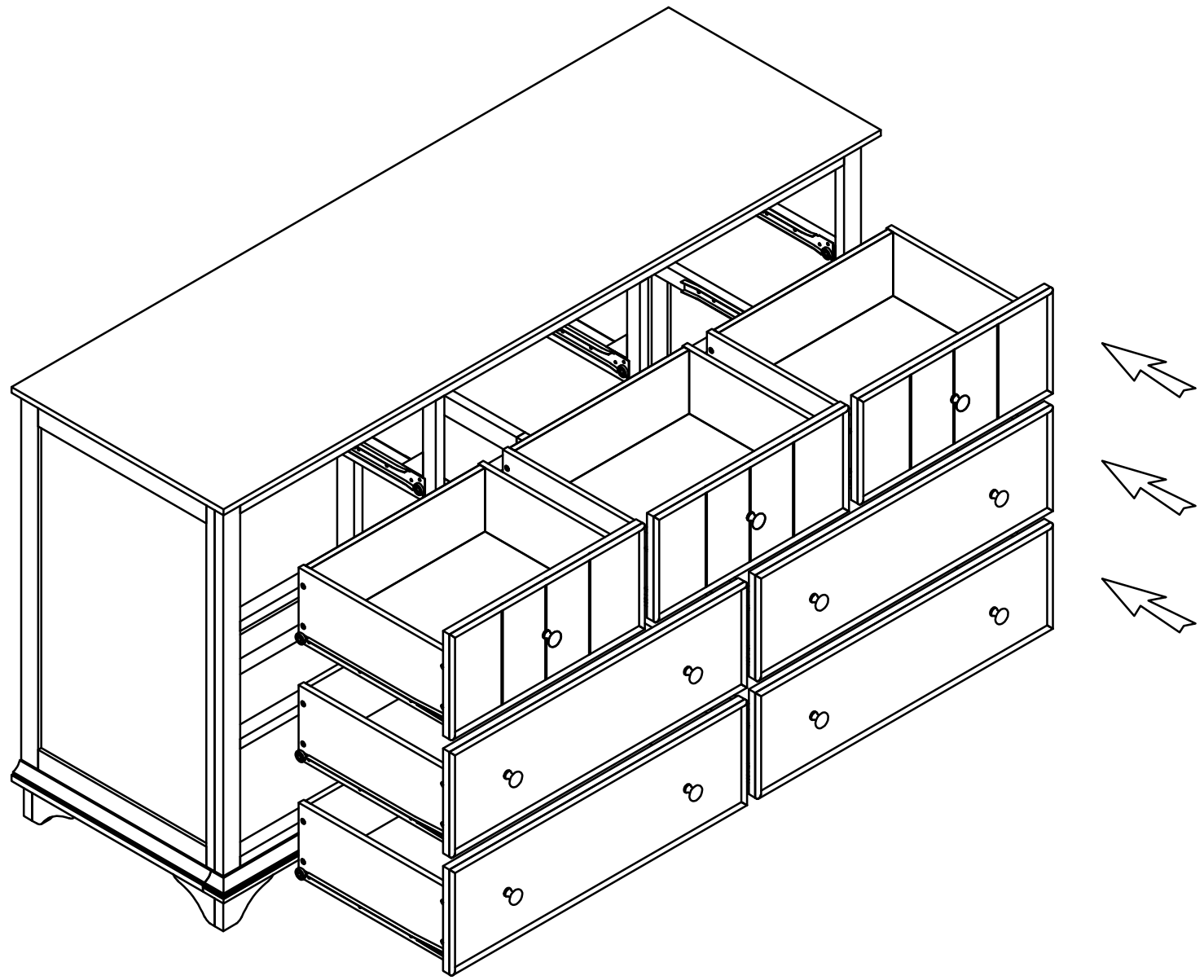


**STEP16 x 4:** Following below illustration.

11	
20(pcs)	



**STEP17:** Following below illustration.

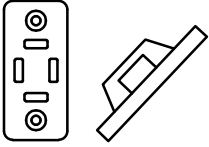


# WALL STUD

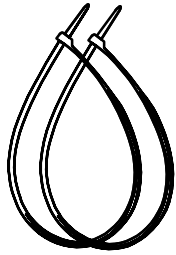
## SAFETY BRACKET INSTRUCTIONS

### PARTS ENCLOSED:

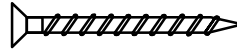
13 (4) BRACKETS



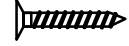
12 (2) SAFETY STRAPS



14 (4) 1-1/2" (3.8 cm) WOOD SCREWS



10 (4) 3/4" (1.9 cm) WOOD SCREWS

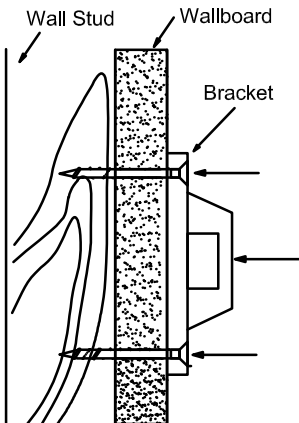


**IMPORTANT:** Tipping furniture can injure young children. Use of this safety bracket hardware is highly recommended. This safety hardware, when properly installed, can provide further protection against unexpected accidental tipping of furniture due to improper use.

### Step 1

Attach a bracket to the wall board with the 1-1/2" (3.8 cm) wood screws provided:

- It is recommended that you locate a wall stud behind the furniture unit. If a wall stud is not used, a suitable "Hollow-Wall Anchor Bolt (not provided) should be used in lieu of the wall stud.
- Position the wall bracket on the stud about 1" (2.5 cm) below the top the furniture piece.
- Mark the position for the bracket placement on the wall and drill a pilot hole into the stud.
- Attach the bracket to the wallboard with the 1-1/2" (3.8 cm) screws provided.



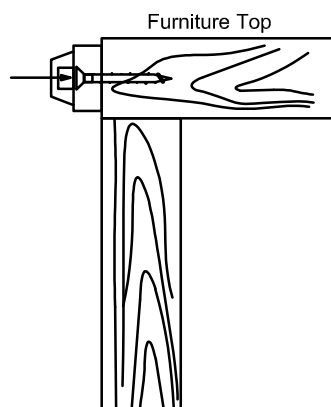
### Step 2

To attach a bracket to the furniture frame below the top with the short 3/4" (1.9 cm) screws provided:

- Move the furniture piece temporarily to its final position to the wall.
- Mark the location of the bracket on the back of the furniture in relation to the previously mounted wall bracket.
- Move the furniture piece away from the wall mounted bracket and place the other bracket on the mark position on the back of the furniture piece.
- Drill a pilot hole as shown in the figure or into the back furniture frame.

**Caution:** Make sure you do not drill completely through the back of the furniture.

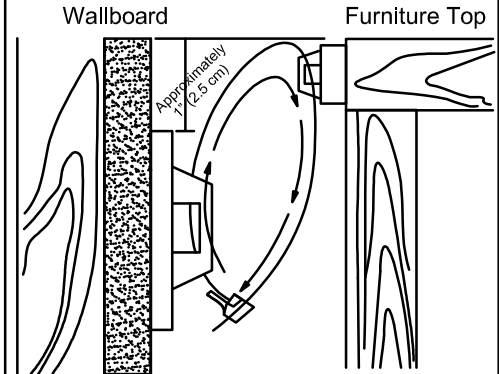
- Attach the bracket to the back of the furniture with the 3/4" (1.9 cm) screws provided.



### Step 3

To attach the safety strap:

- Move the furniture back to its final position.
- Thread the safety strap through both of the mounted brackets as shown in the illustration.
- Tighten the strap until snug.
- Do not over tighten.



**Important:** Make sure the brackets are firmly attached to the wall stud and furniture frame and the safety strap is snug.

**Warning:** This product is not to be a substitute for proper parental supervision which is the only proper deterrent to prevent improper use of this unit. The manufacturer assumes no liability for improper installation or excessive loads placed on the safety straps, bracket or mounting screws. This hardware will not insure against tipping.

**Note:** For taller or heavier pieces of furniture, two safety brackets may be installed.

GIGACLOUD TECHNOLOGY(USA) INC  
18961 ARENTH AVENUE,  
CITY OF INDUSTRY, CA, 91748  
626-912-8886 Ext.100  
Made in Binh Duong, Viet Nam  
10/2023