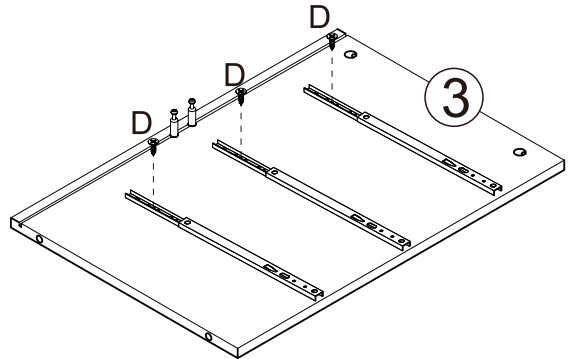
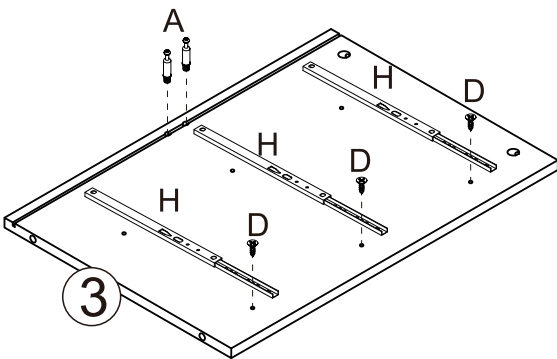
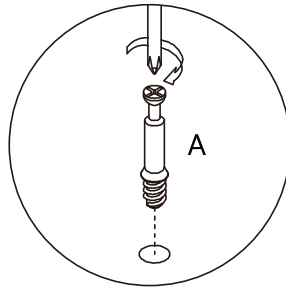
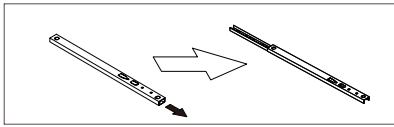
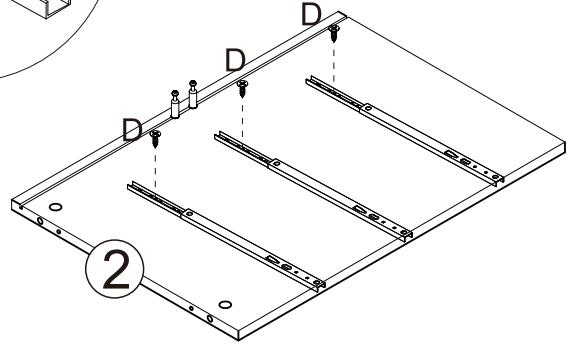
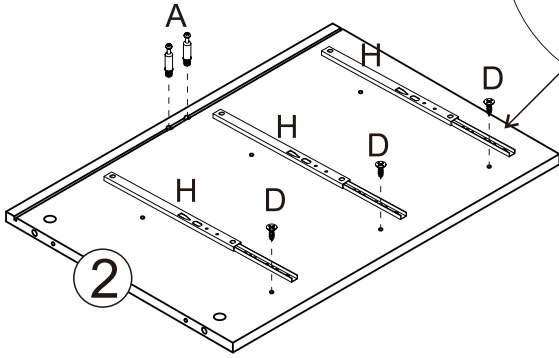
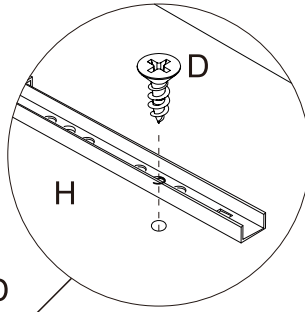
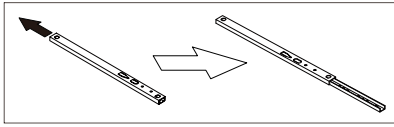


<b>Ax23</b> 	<b>Bx23</b> 	<b>Cx8</b> 	<b>Dx 12</b> 	
<b>Ex12</b> 	<b>Fx15</b> 	<b>Gx4</b> 	<b>Hx6</b> 	
<b>Ix6</b> 	<b>Jx6</b> 	<b>Kx1</b> 	<b>Lx1</b> 	
<b>Mx1</b> 	<b>Nx1</b> 	<b>Ox4</b> 	<b>Px8</b> 	<b>Qx12</b> 

1



Ax4

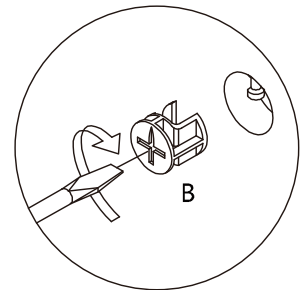
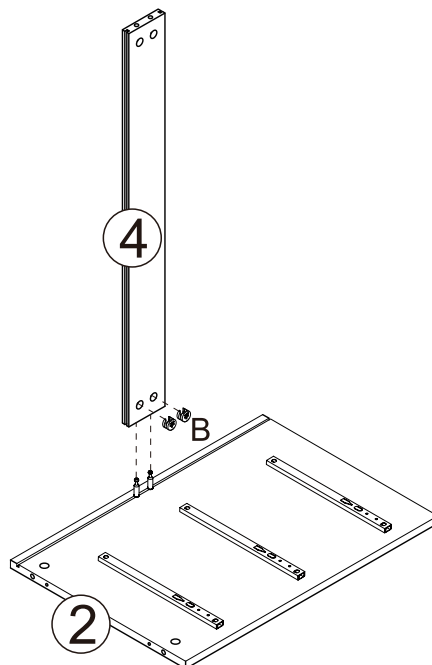


Hx6



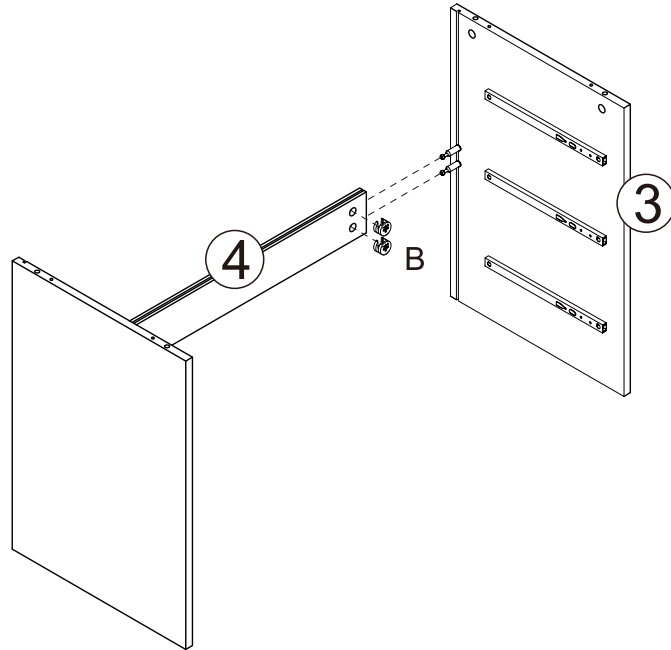
Dx12

2



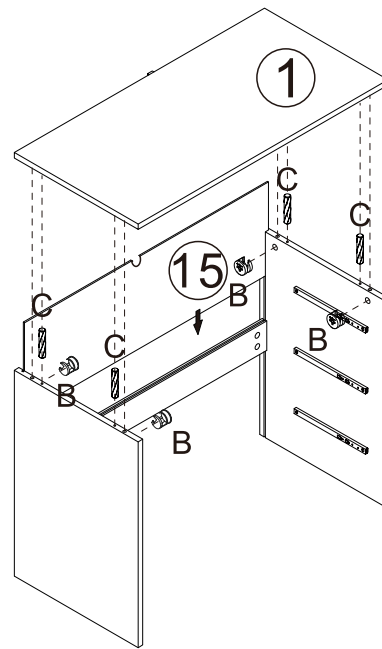
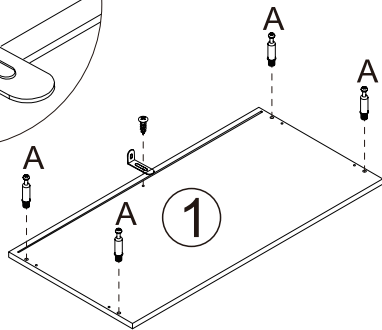
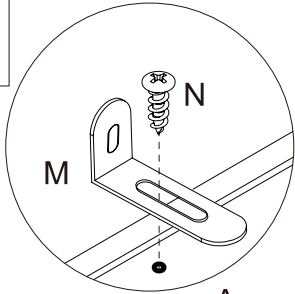
Bx2

3



Bx2

4



Ax4



Bx4



Cx4

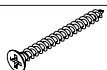
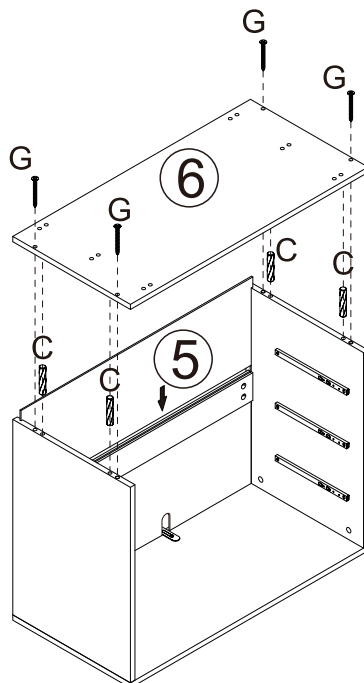


Mx1



Nx1

5

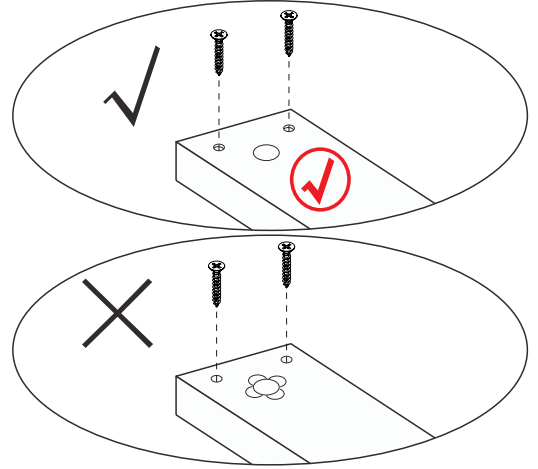
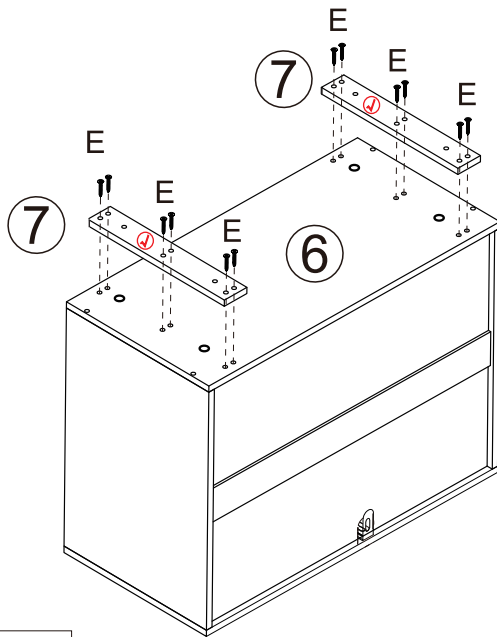


Gx4



Cx4

6

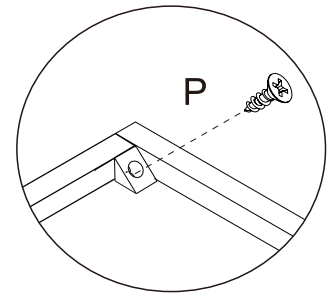
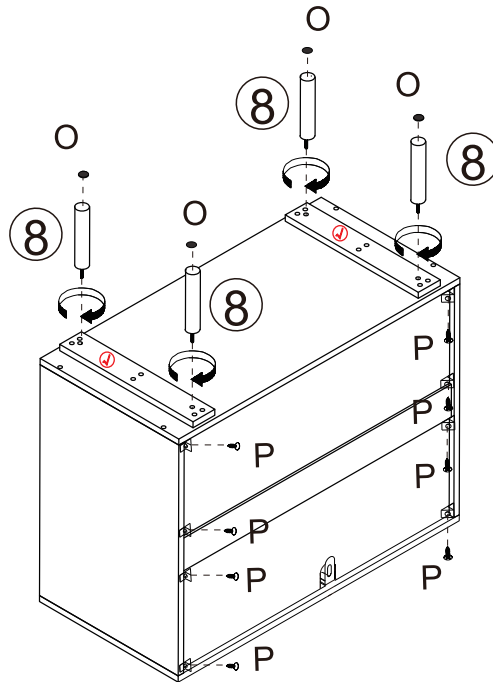


**ATTENTION:** When you assemble the part 7 to the board 6 and see the ✓ facing your face, that means the direction of the part 7 is right.



Ex12

7



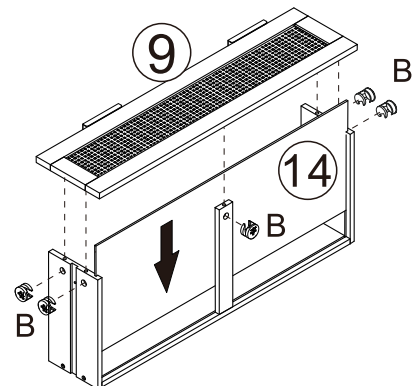
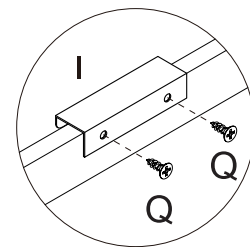
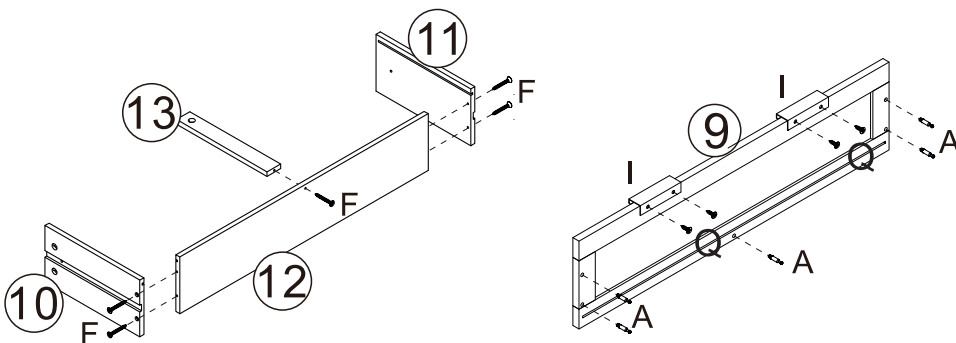
Ox4



Px8

8

x3



Ax15



Bx15



Fx15

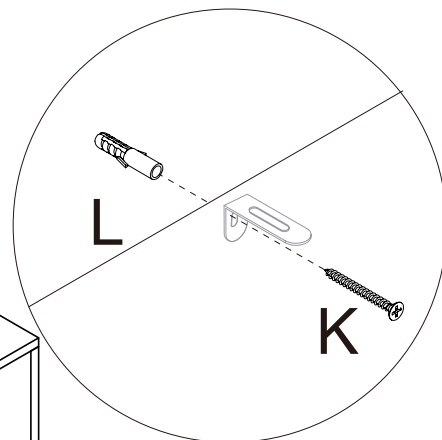
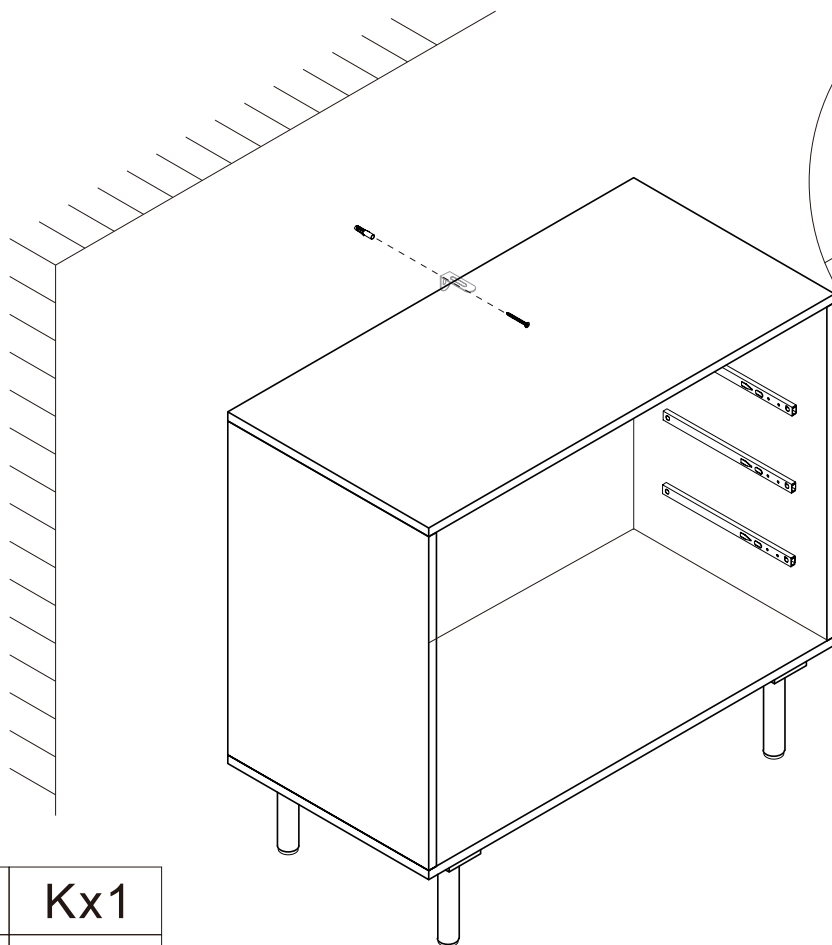


Qx12



Ix6

9

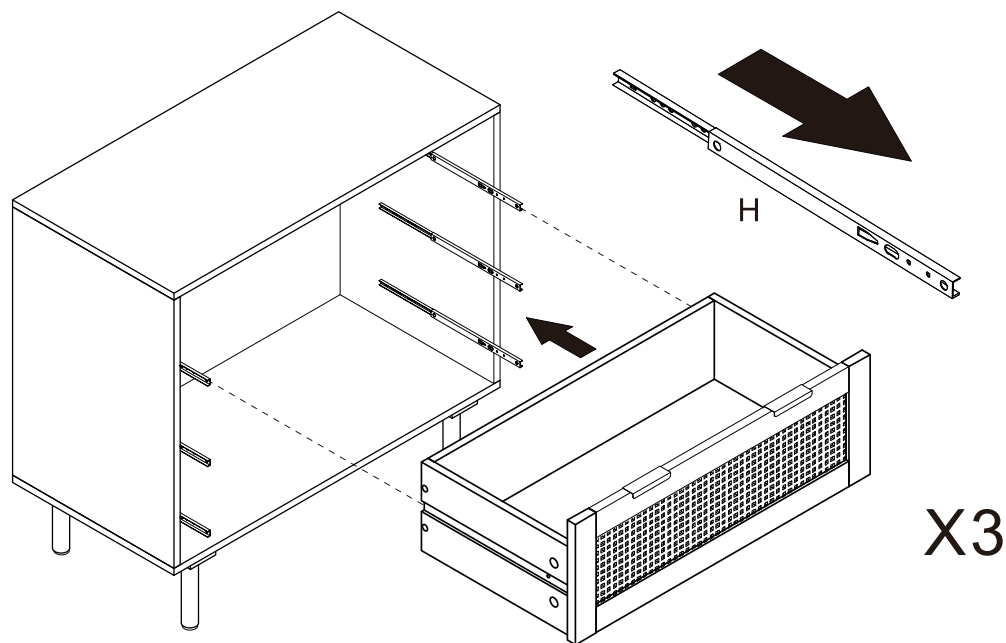


Kx1



Lx1

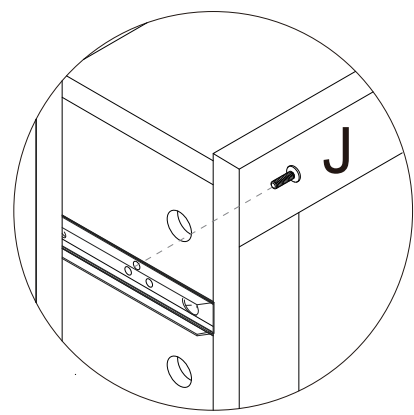
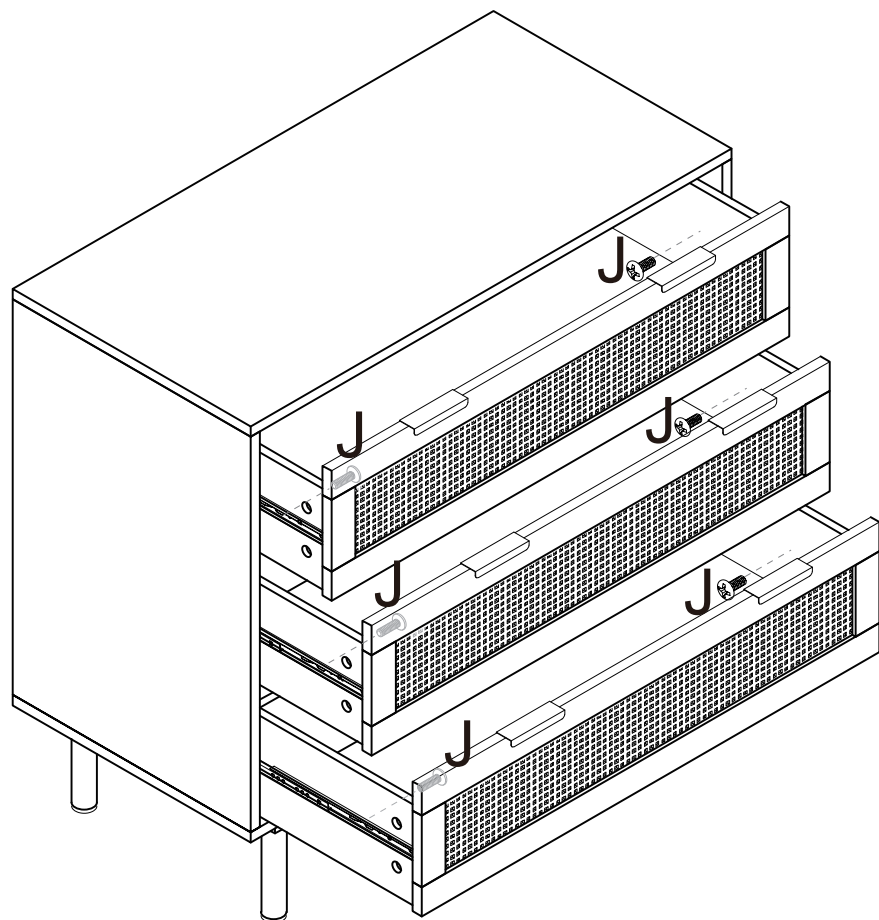
10



H

X3

11



Jx6

12

