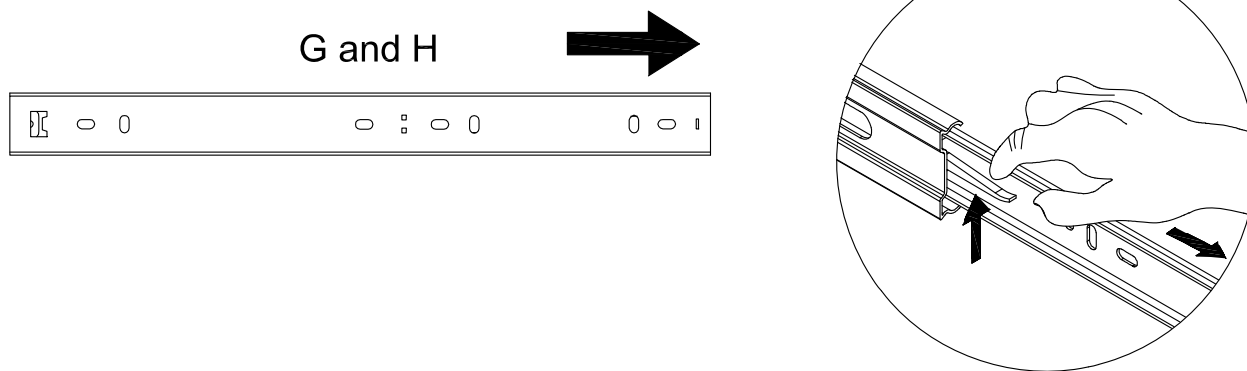
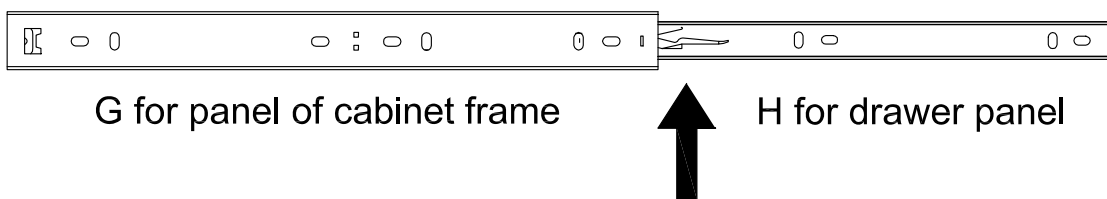


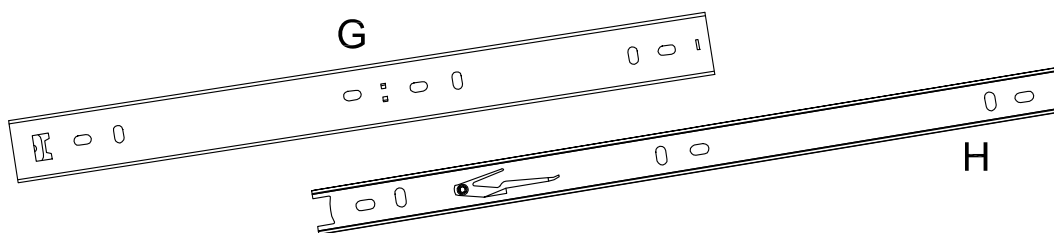
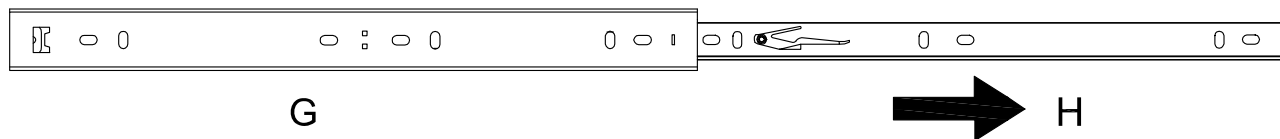
stretch sliding rail G&H then fix them to panels of drawer.




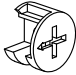




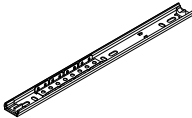
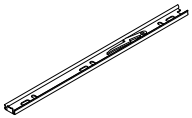


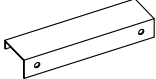


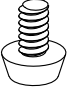
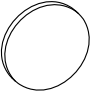


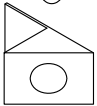
stretch sliding rail until the drawer latch can be seen, as shown.

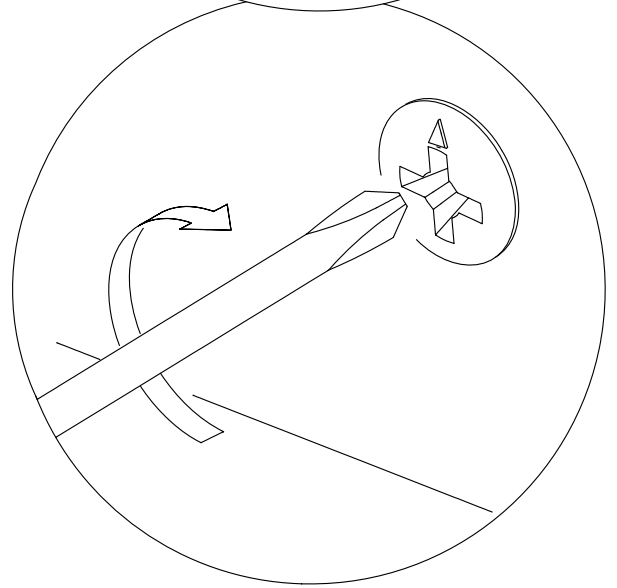
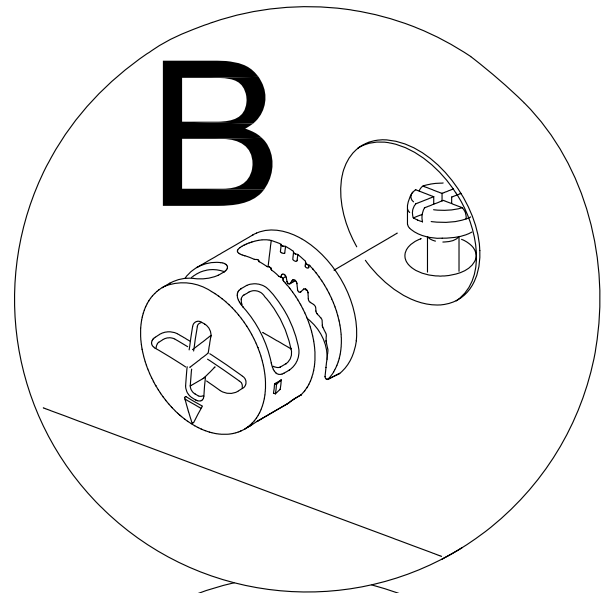
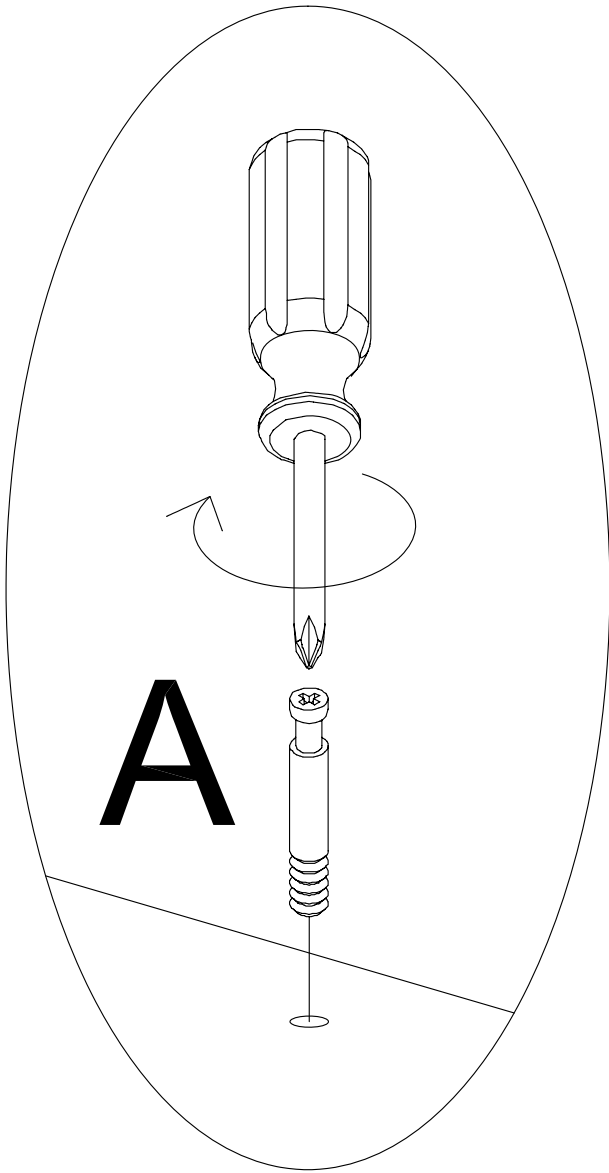


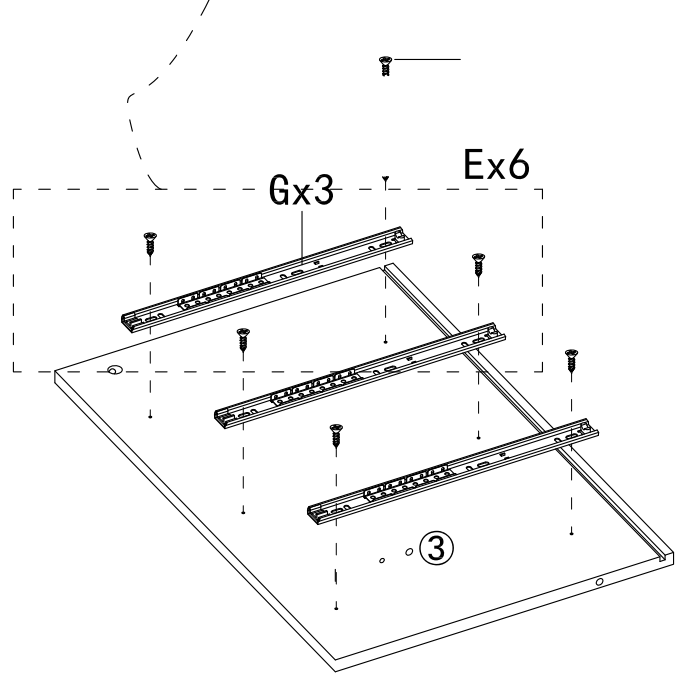
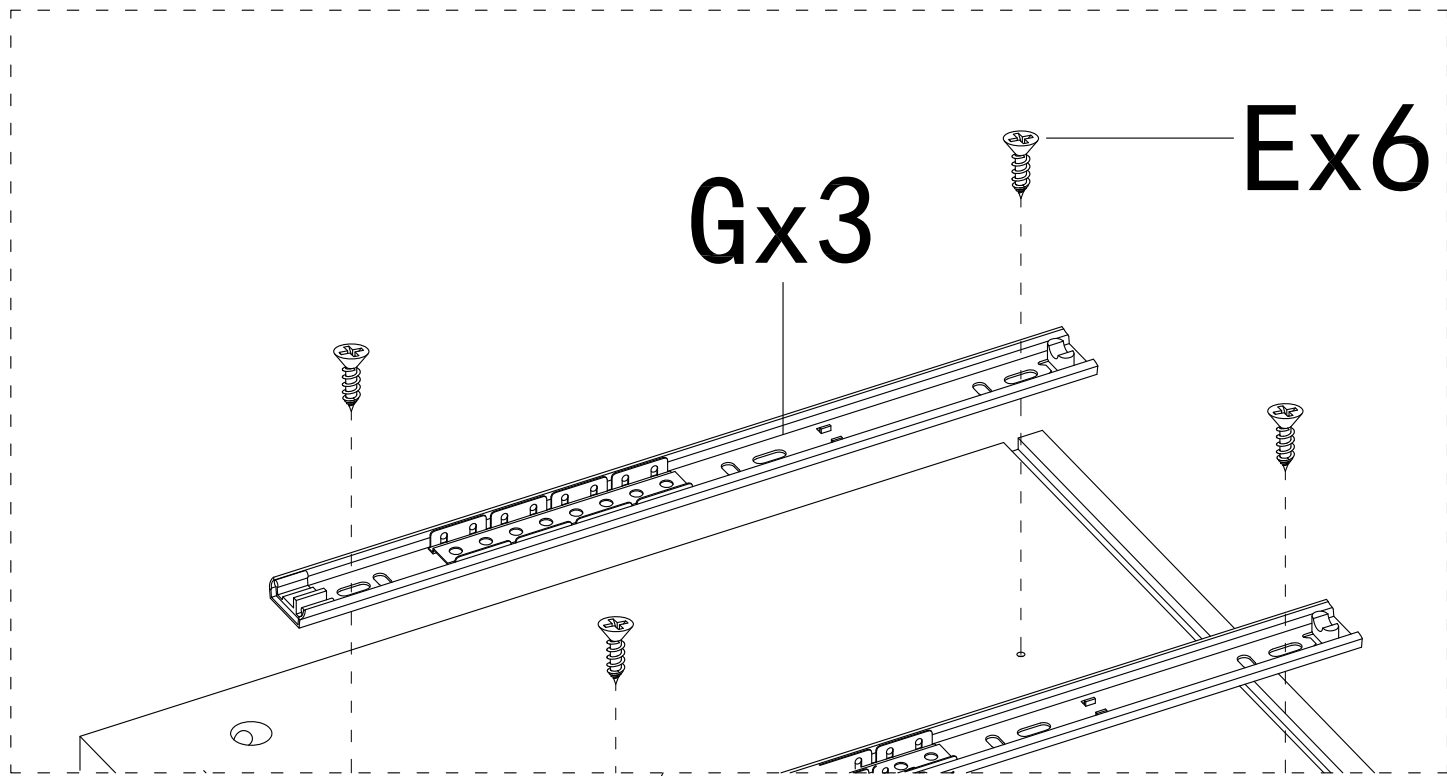
Press the latch of sliding rail then separate sliding rail G & H, as shown.



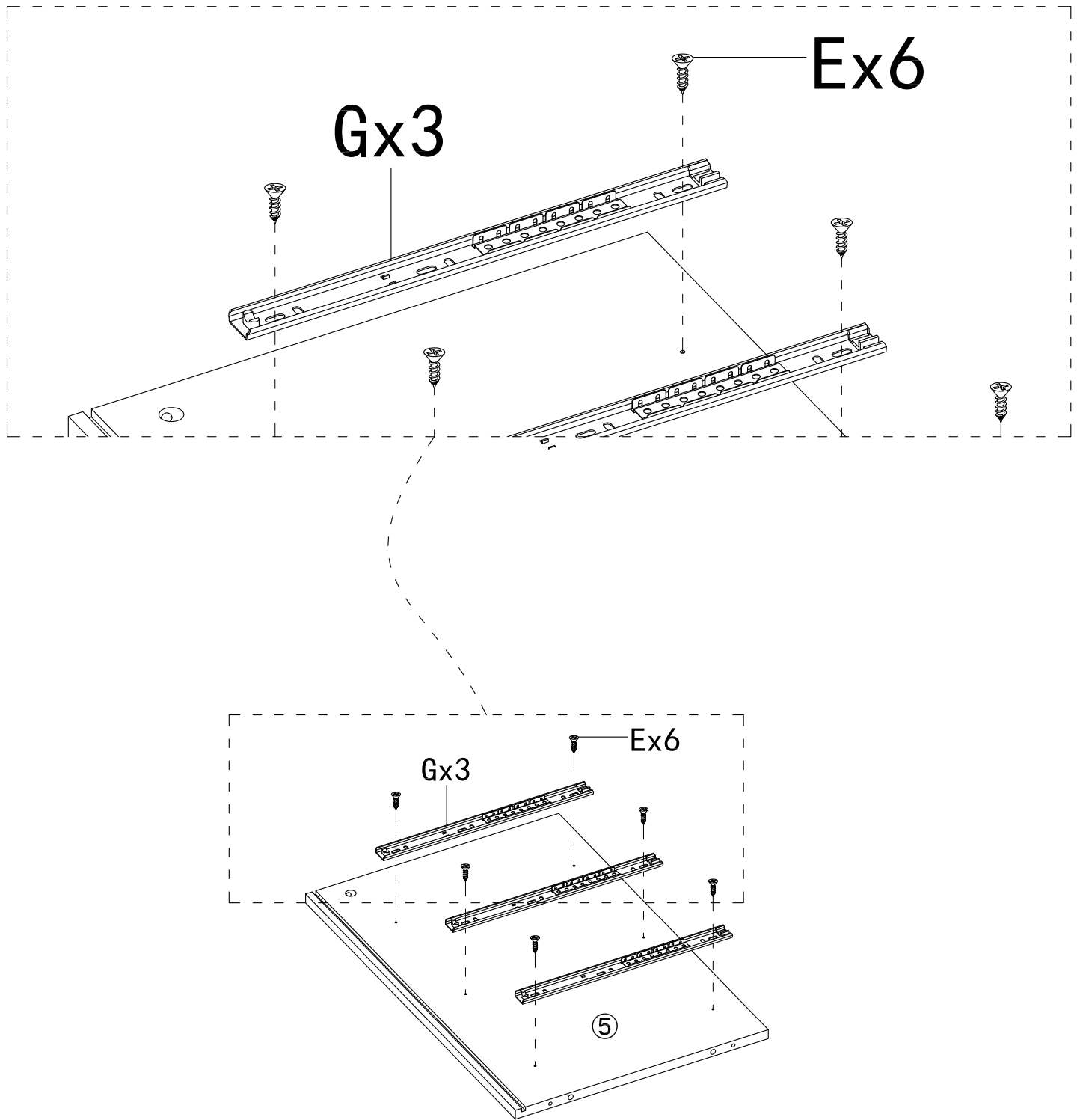
When the sliding rails G & H are separated, they can be fixed to the panels separately.

A	B	C	D	E	F
				 M3.5*14mm	 M4*35mm
30	30	12	6	61	25
G	H	I	J	k	L
		 588mm	 M3.5*25mm		  6*30mm
12	12	2	16	6	1
M	N	O	S		
			 		
1	4	1	6		

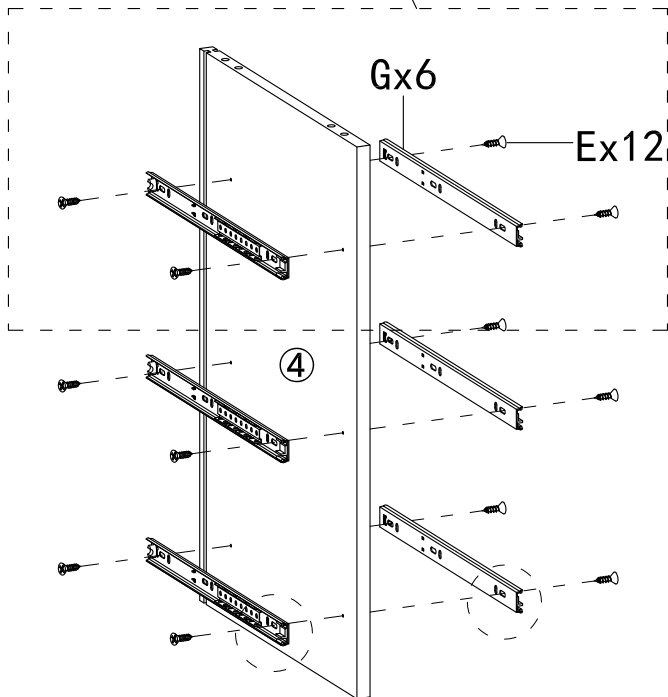
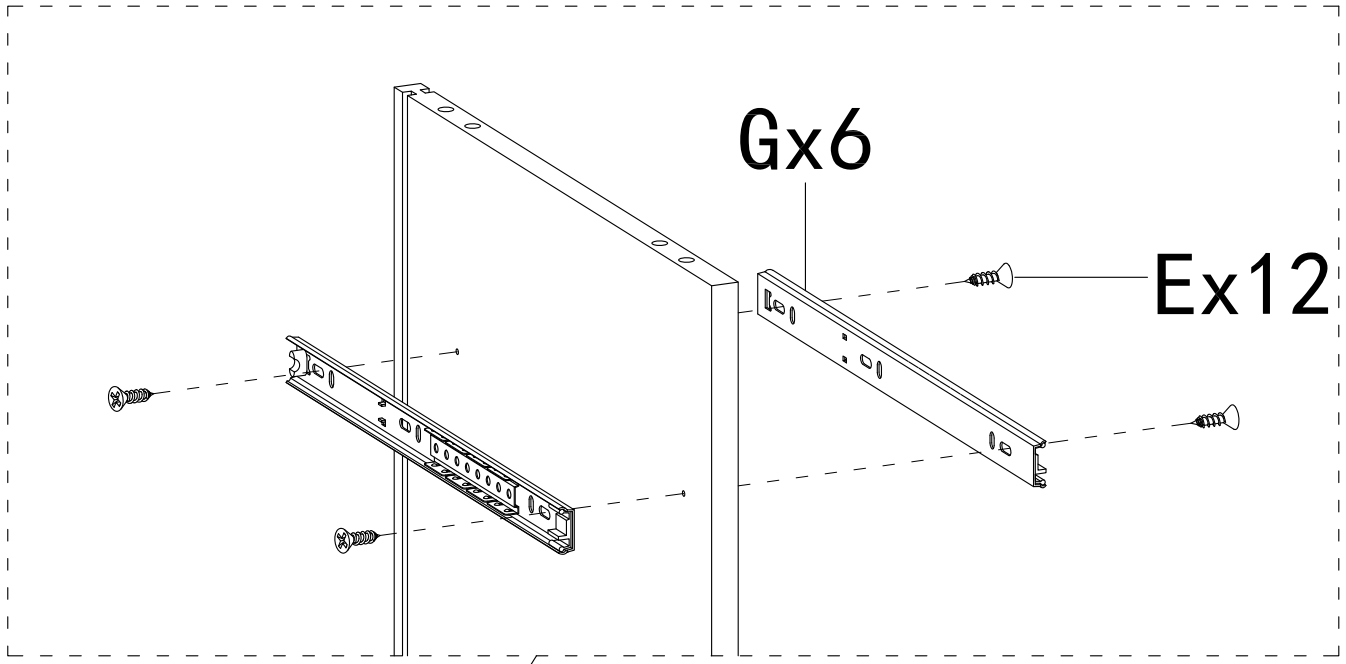




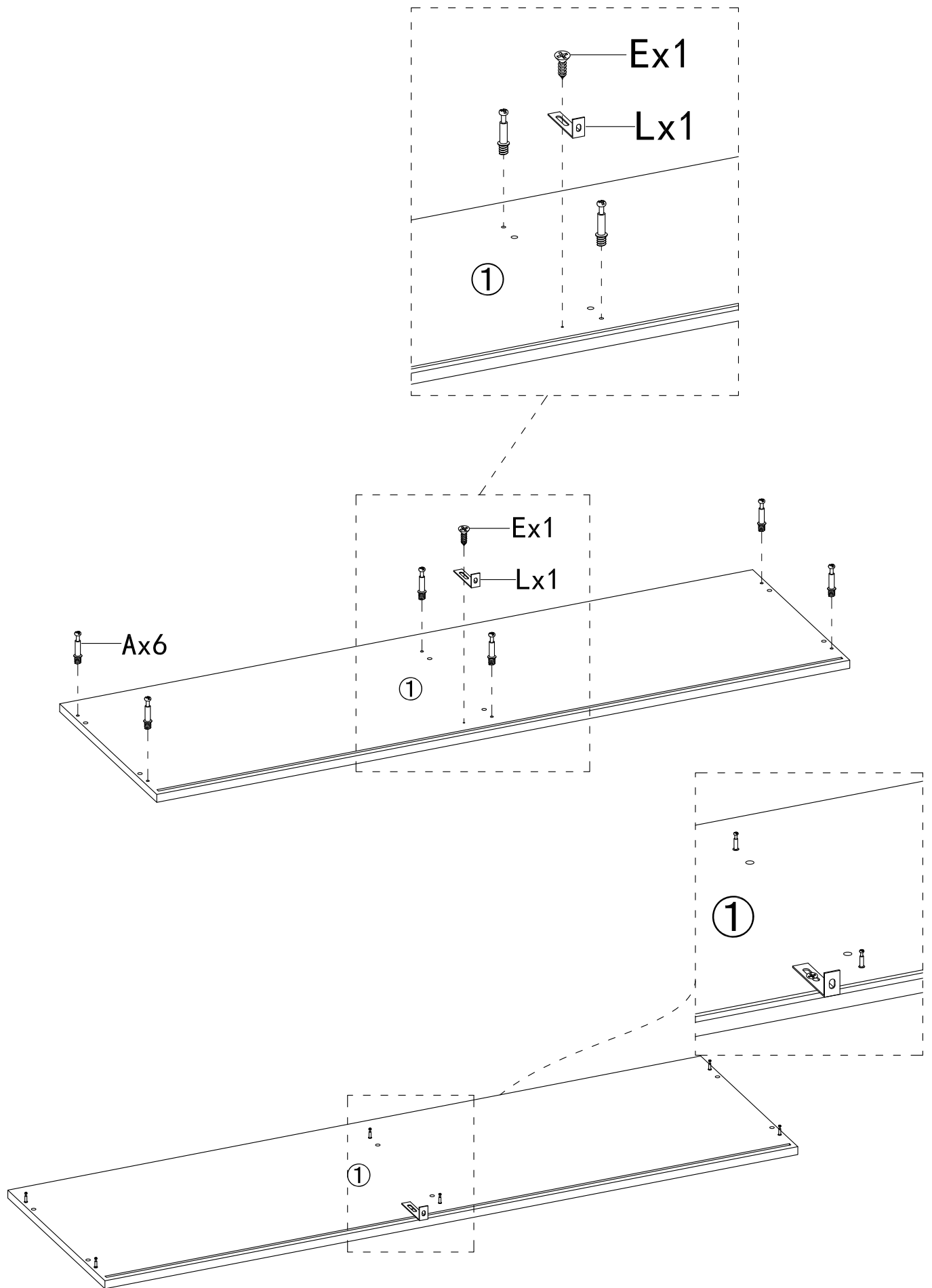
fix sliding rail G to panel 3 with screw E separately.



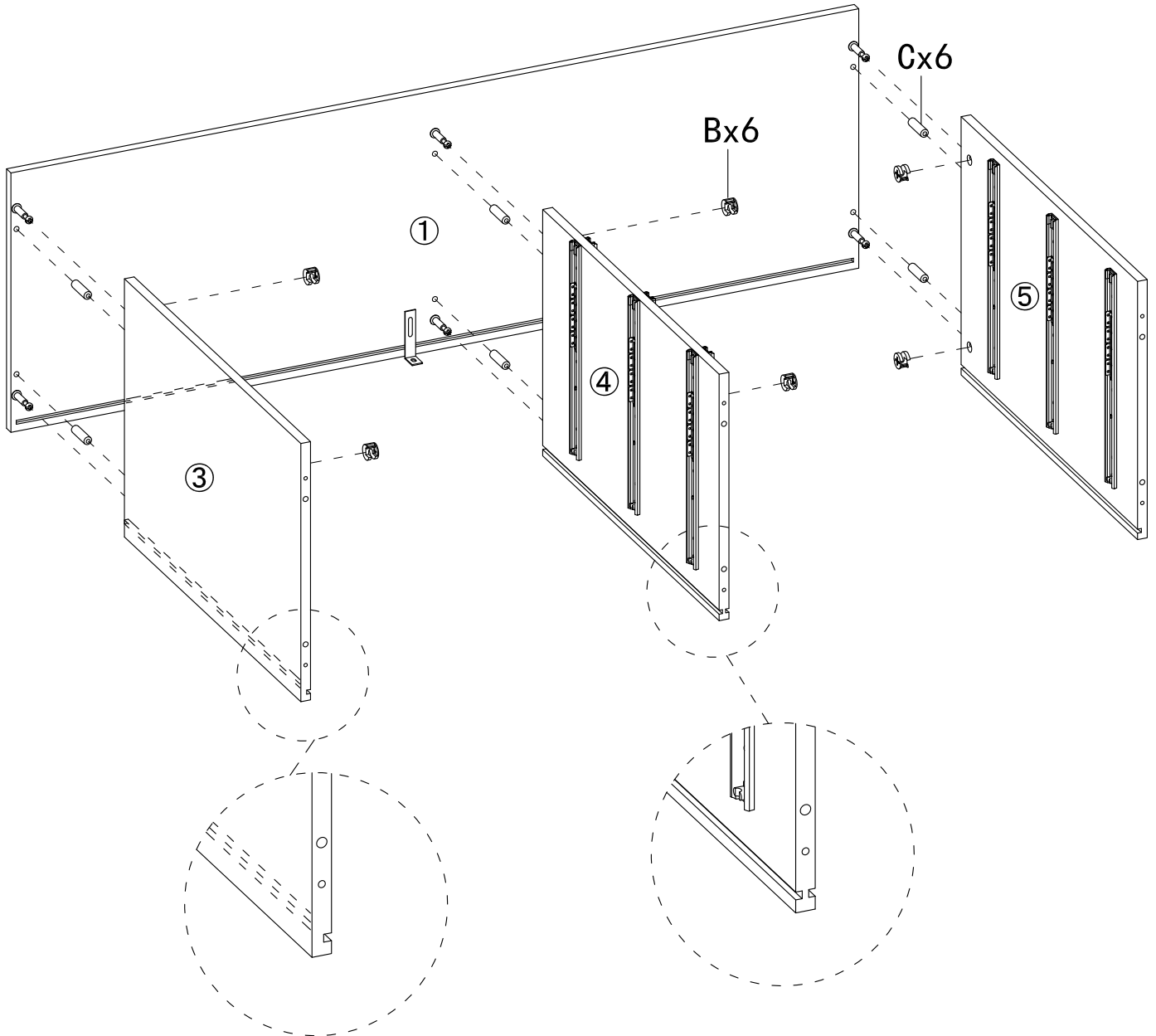
fix sliding rail G to panel 5 with screw E separately.



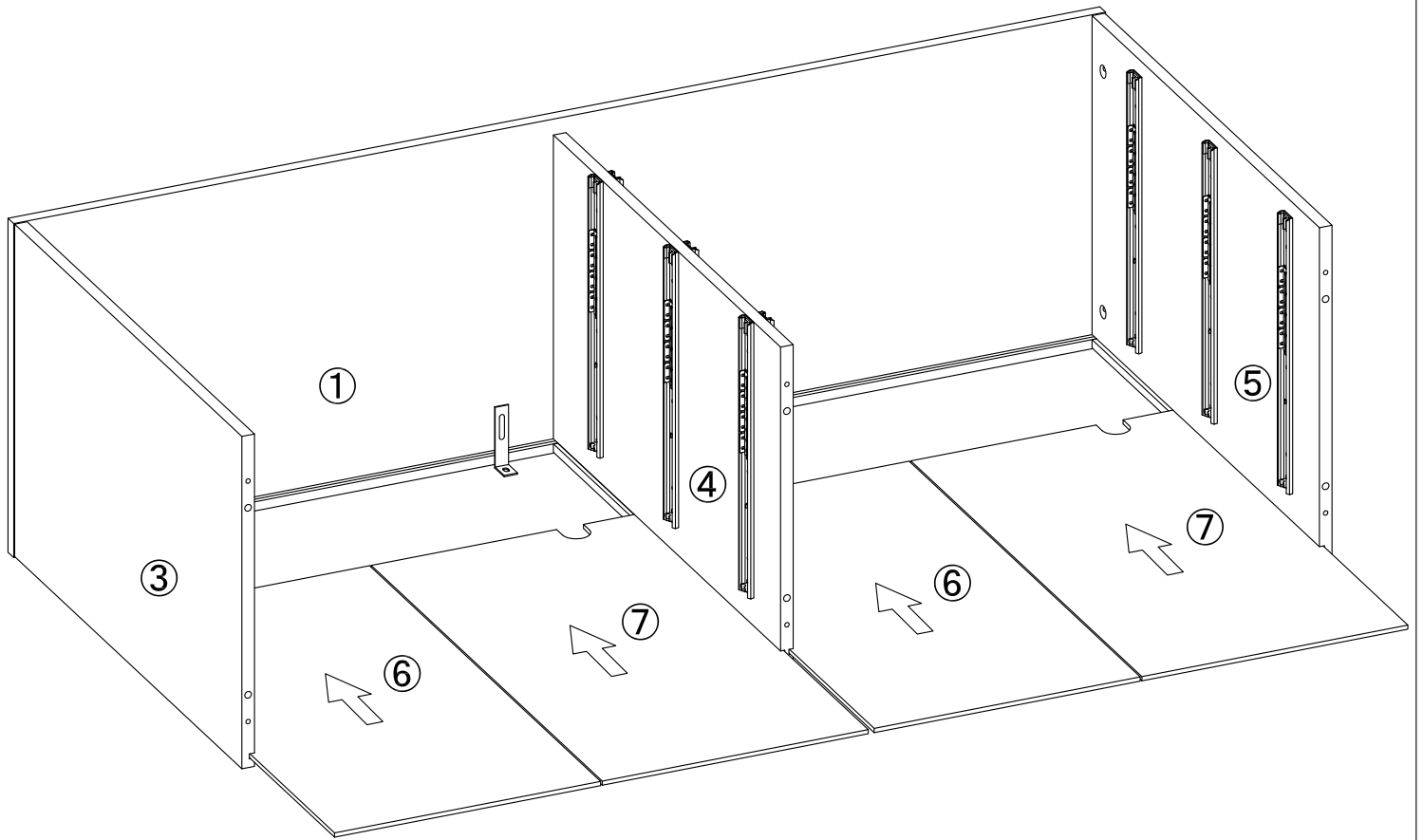
fix sliding rail G to the both sides of panel 4 with screw E



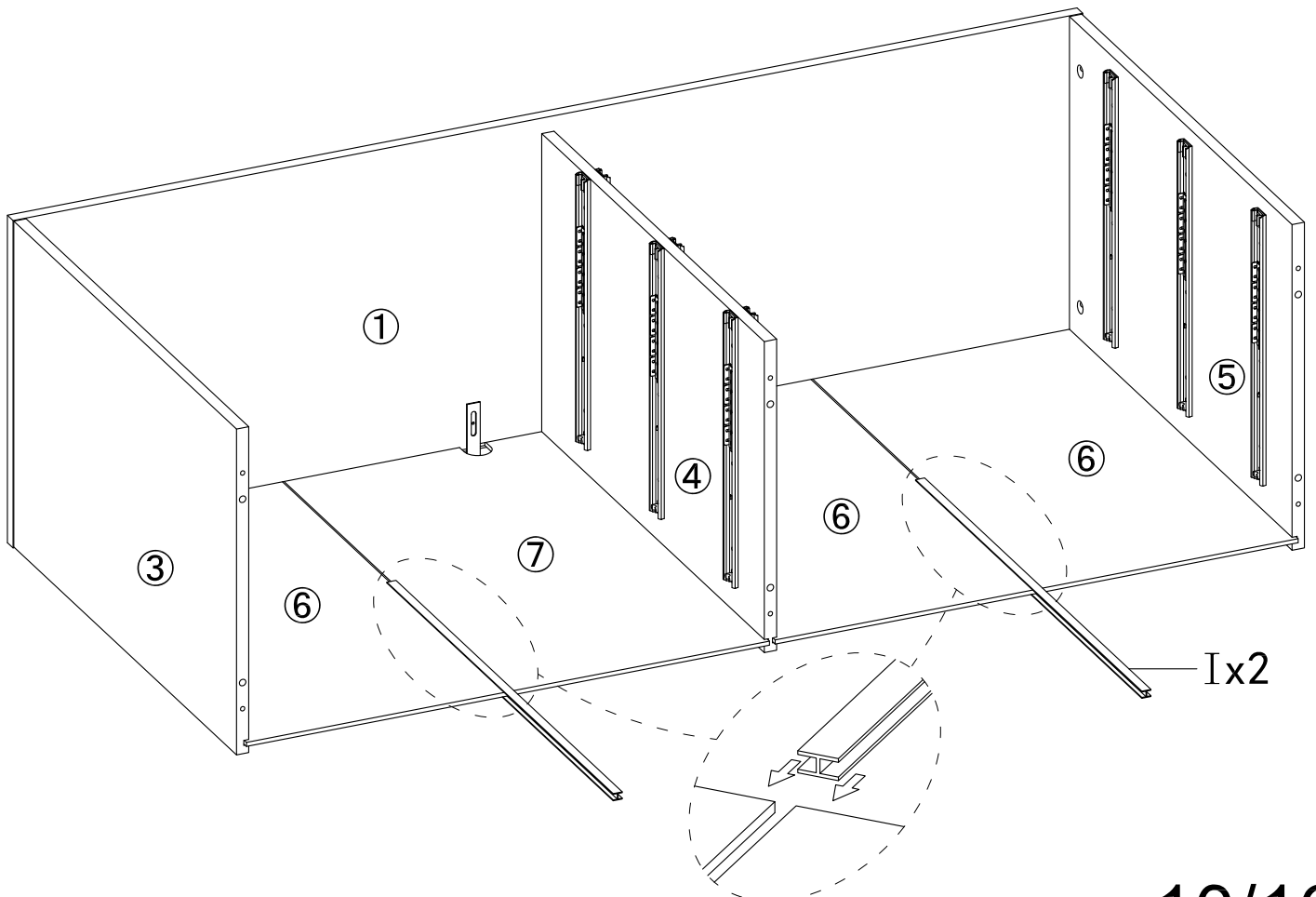
Screw A to panel 1, connect hardware L to panel 1 with screw E
8/16



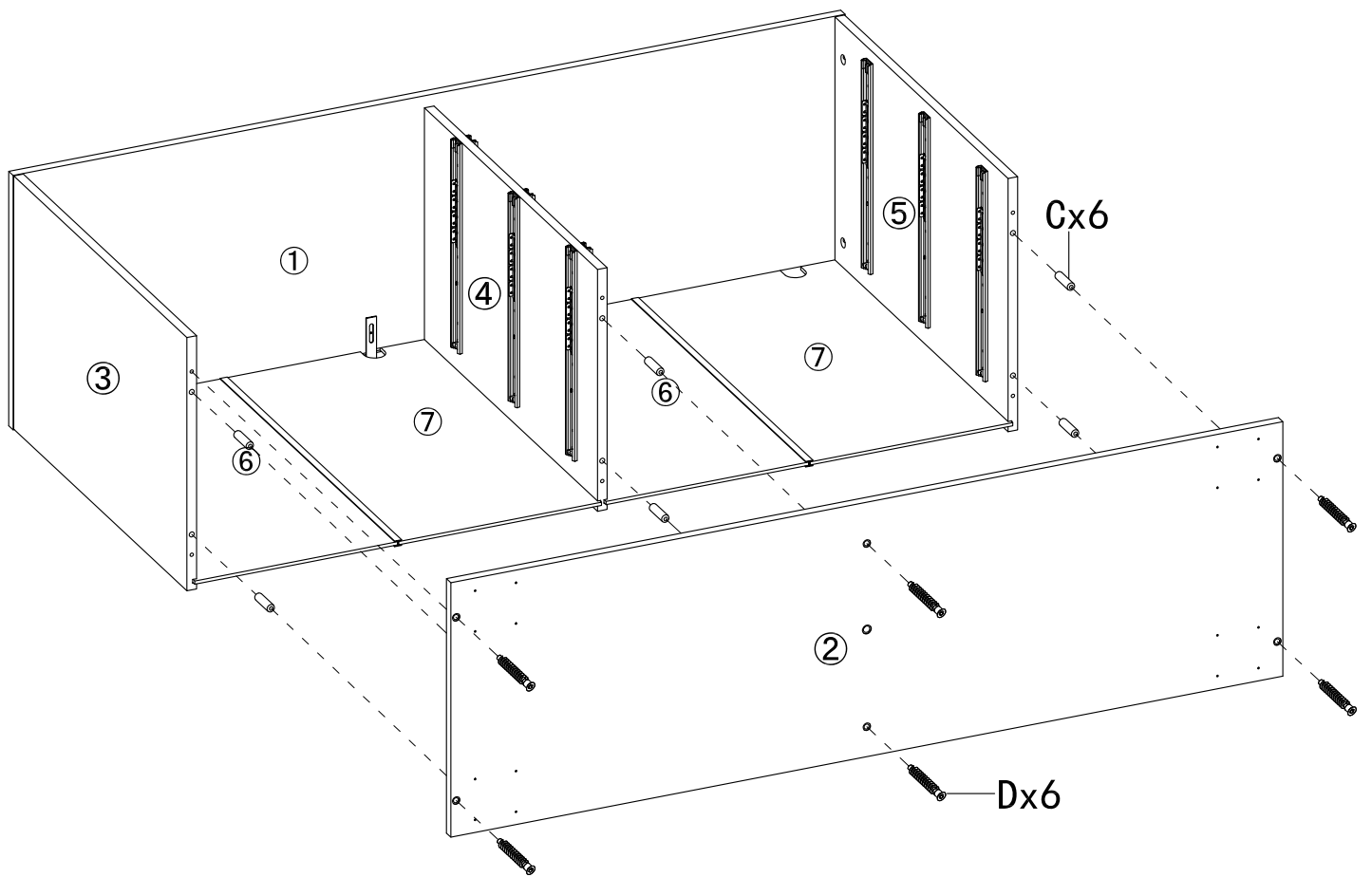
the slot of panels are downward.
connect panel 1 to panel 3 & 4 & 5 with hardware B and C



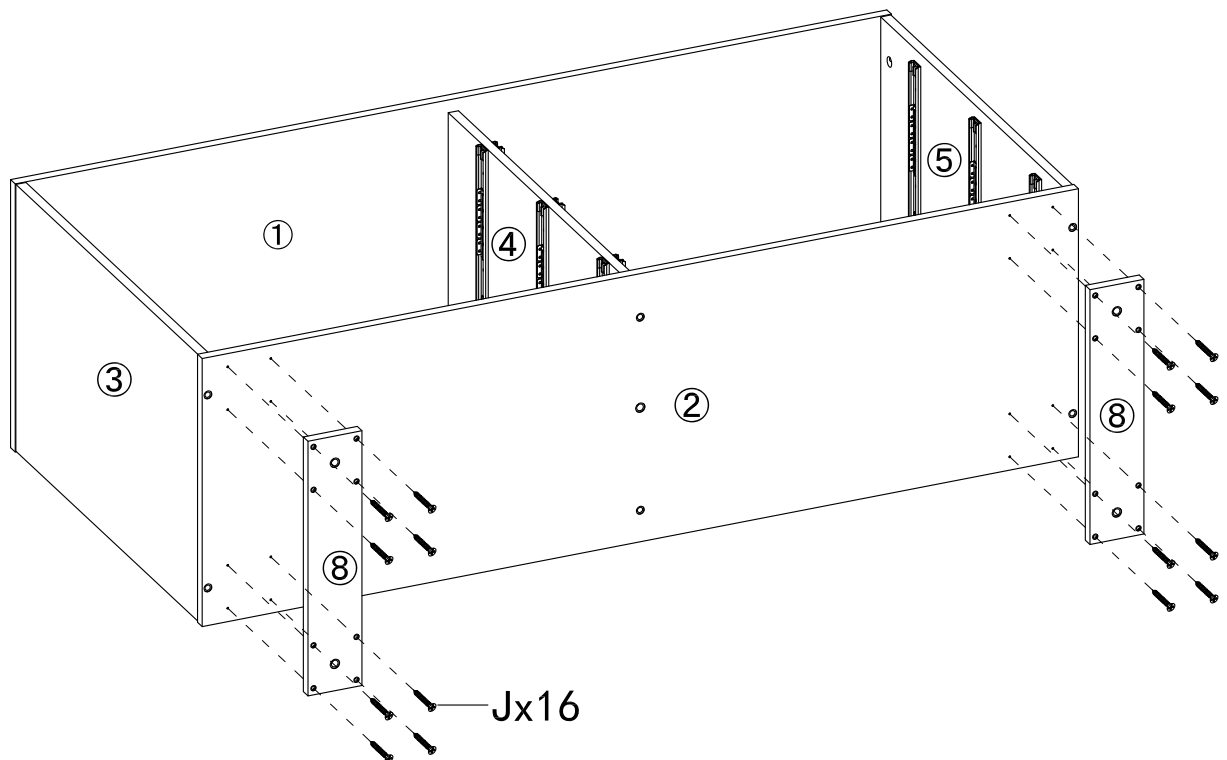
insert panel 6 & 7 along the slots of panel 3 & 4 & 5



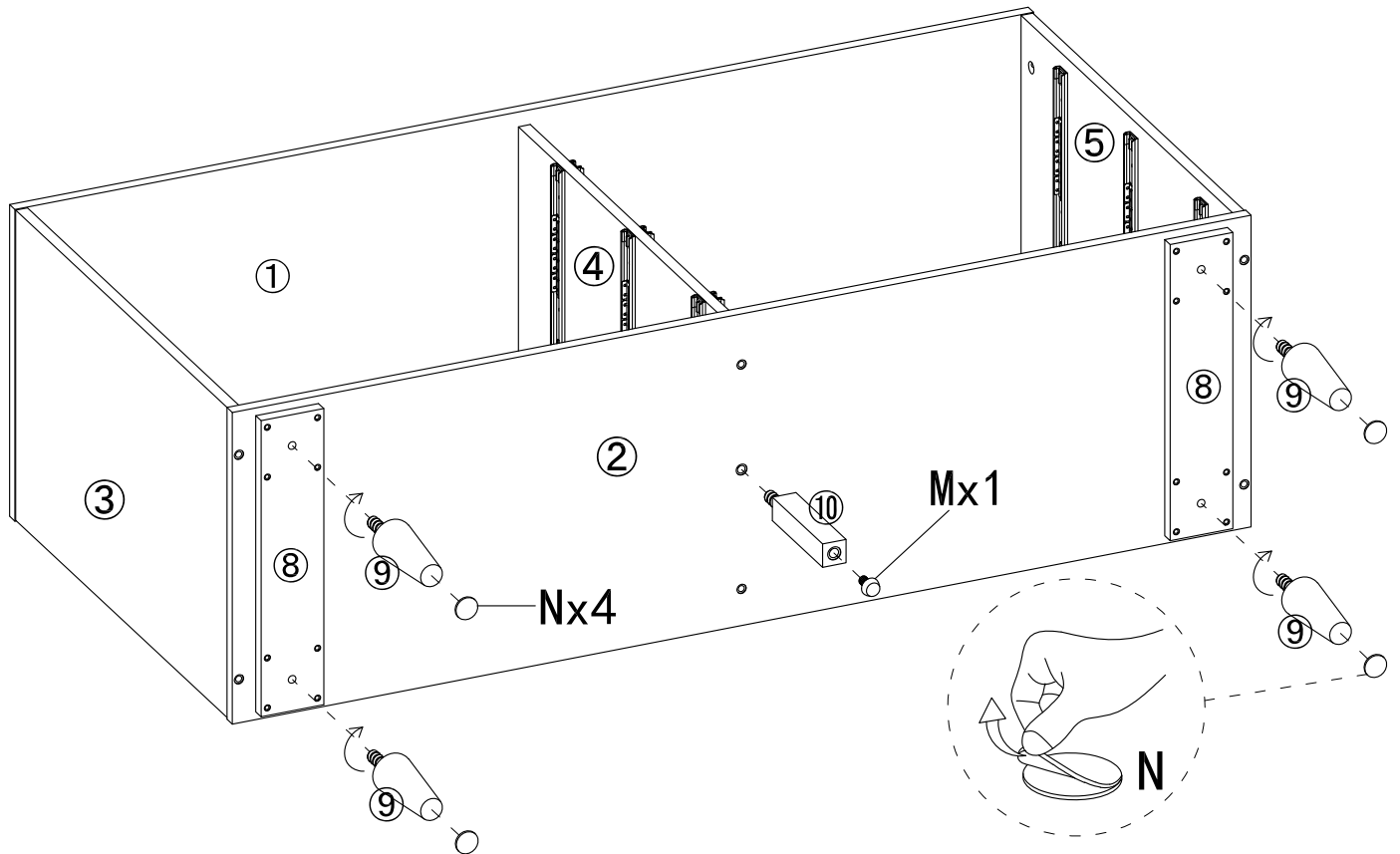
insert hardware I to connect panel 6 & 7



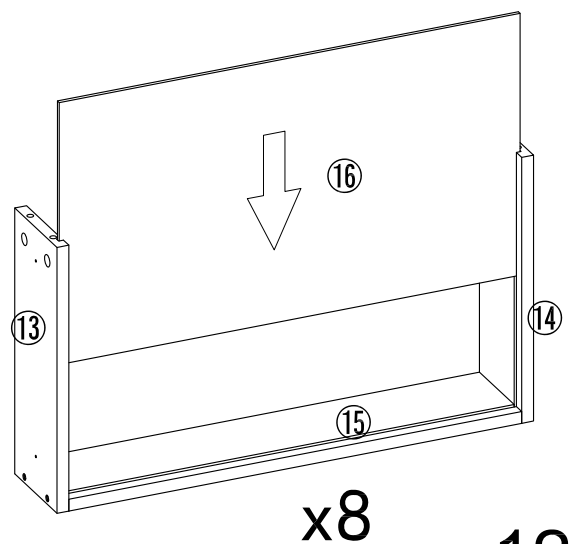
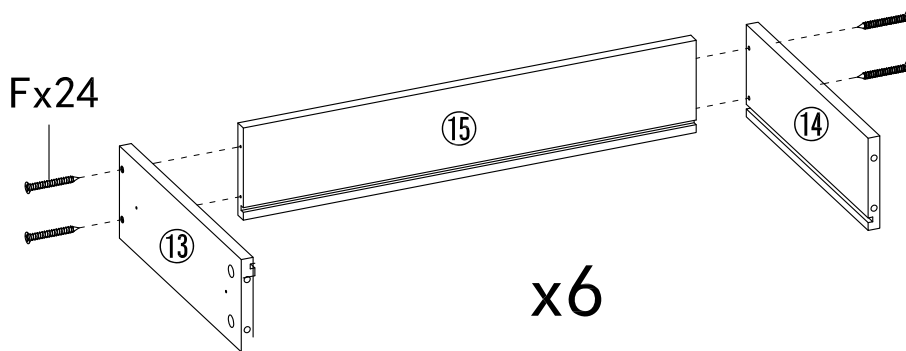
connect panel 2 to panel 3 & 4 & 5 with hardware C and screw D



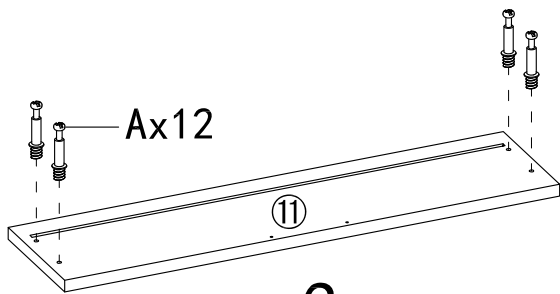
connect panel 8 to panel 2 with screw J



screw hardware 9 to panel 8, and stick hardware N to hardware 9.
 screw hardware 10 to panel 2, then screw M to hardware 10

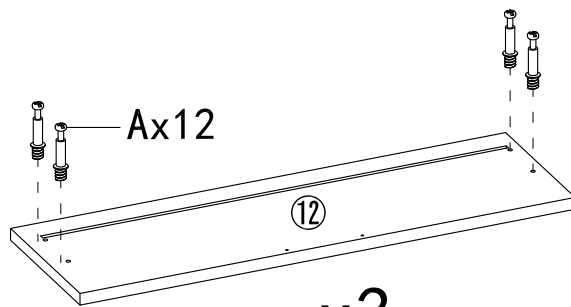


x8



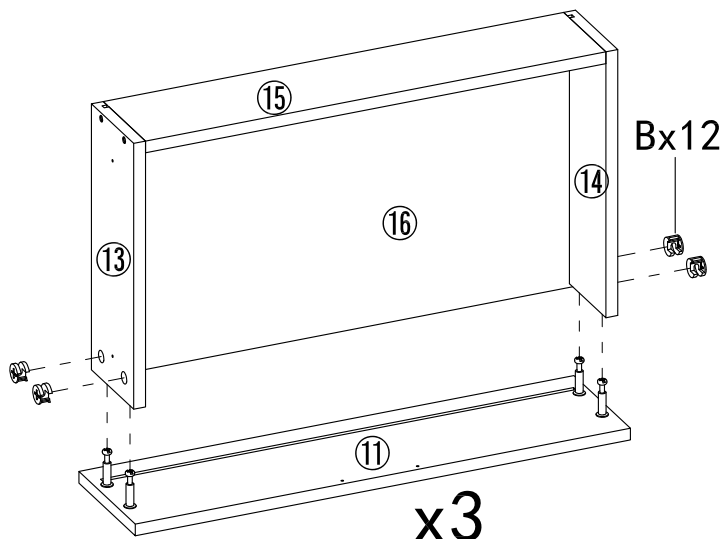
x3

Screw hardware A to panel 11



x3

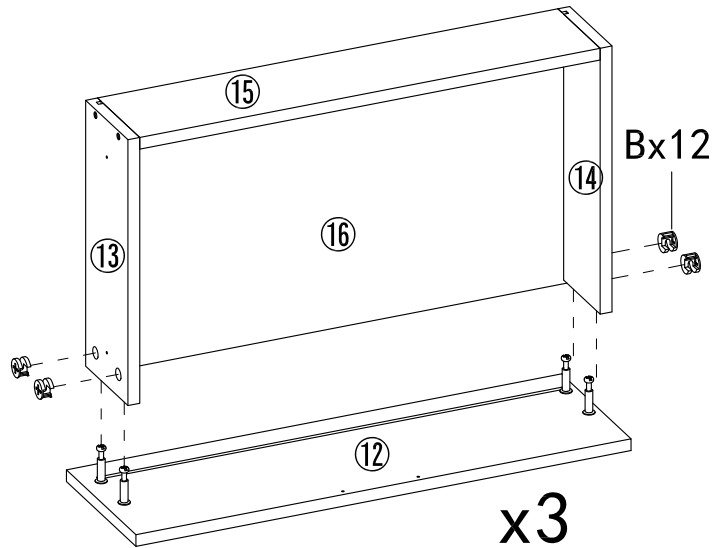
screw hardware A to panel 12



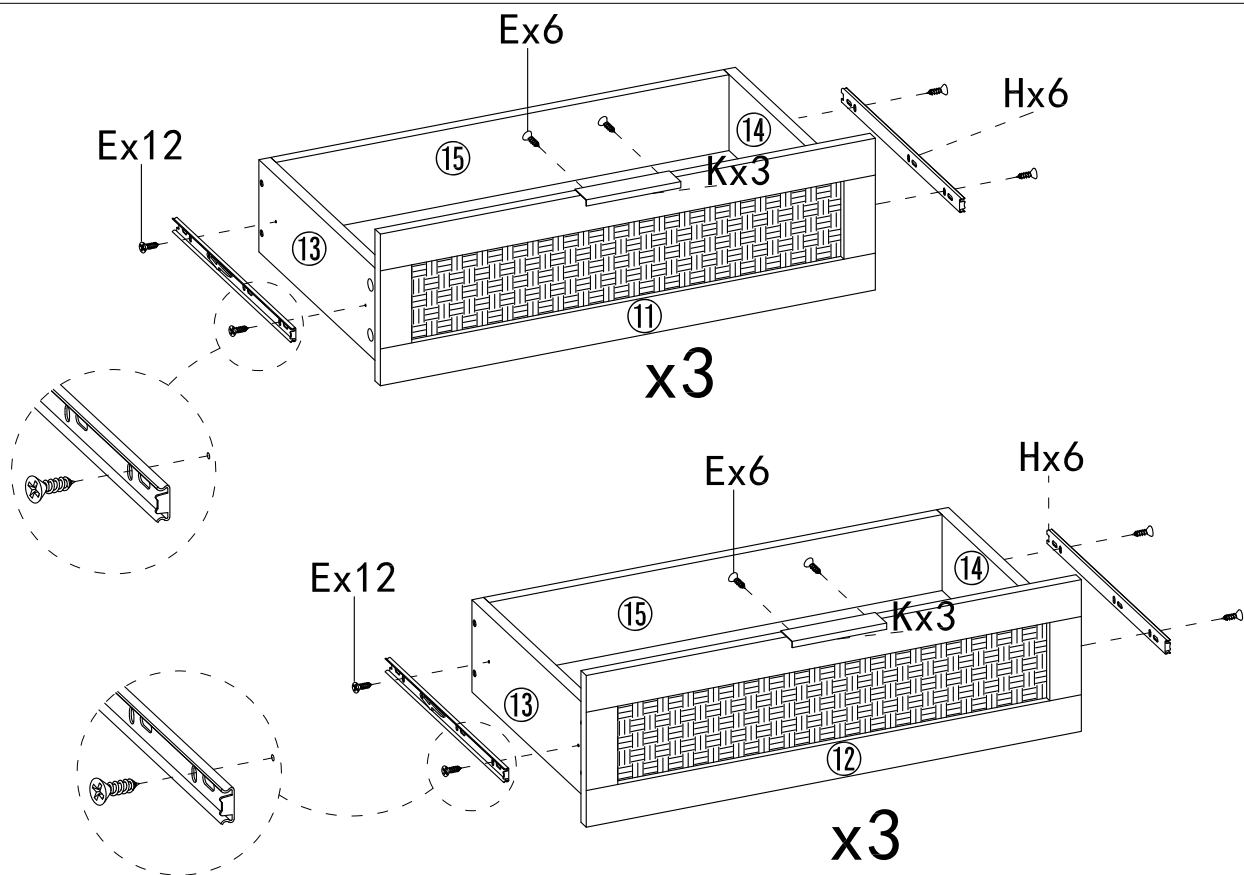
x3

connect panel 11 to panel 13 & 14 with hardware B

connect panel 12 to panel 13 & 14 with hardware B



x3

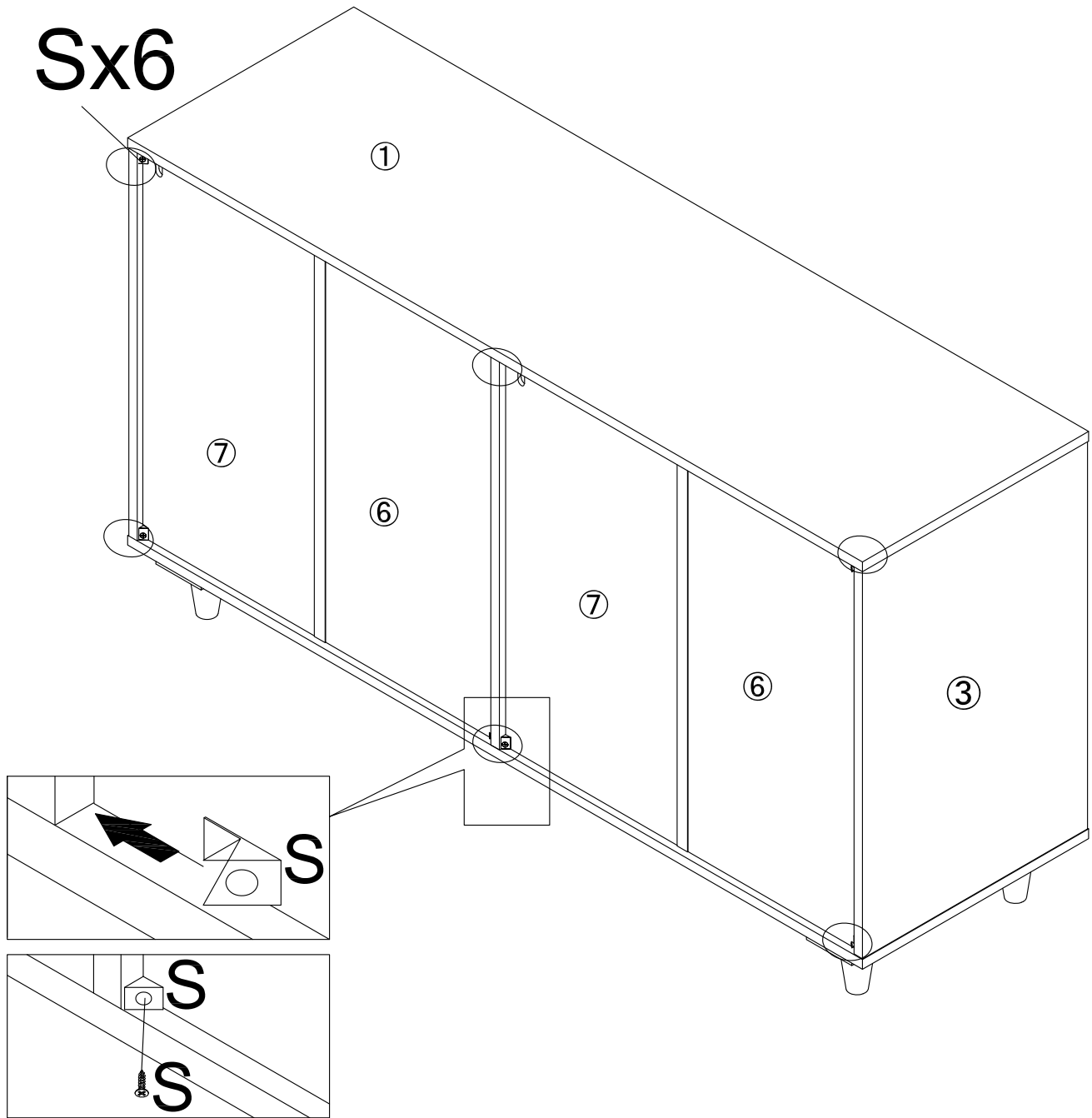


x3

x3

fix handle K to panel 11 & 12 separately

Sx6

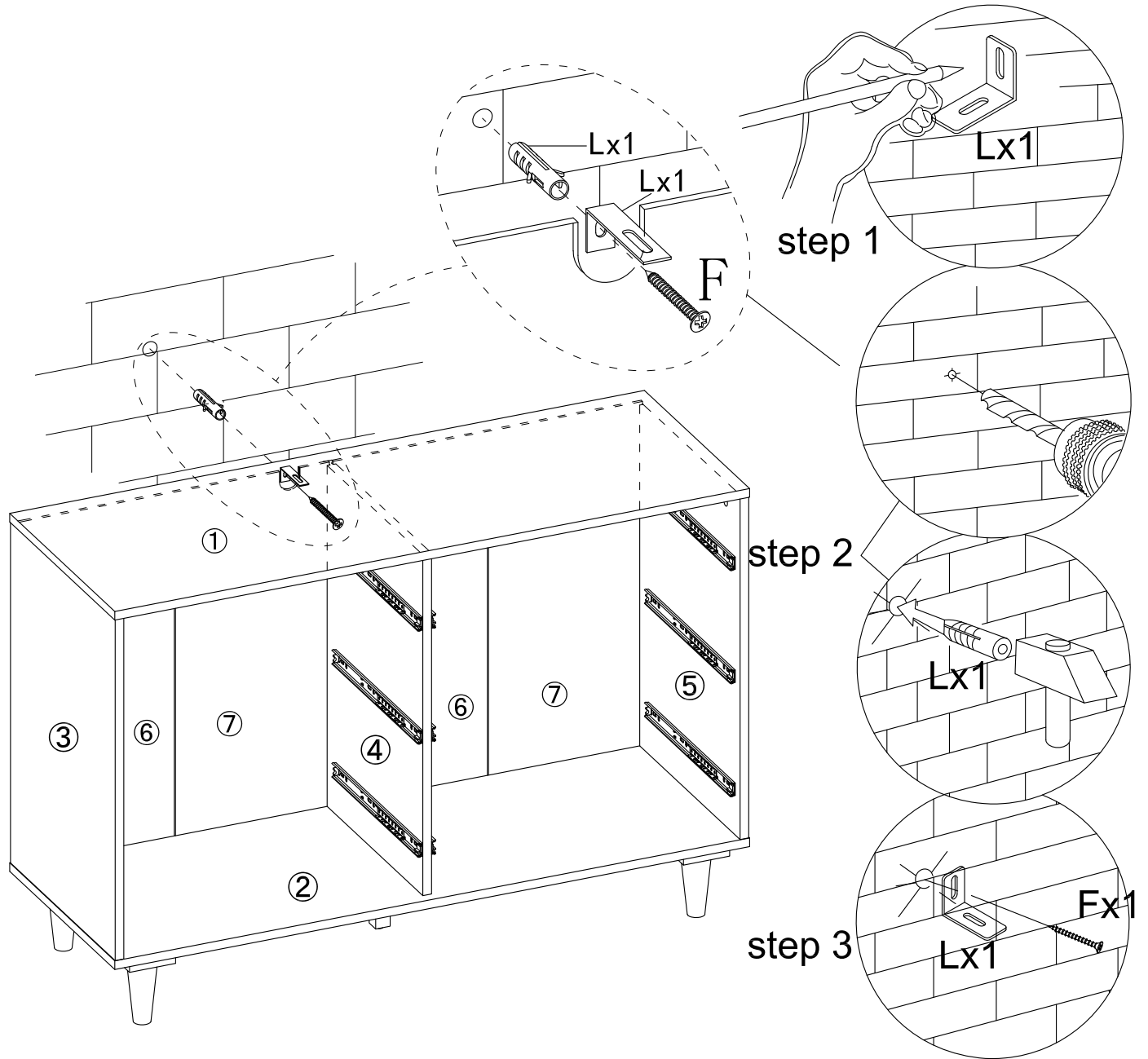


Lock hardware S at the corners of backboard

step 1. Mark the position on the wall

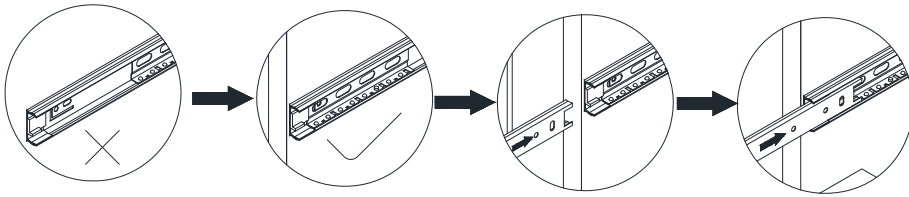
step 2. Drill and insert the expandable screw L by hammer

step 3. Use screw L to attach it and tighten by screwdriver

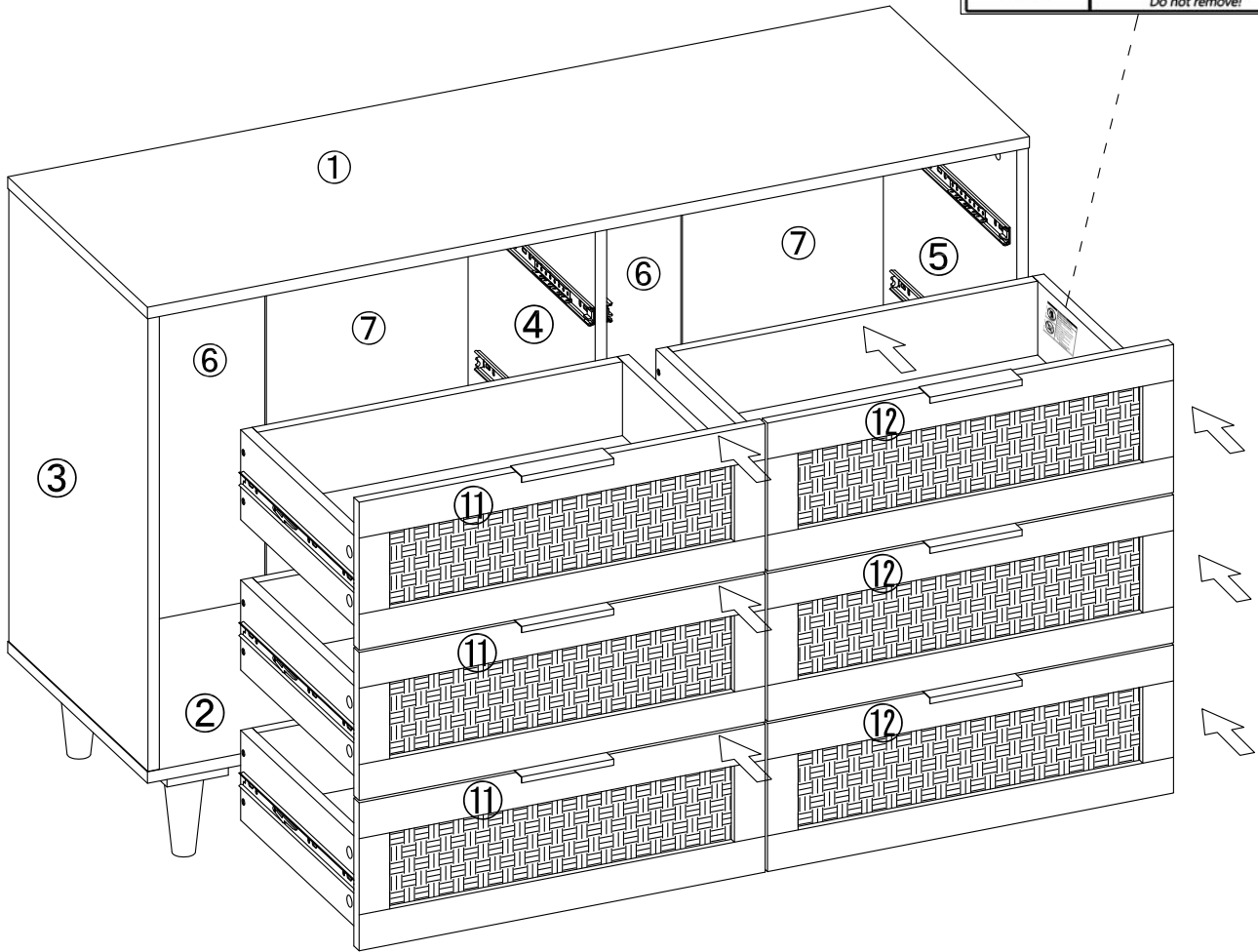


If it is a solid wall, please use expansion and self-tapping screws to secure the cabinet to the wall, if it is a wooden wall, only use self-tapping screws. Please don't overtighten screws.

put drawers to cabinet through connect sliding rail G & H



▲ WARNING	
	Children have died from furniture tipover. To reduce the risk of furniture tipover: <ul style="list-style-type: none">-ALWAYS install Anti-tip device provided.-NEVER put a TV on this product.-NEVER allow children to stand, climb or hang on any drawers, doors, or shelves.-NEVER open more than one drawer at a time.-Place heaviest items in the lowest drawers. <i>This is a permanent label. Do not remove!</i>
	



Drawer with panel 11 must be put on the left, drawer with panle 12 must be put on the right, otherwise, they will be not fix well.