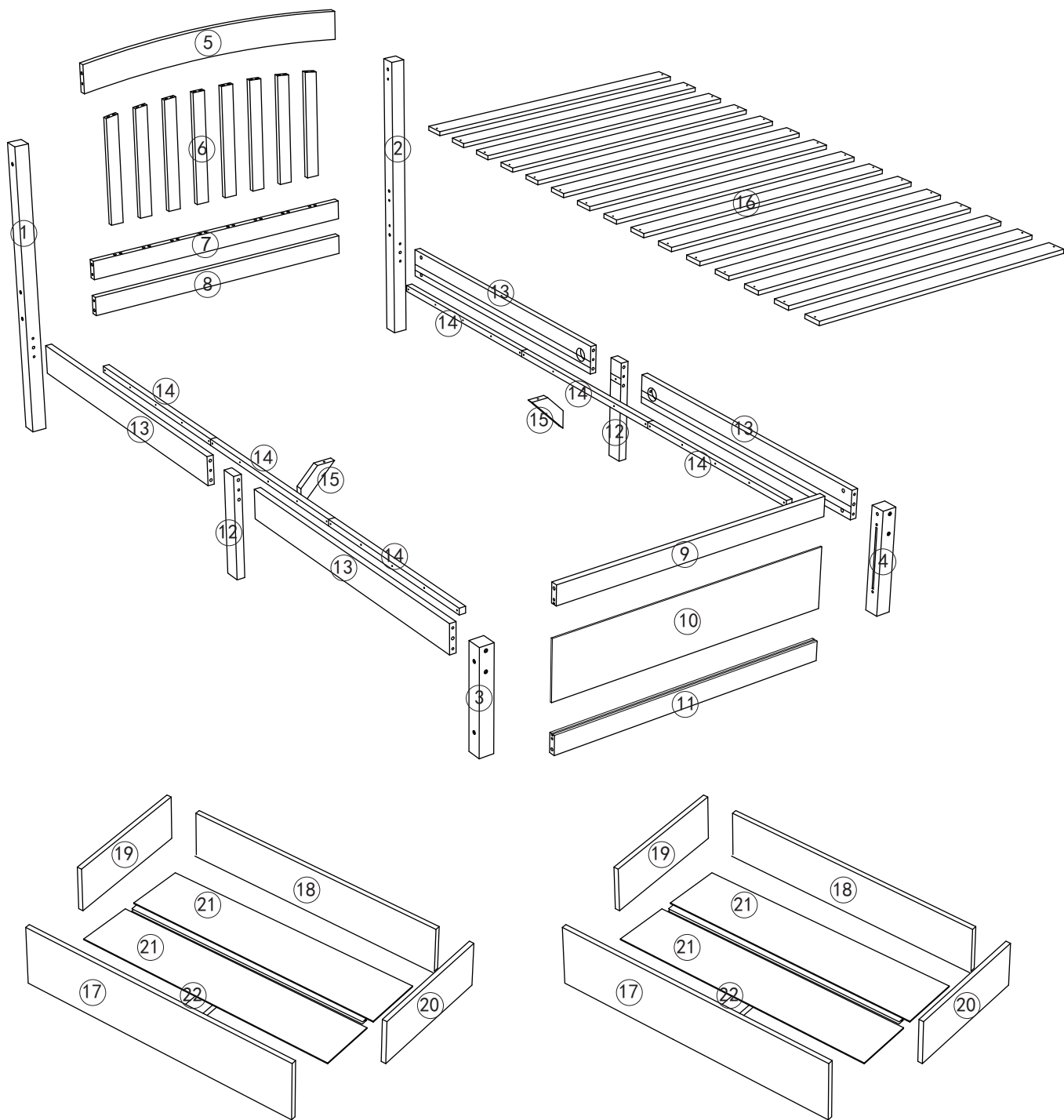




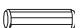
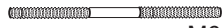




Instruction







WF285313



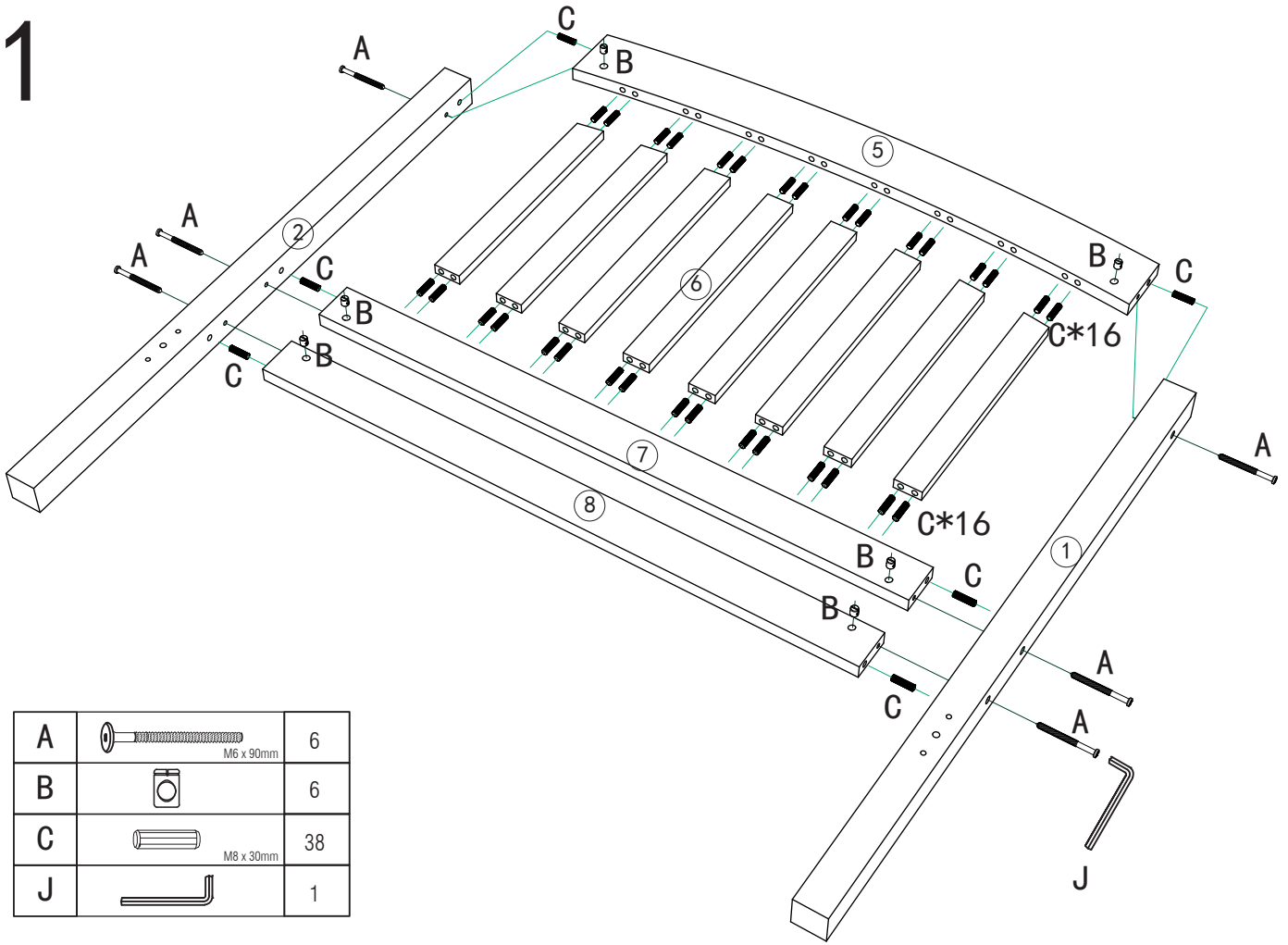
Part List



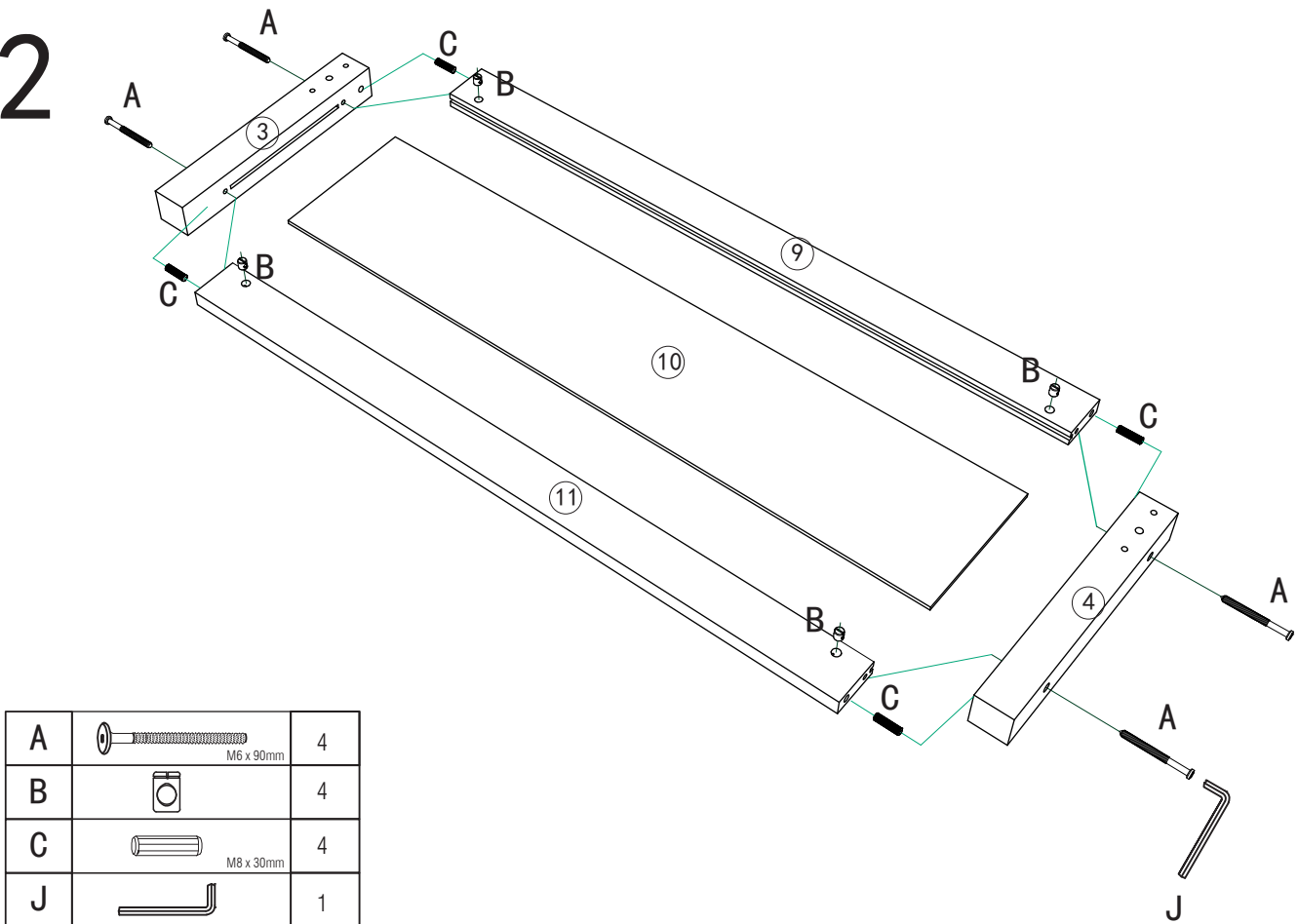
| | | | |
|---|---|------------|----|
| A |  | M6 x 90mm | 18 |
| B |  | | 18 |
| C |  | M8 x 30mm | 62 |
| D |  | M6 x 140mm | 2 |
| E |  | | 4 |
| F |  | | 4 |
| G |  | | 4 |
| H |  | | 12 |

| | | | |
|---|--|-------------|----|
| I |  | | 2 |
| J |  | | 1 |
| K |  | φ4 x 30mm | 76 |
| L |  | φ3.5 x 16mm | 16 |
| M |  | φ25mm | 8 |
| P |  | | 6 |

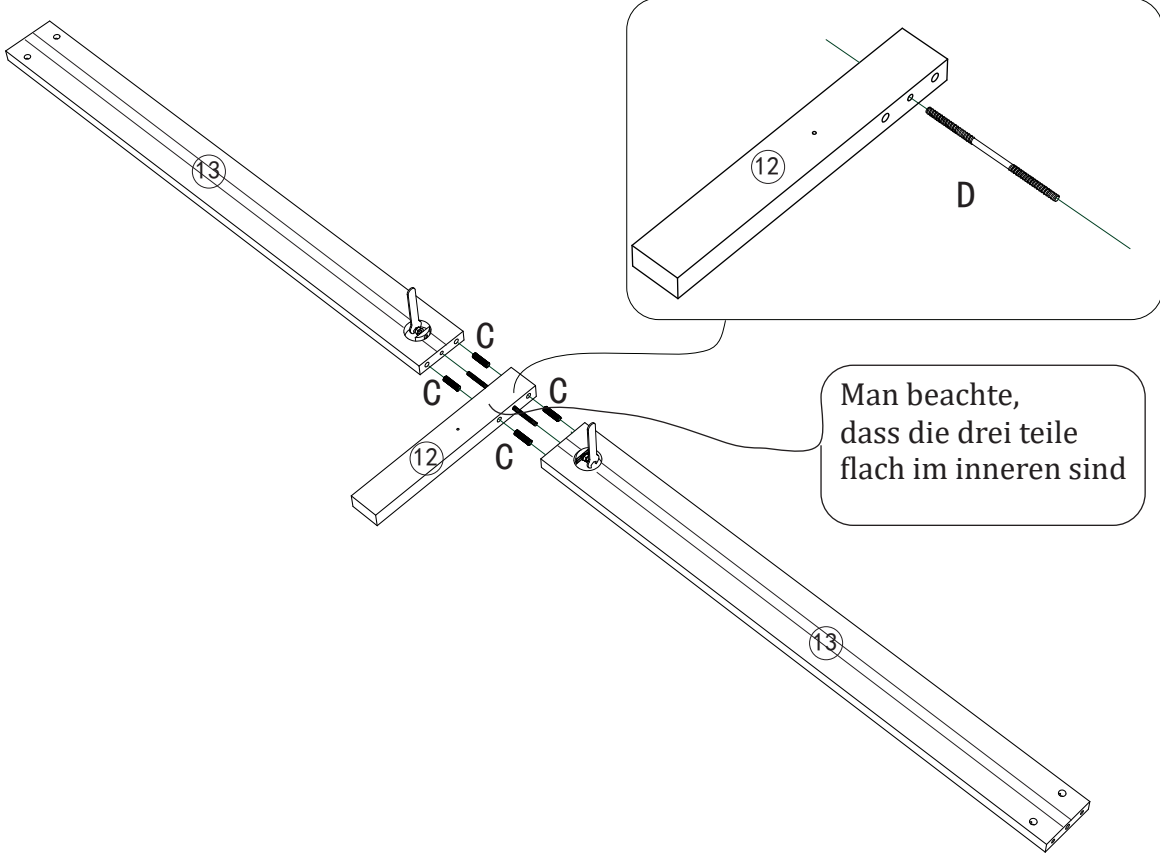
1



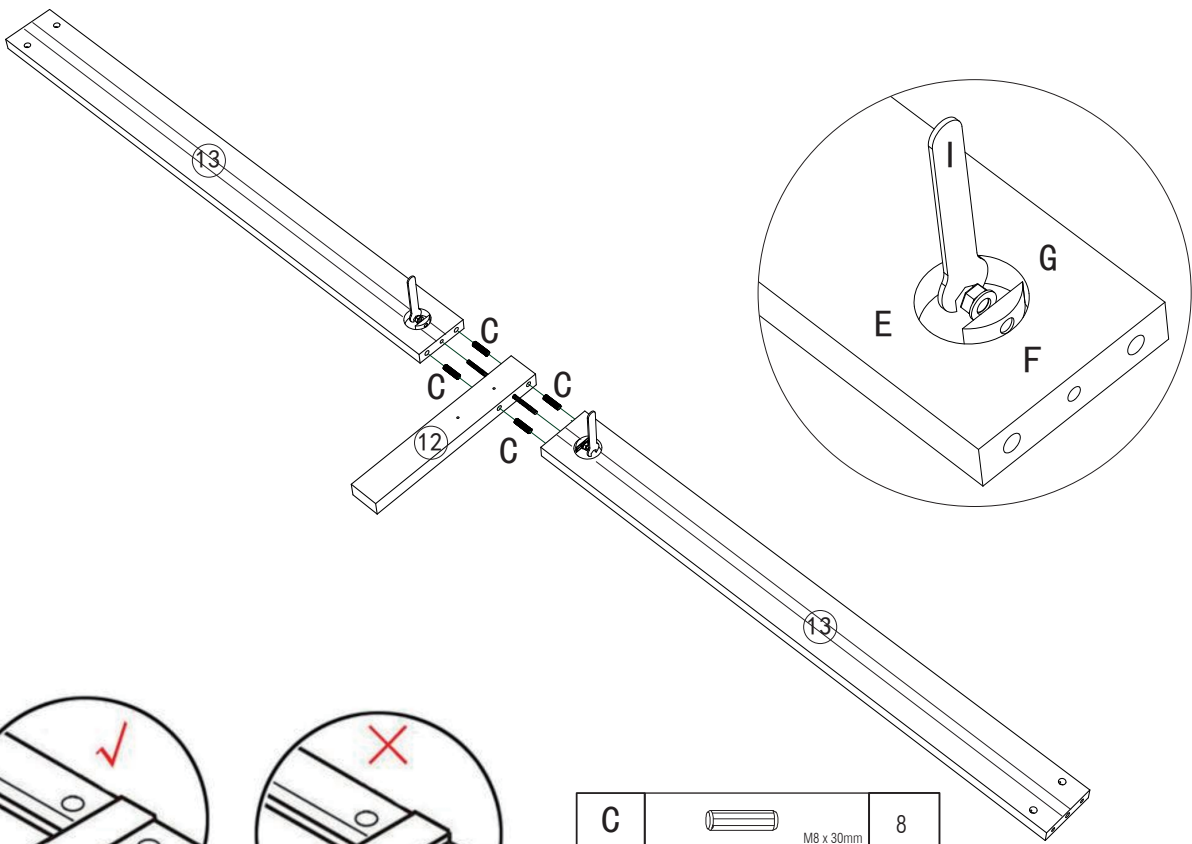
2









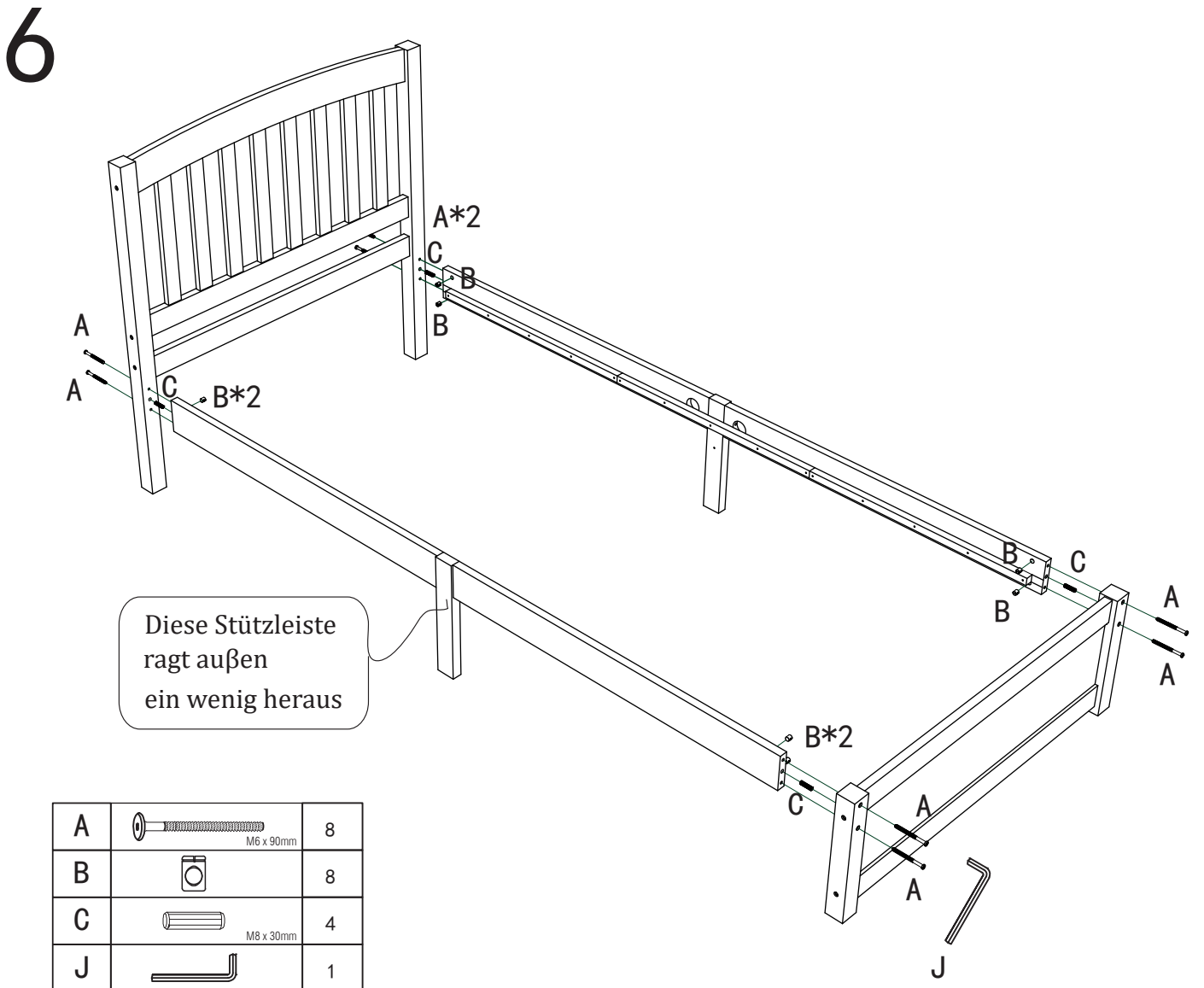
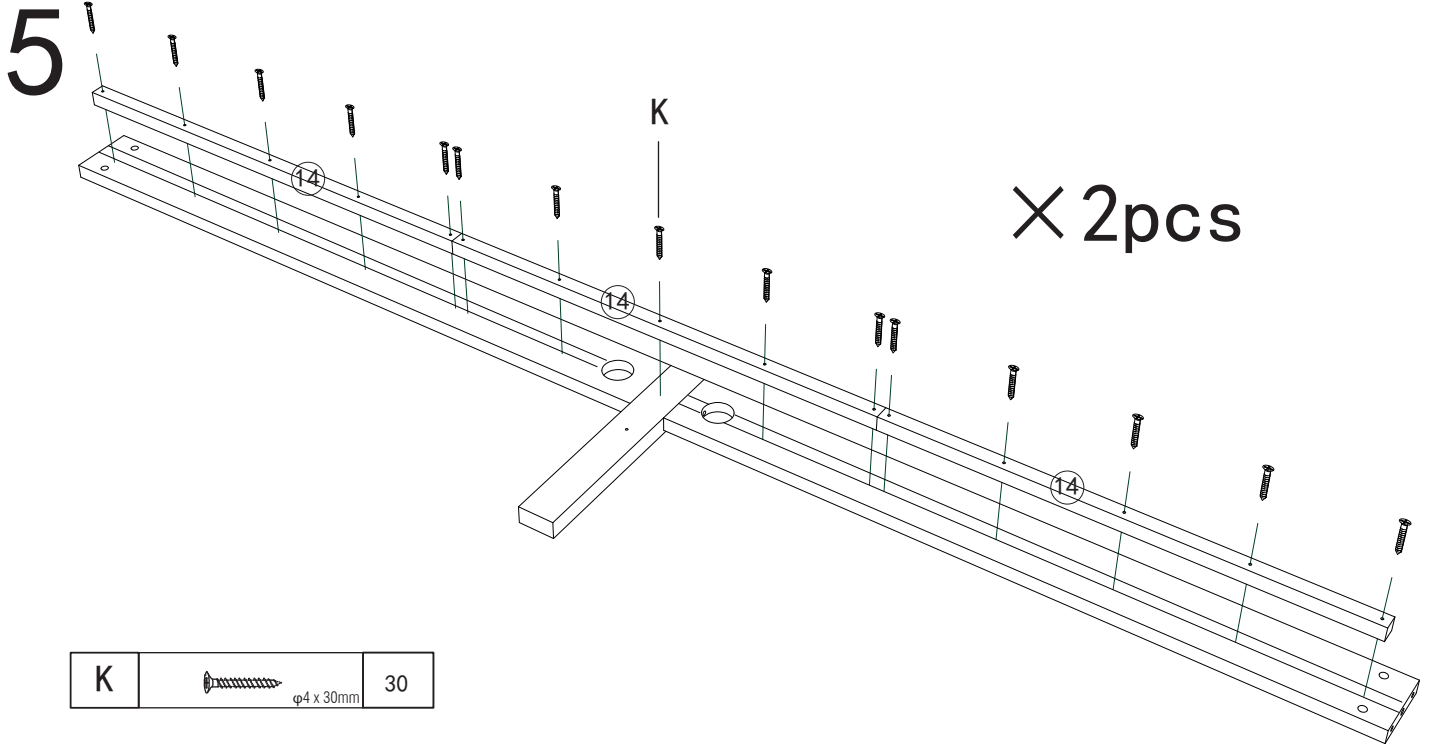
3



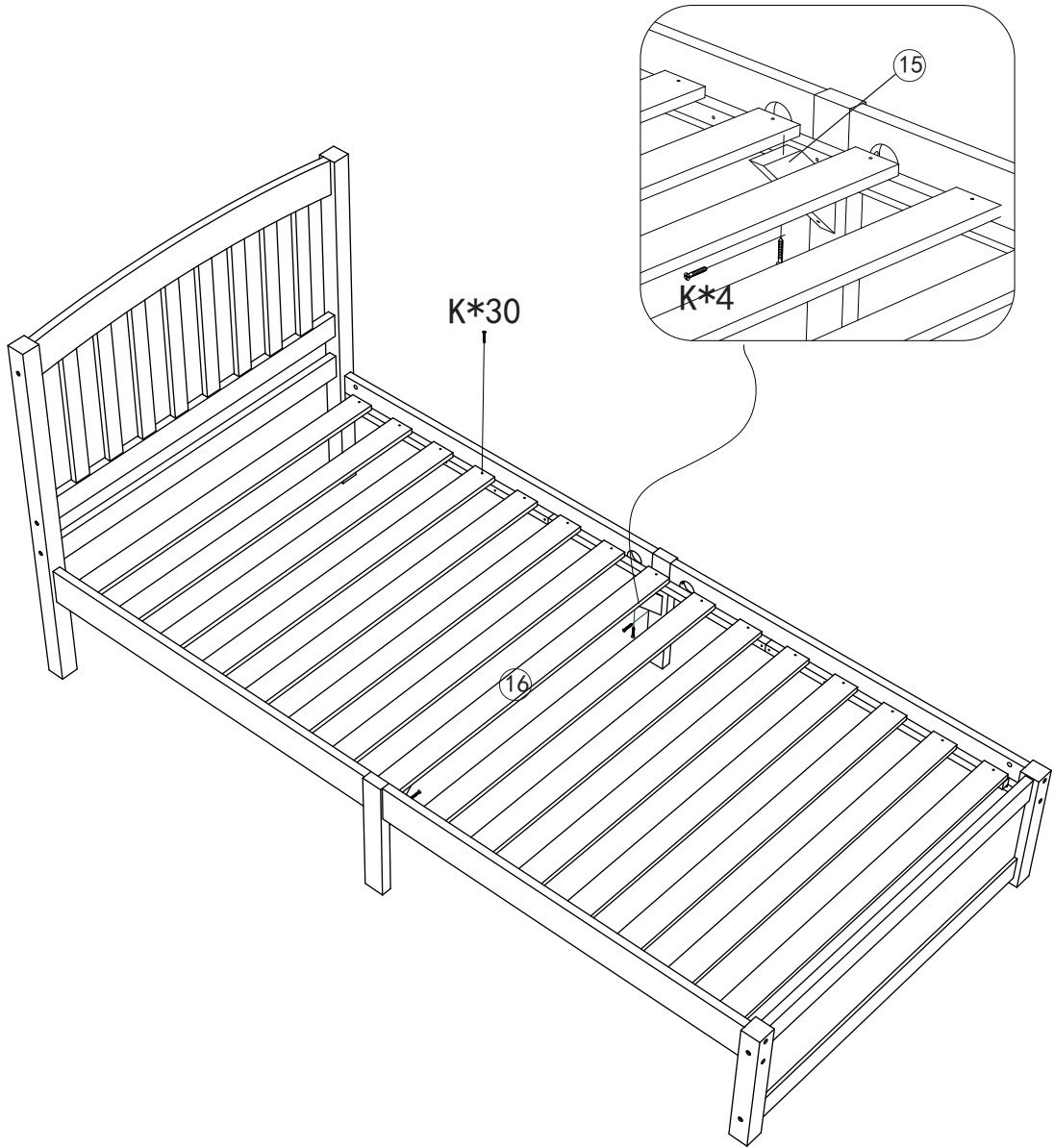
4




| | | |
|---|---|---|
| C |  M8 x 30mm | 8 |
| D |  M6 x 140mm | 2 |
| E |  | 4 |
| F |  | 4 |
| G |  | 4 |
| I |  | 2 |

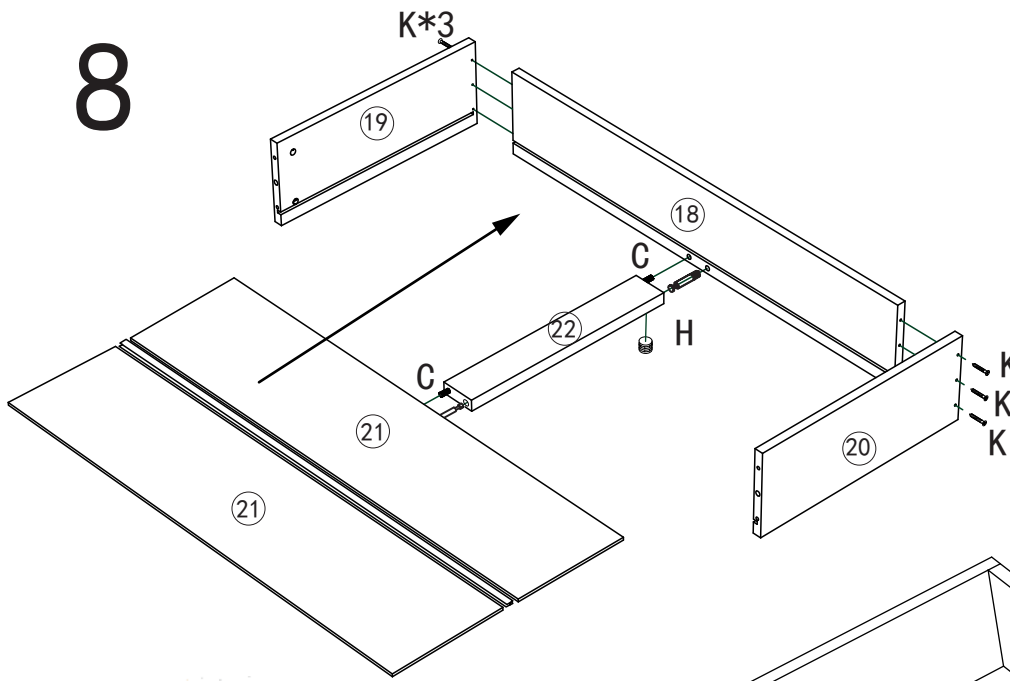


7



| | | |
|---|--|----|
| K |  $\varnothing 4 \times 30\text{mm}$ | 34 |
|---|--|----|

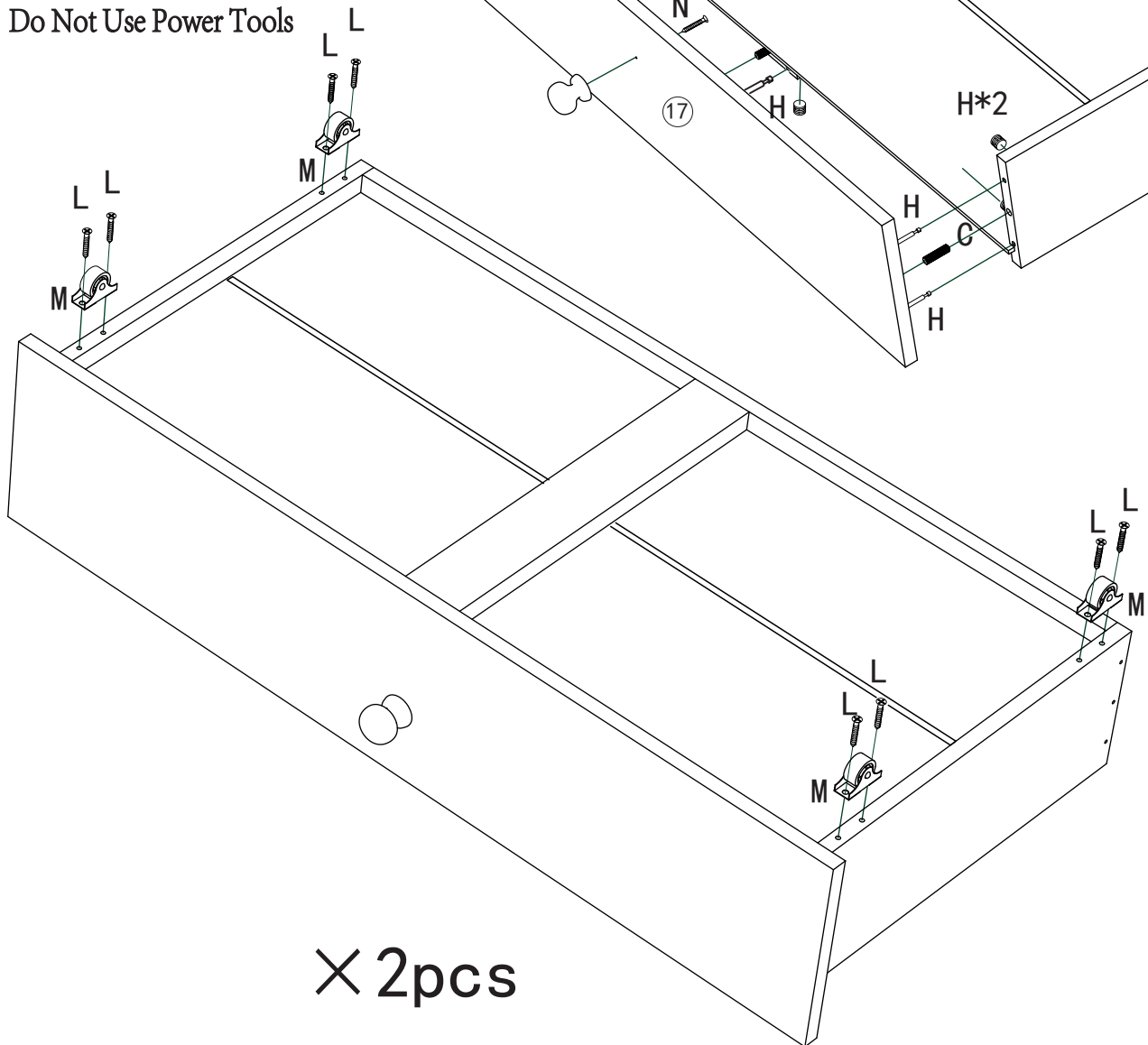
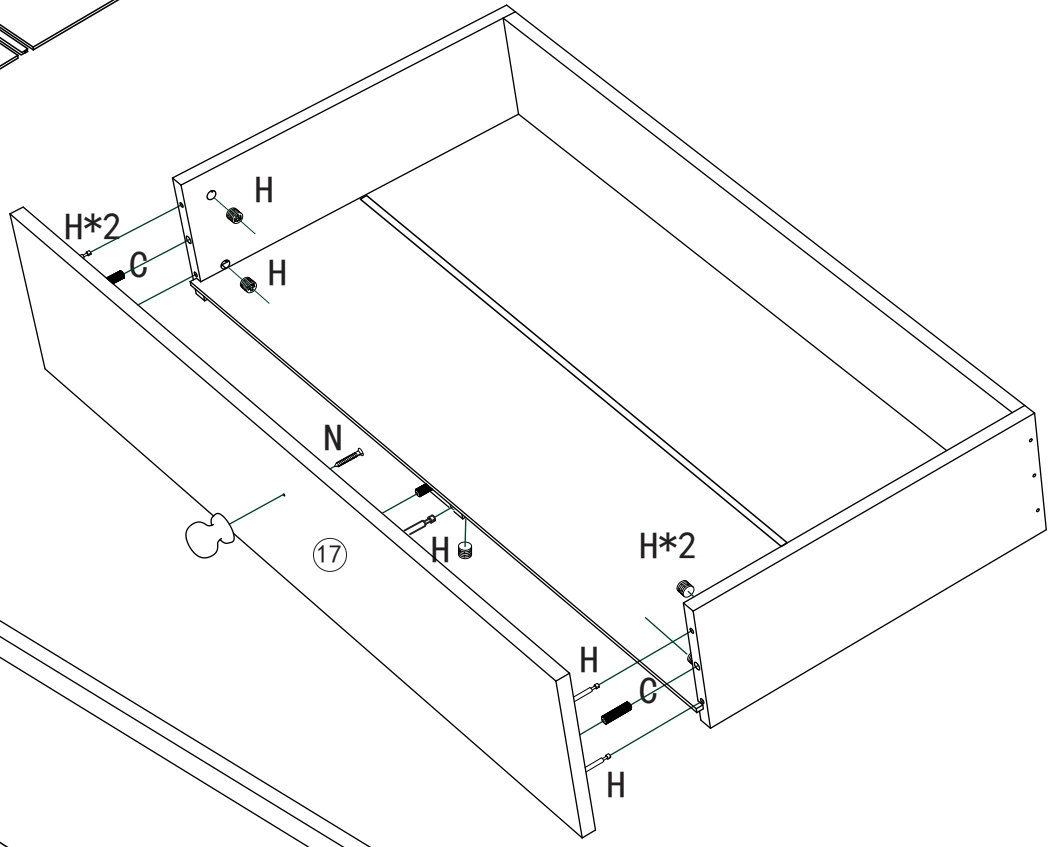
8



| | | |
|---|-------------------------------|----|
| C | M8 x 30mm | 8 |
| H | 4mm | 12 |
| K | $\phi 4 \times 30\text{mm}$ | 12 |
| L | $\phi 3.5 \times 16\text{mm}$ | 16 |
| M | $\phi 25\text{mm}$ | 8 |
| N | 2mm | 2 |

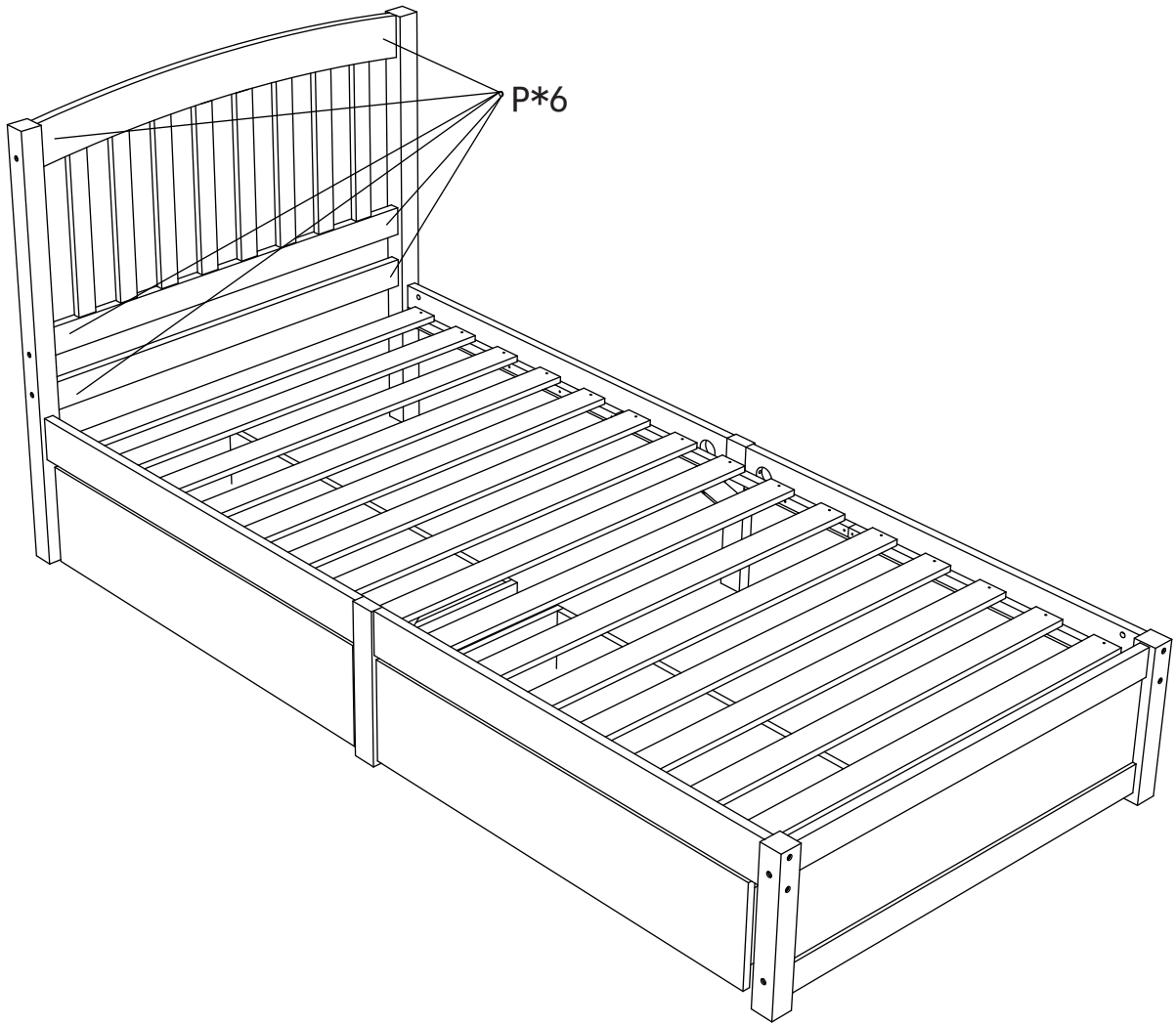



Do Not Use Power Tools



× 2pcs

9



| | | |
|---|---|---|
| P |  | 6 |
|---|---|---|